

MANDAKO



REDDI-LYNX

OPERATORS MANUAL

LIMITED WARRANTY:

Mandako Agri Marketing (2010) Ltd. ("MANDAKO") warrants for a period of one (1) year from the date of delivery to the purchaser that any new machinery purchased from MANDAKO (the "Product") will be free of manufacturing and materials defects (the "Covered Defects"). Before using the Product, the purchaser shall determine the suitability of the Product for its intended use. This Limited Warranty is non-transferable and valid to the purchaser of the Product only.

Except for the Covered Defects, this Limited Warranty shall not apply to any other defects or problems in the Product, including without limitation: (i) alterations, changes, replacements or repairs to the Product made by anyone other than MANDAKO or MANDAKO authorized Dealers; (ii) accessories, attachments, tools or parts sold or operated with the Product, if they have not been manufactured by MANDAKO; (iii) application or installation of accessories, attachments, tools or parts not completed in accordance with MANDAKO's operator's manual, specifications or printed instructions; (iv) defects or problems caused by misuse, abuse, neglect, improper testing, improper storage, improper handling or abnormal conditions; and (v) defects caused by wear and tear from ordinary use of the Product.

During the one (1) year warranty period, provided that written notice of the Covered Defects is given to MANDAKO within seven (7) days from the date that the defect was, or ought to have been, discovered, the liability of MANDAKO under this Limited Warranty shall be limited to the repair or replacement of any defective Product. For clarity, the purchaser shall be responsible for all expenses incurred as a result of any repairs, labour, parts, transportation or any other work, unless MANDAKO has otherwise authorized reimbursement of such expenses. In order to obtain repair or replacement, the written notice provided by the purchaser must contain full details of the Covered Defects and submitted online at www.mandako.com/warranty-claim or be sent to:

Mandako
Box 379, 12159B, Hwy 306
Plum Coulee, Manitoba, R0G 1R0

MANDAKO reserves the right to inspect the defective Product prior to repair or replacement. If MANDAKO determines that a defect in the Product is not a Covered Defect, it shall not have any obligation to repair or replace the Product.

No one is authorized to make oral warranties or representations on behalf of MANDAKO regarding the Product. The Product is subject to design changes and MANDAKO shall not be required to retro-fit or exchange items on previously sold Product, except at its own option.

THIS LIMITED WARRANTY IS DEEMED ACCEPTED BY YOU UPON YOUR PURCHASE OF THE PRODUCT. TO THE EXTENT PERMITTED BY LAW, THIS LIMITED WARRANTY IS EXCLUSIVE, AND IN LIEU OF ANY AND ALL OTHER WARRANTIES, CONDITIONS OR REPRESENTATIONS RESPECTING THE PRODUCT, EITHER EXPRESS OR IMPLIED, INCLUDING WITHOUT LIMITATION, ANY IMPLIED WARRANTIES OF MERCHANTABILITY, FITNESS FOR A PARTICULAR PURPOSE, NON-INFRINGEMENT, SUITABILITY, OR ANY OTHER WARRANTIES, REPRESENTATIONS OR CONDITIONS THAT MAY ARISE FROM USAGE OF TRADE OR COURSE OF DEALING.

MANDAKO'S OBLIGATION SHALL NOT EXTEND BEYOND THE OBLIGATIONS EXPRESSLY UNDERTAKEN ABOVE AND IN NO EVENT SHALL MANDAKO OR ITS SUPPLIERS, AGENTS, OFFICERS, DIRECTORS, CONTRACTORS AND EMPLOYEES BE LIABLE TO THE PURCHASER OR ANY THIRD PARTY FOR ANY INDIRECT, PUNITIVE, EXEMPLARY, INCIDENTAL, SPECIAL OR CONSEQUENTIAL DAMAGES OR LOSSES (INCLUDING, WITHOUT LIMITATION, DAMAGES FOR LOSS OF BUSINESS, LOSS OF PROFITS OR SALES, BUSINESS INTERRUPTION, LOSS OF BUSINESS INFORMATION, LOSS OF GOODWILL, WORK STOPPAGE, COMPUTER FAILURE OR MALFUNCTION OR ANY OTHER PECUNIARY LOSS OR COMMERCIAL DAMAGE OR LOSS) ARISING FROM ANY CLAIM WHATSOEVER, INCLUDING ANY TORT, EQUITY, NEGLIGENCE, GROSS NEGLIGENCE, WILFUL MISCONDUCT OR STRICT LIABILITY CLAIM, EVEN IF MANDAKO HAS BEEN ADVISED OF THE POSSIBILITY OF SUCH DAMAGES OR LOSSES OR THEY ARE FORESEEABLE. THE PURCHASER WAIVES ANY CLAIM AGAINST MANDAKO FOR PUNITIVE OR EXEMPLARY DAMAGES.

**WARRANTY VOID IF NOT REGISTERED
PLEASE REGISTER AT www.mandako.com/registration**

Table of Contents

Section 1: INTRODUCTION	1
1.1 Serial Number Location	1
Section 2: SAFETY	3
2.1 Safety Orientation	4
2.2 General Safety	4
2.3 Equipment Safety Guidelines	5
2.4 Safety Decals	5
2.4.1 General Information	5
2.4.2 How to Install Safety Decals	5
2.5 Safety Training	6
2.6 Preparation	6
2.7 Operating Safety	7
2.8 Maintenance Safety	8
2.9 Storage Safety	8
2.10 Transport Safety	8
2.11 Safety Decals	9
2.12 Safety Decal Locations	10
Section 3: OPERATION	13
3.1 Machine Components	14
3.2 Machine Break-In	15
3.2.1 After operating for 1/2 hour	15
3.2.2 After 5 hours and 10 hours of operation:	15
3.3 Pre-Operation Checklist	15
3.4 Equipment matching	16
3.5 Attaching / Unhooking	17
3.5.1 Attaching a REDDI-LYNX	17
3.6 Transport to Field Conversion	19
3.7 Field Operation	20
3.7.1 Starting	20
3.7.2 Stopping	20
3.7.3 Roller Weight	20
3.7.4 Ballasting	20
3.7.5 Soil Moisture	21
3.7.6 Travel Speed	21
3.7.7 Turning Speed	21
3.7.8 Operating Hints	21
3.7.9 Hitch Type	21
3.7.10 Hitch Catagory	21

3.8 Field to Transport Conversion.....	22
3.9 Transporting.....	22
3.10 Storage.....	23
3.10.1 Place in Storage.....	23
3.10.2 Remove from Storage.....	23
Section 4: SERVICE AND MAINTENANCE	25
4.1 Fluids and Lubricants	25
4.1.1 Grease	25
4.1.2 Storing Lubricants.....	25
4.1.3 Greasing.....	25
4.2 Servicing Intervals	26
4.2.1 Annually or Every 3000 Acres.....	26
4.3 Replacement Blades	26
4.4 Service Record	27
Section 5: TROUBLESHOOTING	29
Section 6: SIGN-OFF FORM	31
Section 7: REFERENCE.....	33
7.1 Mechanical Specifications.....	33

Page intentionally left blank

Section 1: INTRODUCTION

Congratulations on your choice of a Mandako REDDI-LYNX to compliment your operation. This equipment has been designed and manufactured to meet the needs of a discerning industry.

Safe, efficient and trouble free operation of your Mandako REDDI-LYNX requires that you and anyone else who will be using or maintaining the REDDI-LYNX, read and understand the Safety, Operation, Maintenance and Trouble Shooting information contained within this Operator's Manual.

This manual covers all sizes of the Mandako REDDI-LYNX. Keep this manual handy for frequent reference and to pass on to new operators or owners. Call your Mandako dealer if you need assistance, information or additional copies of the manual.

NOTE:

The directions left, right, front and rear, as mentioned throughout this manual, are as seen from the tractor driver's seat and facing in the direction of travel.

1.1 SERIAL NUMBER LOCATION

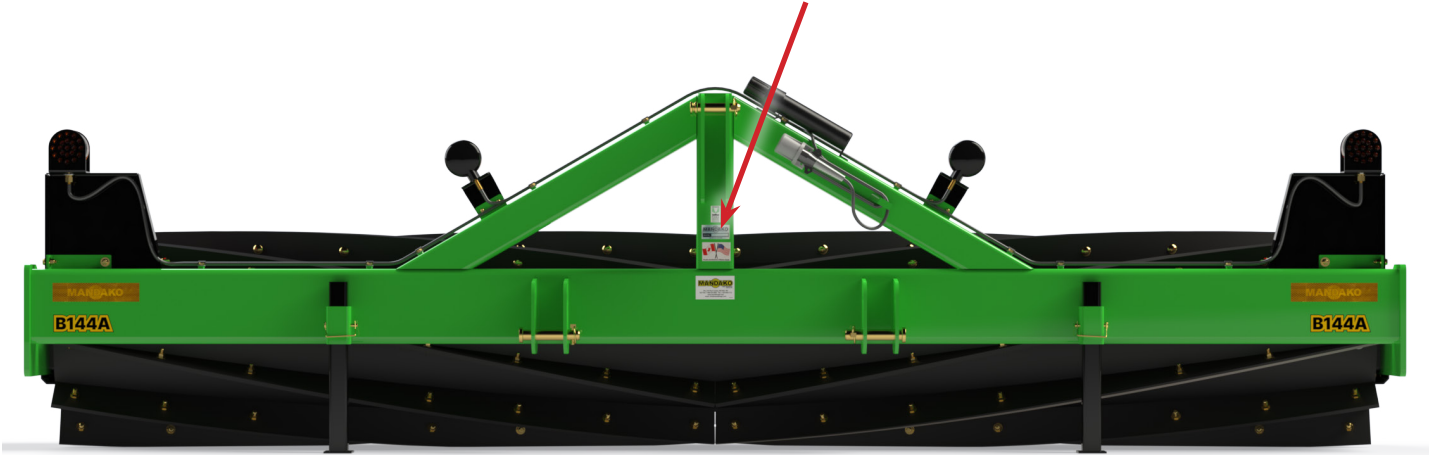


Fig. 1 Model/Serial Number Location

Always give your dealer the serial number of your REDDI-LYNX when ordering parts or requesting service or other information.

The serial number plate is located where indicated above. Please mark the number in the space provided for easy reference.

Model Number _____

Serial Number _____

Page intentionally left blank

Section 2: SAFETY

Why is SAFETY important to you?

3 Big Reasons:

- ▲ Accidents Disable and Kill
- ▲ Accidents Cost
- ▲ Accidents Can Be Avoided

This Safety Alert symbol means:
ATTENTION!
BECOME ALERT!
YOUR SAFETY IS INVOLVED!



The Safety Alert symbol identifies important safety messages on the equipment and in this manual.

When you see this symbol, be alert to the possibility of personal injury or death.

Follow the instructions in the safety message.

SIGNAL WORDS:

Note the use of the signal words DANGER, WARNING, CAUTION and ATTENTION along with the accompanying safety messages. The appropriate signal word for each message has been selected using the following guidelines:

DANGER

DANGER - Indicates an imminently hazardous situation which, if not avoided, will result in death or serious injury.

This signal word is to be limited to the most extreme situations typically for machine components which, for functional purposes, cannot be guarded.

WARNING

WARNING - Indicates a potentially hazardous situation which, if not avoided, could result in death or serious injury.

It identifies hazards that are exposed when guards are removed. It may also be used to alert against unsafe practices.

CAUTION

CAUTION - Indicates a potentially hazardous situation which, if not avoided, may result in minor or moderate injury.

It may also be used to alert against unsafe practices.

ATTENTION

ATTENTION - Indicates practices or situations which may result in the malfunction of, or damage to, the equipment.

REDDI-LYNX Operator's Manual

2.1 SAFETY ORIENTATION

You are responsible for the SAFE operation and maintenance of your Mandako REDDI-LYNX. Ensure that you and anyone else who will use, maintain or work around the REDDI-LYNX be familiar with the Safety, Operating and Maintenance procedures in this manual.

This manual will take you step-by-step through your working day and alerts you to all good safety practices that should be used while operating the REDDI-LYNX.

Remember, you are the key to safety. Good safety practices not only protect you but also the people around you. Make these practices a working part of your safety program. Be certain that everyone using this equipment follows all safety precautions, as well as the detailed operating and maintenance procedures.

Most accidents can be prevented. Do not risk injury or death by ignoring good safety practices:

- REDDI-LYNX owners must give operating instructions to operators or employees before allowing them to operate the machine, and review annually thereafter.
- The most important safety device on this equipment is a SAFE operator. It is the operator's responsibility to read and understand ALL Safety and Operating instructions in the manual and to follow them. Most accidents can be avoided.
- A person who has not read and understood all operating and safety instructions is not qualified to use the machine. An untrained operator exposes himself and bystanders to the possibility of serious injury or death.
- Do not modify the equipment in any way. Unauthorized modification may impair the function and/or safety and could affect the life of the equipment.
- Think SAFETY! Work SAFELY!

2.2 GENERAL SAFETY

- Read and understand the Operator's Manual and all safety signs before using, maintaining, adjusting or cleaning the REDDI-LYNX.



- Have a first-aid kit available for use should the need arise and know how to use it.



- Have a fire extinguisher available for use should the need arise and know how to use it.

- Do not allow riders.

- Wear appropriate protective gear. This list includes but is not limited to:

- Hard hat
- Protective shoes with slip resistant soles
- Protective glasses, goggles or face shield
- Heavy gloves
- Hearing Protection



- Install and secure all guards before starting.

- Wear suitable ear protection for prolonged exposure to excessive noise.




- Lower machine to ground, place all controls in neutral, set park brake, stop engine, remove ignition key and wait for all moving parts to stop before servicing, adjusting, repairing or unplugging.

- Clear the area of bystanders, especially small children, before operating the unit.

- Review safety related items annually with all personnel who will be operating or maintaining the REDDI-LYNX.

2.3 EQUIPMENT SAFETY GUIDELINES

- Safety of the operator and bystanders is one of the main concerns in the design and development of equipment. However, every year many accidents occur, which could have been avoided, by a few seconds of thought and a more careful approach to handling equipment.
- You, the operator, can avoid many accidents by following the precautions in this section. Insist that those working with you, or for you, follow them also.
- Replace any safety or instructional signs that are missing or illegible. The location of these safety signs are indicated in this manual in Section 2.12.
- Never use alcoholic beverages or drugs which can hinder alertness or coordination while using this equipment. Consult your doctor about using this machine while taking prescription medications.
- Under no circumstances should young children be allowed to work with this equipment.
- The operator should be a responsible, properly trained and physically able person. They should be familiar with machinery and trained in this equipment's operations.
- If the elderly are assisting with work, their physical limitations need to be recognized and accommodated.
- If the tow vehicle is a tractor, it should be equipped with a Roll Over Protective Structure (ROPS) and a seat belt. 
- Never exceed the limits of the REDDI-LYNX. If its ability to do a job, or to do so safely, is in question - DON'T TRY IT.
- Do not modify the equipment in any way. Unauthorized modification may impair the function and life of the equipment, and may result in serious injury or death.

2.4 SAFETY DECALS

2:4:1 General Information:

- Keep safety decals clean and legible at all times.
- Replace decals that are missing or have become illegible.
- Replaced parts that displayed a safety decal should also display the current sign.
- Safety decals displayed in Section 2.11 each have a part number located below the sign. Use this part number when ordering replacements.
- Safety decals are available from your authorized Distributor or Dealer Parts Department.


NOTE:

Call Mandako directly if you are unfamiliar with who your local Dealer/Distributor is.




2:4:2 How to Install Safety Decals:

1. Be sure that the installation area is clean, dry and degreased.
2. Be sure temperature is above 50°F (10°C).
3. Determine exact position before you remove the paper backing. (See Section 2.12)
4. Remove the smallest portion of the split backing.
5. Align the decal over the specified area and carefully press the small portion with the exposed adhesive in place.
6. Slowly peel back the remaining paper and carefully smooth the rest of the decal in place.
7. Small air pockets can be pierced with a pin and smoothed out using the piece of the paper backing.

2.5 SAFETY TRAINING

- Safety is a primary concern in the design and manufacture of our products. Unfortunately, our efforts to provide safe equipment can be wiped out by a single careless act of an operator or bystander. 
- Accident prevention and identifying hazards are dependent upon the proper training of personnel. Their awareness, concern and common sense are crucial when involved with the operation, transport, maintenance and storage of the equipment.
- Working with unfamiliar equipment can lead to careless injuries. Read this manual to become acquainted with the machine.
- Whether the machine owner is the operator, loans or rents it out, it is their responsibility to make certain that the borrower reads and understands the operator's manuals.
- Know your controls, how to stop the tow unit, the engine, and machine quickly in an emergency.
- Train all new personnel and review instructions frequently with existing workers. Be certain only a properly trained and physically able person will use the machinery.
- A person who has not read and understood all operating and safety instructions is not qualified to use the machine. An untrained operator exposes himself and bystanders to the possibility of serious injury or death.
- If the elderly are assisting with the work, their physical limitations need to be recognized and accommodated.

2.6 PREPARATION

- Never use the REDDI-LYNX until you have read this manual and the tow unit's Operator's Manual. Take note of each Safety Message found on the safety decals on the REDDI-LYNX and the tow vehicle. 
- Personal protective equipment including a hard hat, safety glasses, safety shoes and gloves are recommended during assembly or installation, operation, adjustment, maintaining or repairing, cleaning or moving the unit. 
- Do not allow long hair, loose fitting clothing or jewelry to be around equipment.
- **PROLONGED EXPOSURE TO LOUD NOISE MAY CAUSE PERMANENT HEARING LOSS!**
- Power equipment with or without equipment attached can often be noisy enough to cause permanent or partial hearing loss. We recommend that you wear hearing protection on a full-time basis if the noise in the Operator's position exceeds 80db. 
- Noise over 85db on a long-term basis can cause severe hearing loss. Noise over 90db adjacent to the Operator over a long-term basis may cause permanent, total hearing loss.

NOTE:

Hearing loss from loud noise (from tractors, chain saws, radios, and other such sources close to the ear) is cumulative over a lifetime without hope of natural recovery.

- Any tractor used to tow the REDDI-LYNX must be equipped with an approved Roll-Over-Protective-Structure (ROPS). Always wear a seat belt. Serious injury or even death could result from falling off the tractor. If a roll-over occurs, the operator could be pinned under the ROPS or inside the tractor.



- Clear working area of stones, branches or hidden obstacles that might be hooked or snagged, causing damage or injury.
- Be sure the machine is properly attached, adjusted and in good operating condition.
- Ensure that all safety shielding and safety decals are properly installed and in good condition.

2.7 OPERATING SAFETY

- Read and understand the Operator's Manual and all safety signs before using. Review safety instructions annually.



- Lower machine to the ground, place all controls in neutral, stop engine, set park brake, remove ignition key, and wait for all moving parts to stop before servicing, adjusting, repairing or unplugging.
- Install and secure all guards and shields before starting or operating.

- Keep hands, feet, hair and clothing away from all moving and/or rotating parts.



- Do not allow riders on the REDDI-LYNX or tow vehicle during operation or transporting.
- Clear the area of all bystanders, especially children, before starting.
- Stay away from all frames and components when folding or extending. Keep others away.

- Clean reflectors, SMV (Slow Moving Vehicle) emblem and lights before transporting. Be sure you are in compliance with all federal and local regulations regarding transport of equipment on public roads and highways.



- Do not exceed a safe travel speed.
- Use hazard flasher on tow vehicle when transporting.
- Always refer to the towing vehicle owner's manual trailer towing section to determine the vehicle's towing capacity and to ensure compatibility and maximum safety.
- Shift towing unit to a lower gear before going down steep down-grades to use engine as retarding force. Keep towing vehicle in gear at all times.
- Attach securely to towing unit using a hardened pin with a retainer and a safety chain.
- Review safety instructions annually.
- Do not drink and drive.

2.8 MAINTENANCE SAFETY

- Good maintenance is your responsibility. Poor maintenance is an invitation for trouble.
- Follow good shop practices.
 - Keep service area clean and dry.
 - Be sure electrical outlets and tools are properly grounded.
 - Use adequate light for the job at hand.
- Lower machine to the ground. Place all controls in neutral, stop engine, set the park brake, remove ignition key, and wait for all moving parts to stop before servicing, adjusting, repairing or unplugging.
- Place stand or blocks under the frame before working beneath the machine or when changing tires.
- Always use personal protective equipment such as safety glasses, gloves and hearing protection, when performing any service or maintenance work.
- Where replacement parts are necessary for periodic maintenance and servicing, genuine factory replacement parts must be used to restore your equipment to original specifications.
- A fire extinguisher and first aid kit should be kept readily accessible while performing maintenance on this equipment.
- When completing a maintenance or service function, make sure all safety shields and devices are installed before placing unit in service.



2.9 STORAGE SAFETY

- Store the unit in an area away from human activity
- Store the unit in a dry, level area. Support the frame with planks if required. Chock the drum to prevent rolling.
- Lower roller to the ground and lower stabilizer jacks.
- Do not allow children to play on or around the stored machine.

2.10 TRANSPORT SAFETY

- Read and understand ALL the information in the Operator's Manual regarding procedures and SAFETY when operating the REDDI-LYNX in the field and/or on the road.
- Do not raise the frame or transport with fluid in the Drum.
- Check with local authorities regarding REDDI-LYNX transport on public roads. Obey all applicable laws and regulations.
- Always travel at a safe speed. Use caution when making corners or meeting traffic.
- Make sure the SMV (Slow Moving Vehicle) emblem and all the lights and reflectors that are required by the local highway and transport authorities are in place, are clean and can be seen clearly by all overtaking and oncoming traffic.
- Install additional lights on the rear of the machine to safeguard against rear end collisions. Daybreak and dusk are particularly dangerous and pilot vehicles are recommended.
- Be sure that the machine is securely hitched to the towing vehicle and a retainer is used through the 3-point hitch pins.
- Always refer to the towing vehicle owner's manual trailer towing section to determine the vehicles towing capacity and to ensure compatibility and maximum safety.
- Keep to the right and yield the right-of-way to allow faster traffic to pass. Drive on the shoulder of the road, if permitted by law.
- Do not exceed 32 km/h (20 mph) on highway transport. Reduce speed on rough roads and surfaces.
- Always use hazard warning flashers on tow vehicle when transporting unless prohibited by law.
- Shift towing unit to a lower gear before going down steep down-grades to use engine as retarding force. Keep towing vehicle in gear at all times.
- Do not drink and drive.



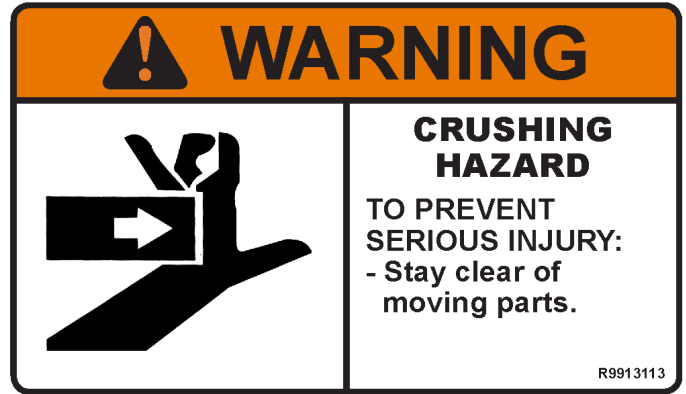
2.11 SAFETY DECALS

The various safety decals, and their locations on the equipment are shown in the illustrations to follow.

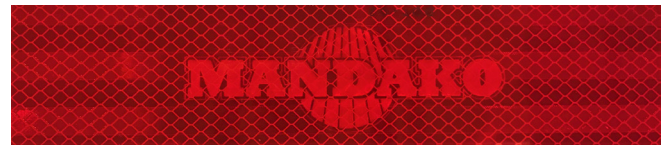
Good safety practices require familiarizing yourself with the decals. Read the warning messages, and note the area, or particular function related to that area, that the decal highlights.

If safety decals have been damaged, removed, become illegible, or replacement parts do not have the decal; new ones must be applied. Safety decals are available from your authorized dealer.

Mandako reserves the right to update safety decals without notice. Safety decals may not be to scale or exactly as shown.



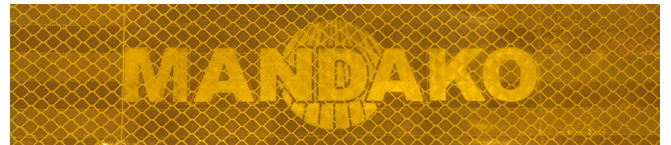
Part No. R9913113



Part No. R9913002



Part No. R9913004



Part No. R991003

2.12 SAFETY DECAL LOCATION

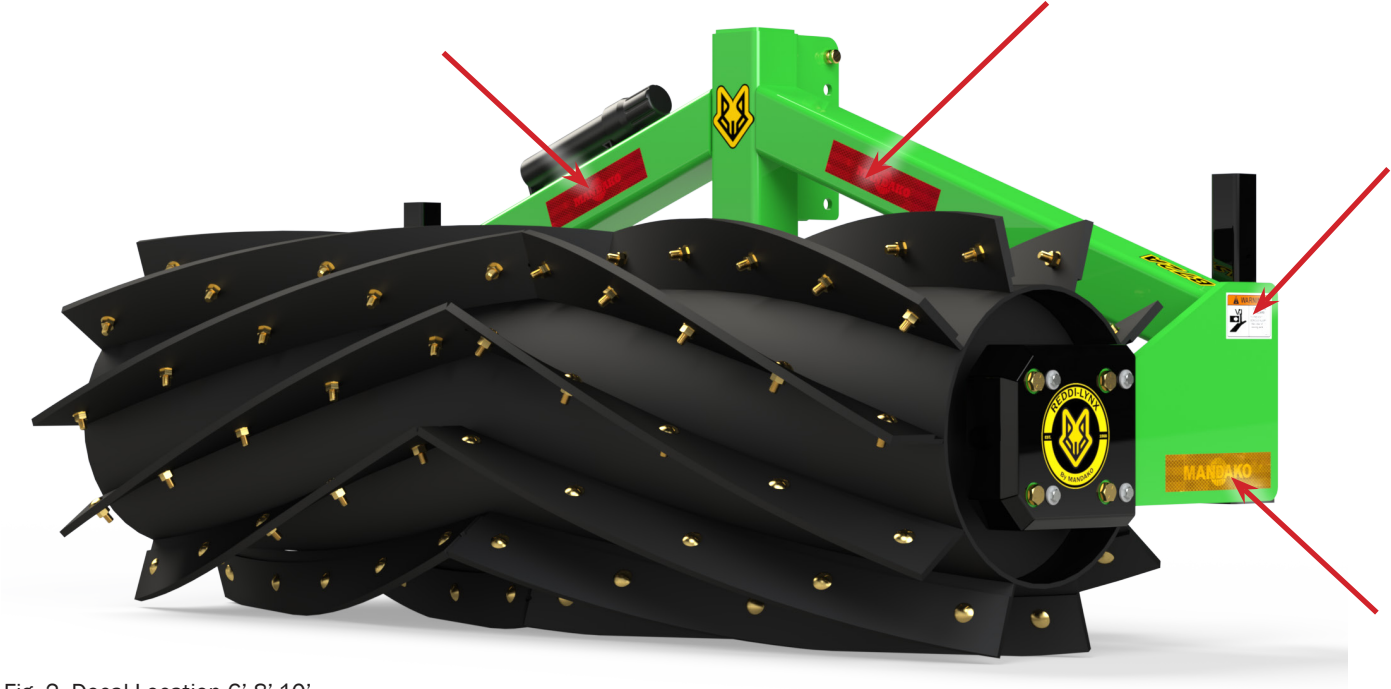


Fig. 2 Decal Location 6',8',10'

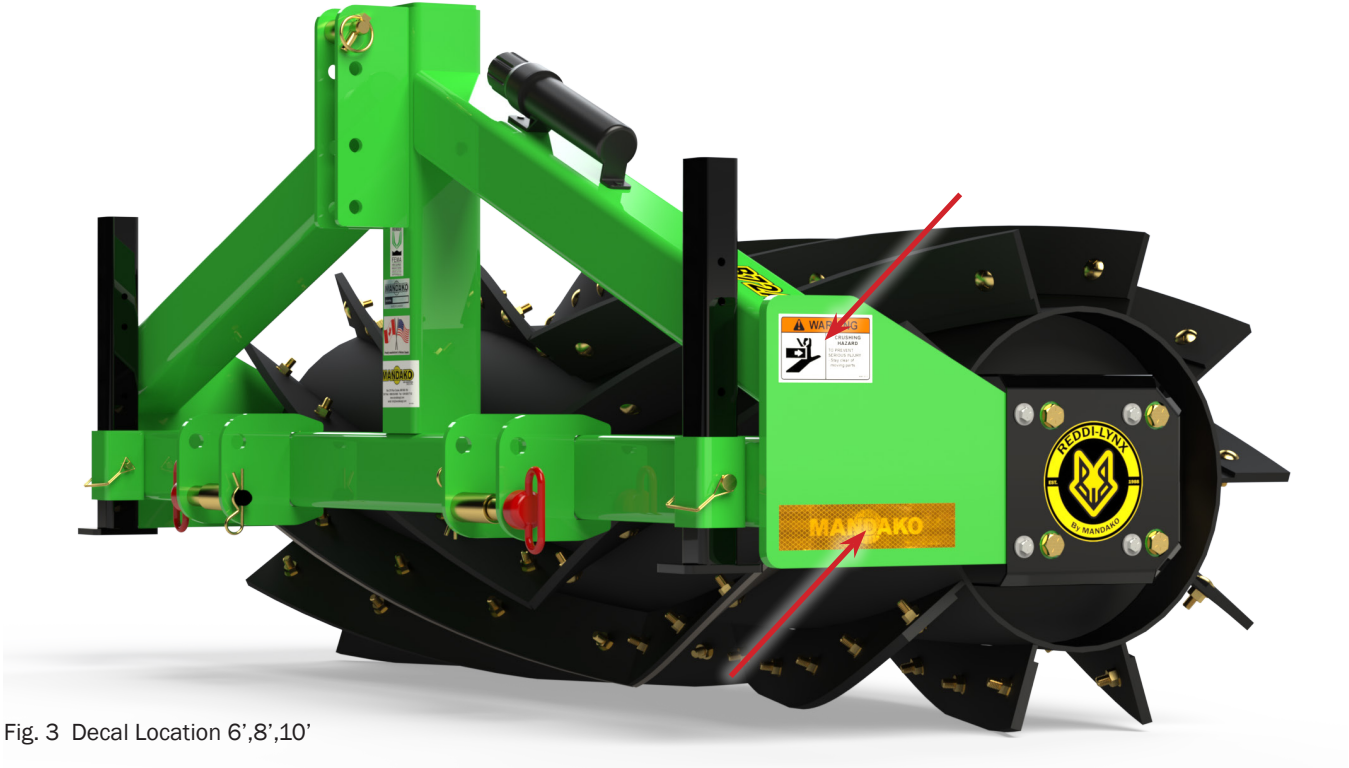


Fig. 3 Decal Location 6',8',10'

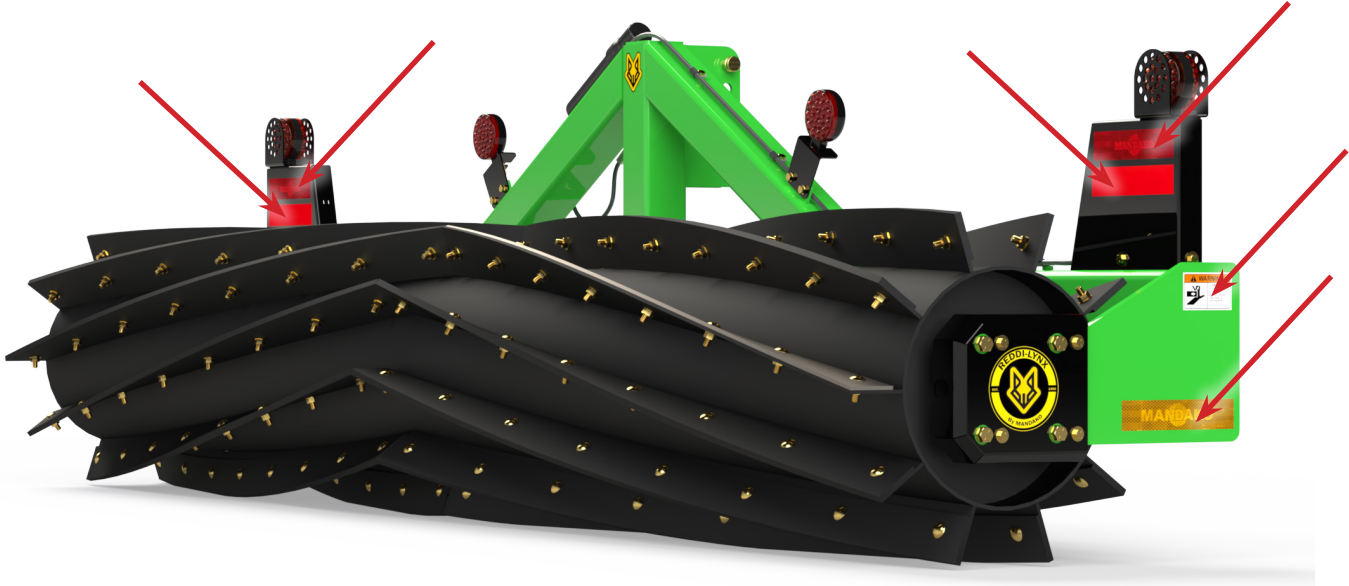


Fig. 4 Decal Location 12'+

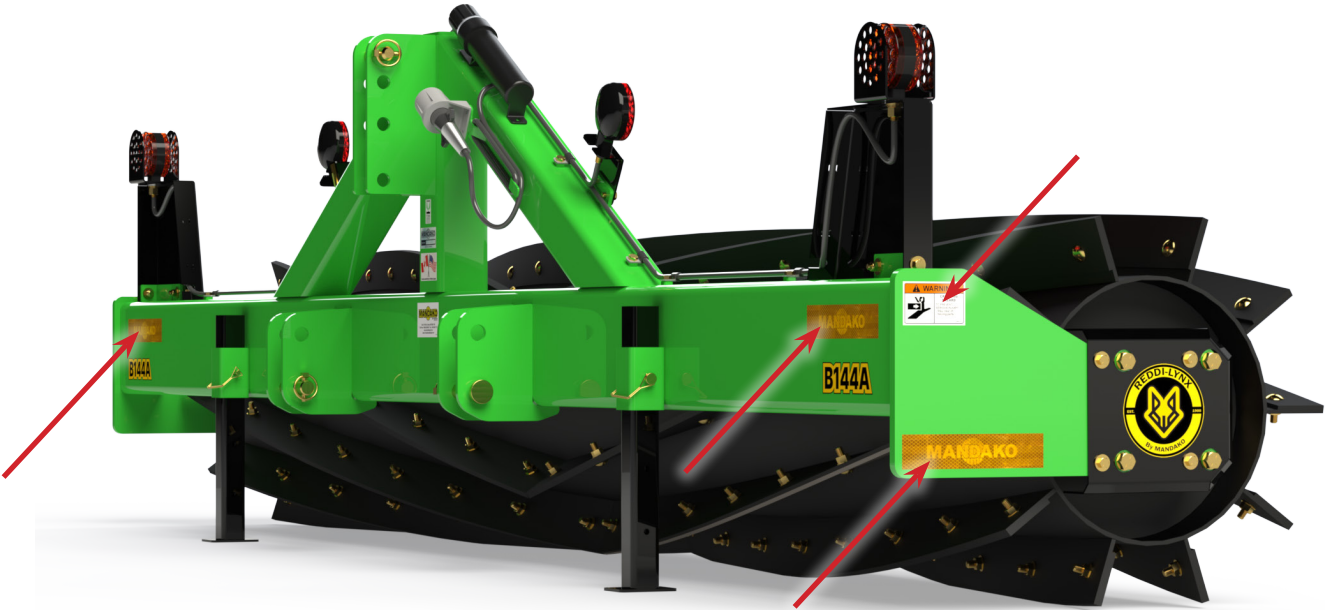
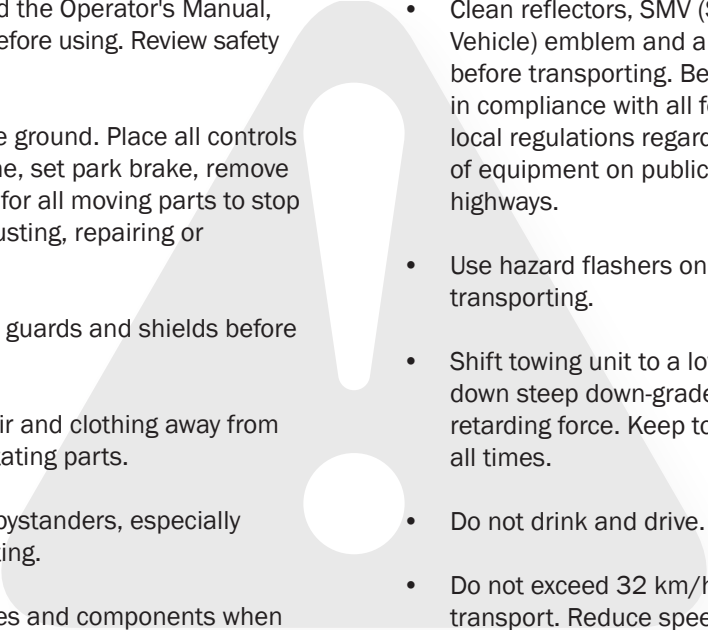


Fig. 5 Decal Location 12'+

Remember - Safety Decals are for your protection! If they have been damaged, removed, become illegible, or replacement parts do not have the decal; new ones must be applied. Safety decals are available from your authorized dealer.

Page intentionally left blank

Section 3: OPERATION

-
- 
- Read and understand the Operator's Manual, and all safety signs before using. Review safety instructions annually.
 - Lower machine to the ground. Place all controls in neutral, stop engine, set park brake, remove ignition key and wait for all moving parts to stop before servicing, adjusting, repairing or unplugging.
 - Install and secure all guards and shields before starting or operating.
 - Keep hands, feet, hair and clothing away from all moving and/or rotating parts.
 - Clear the area of all bystanders, especially children, before starting.
 - Stay away from frames and components when lowering or raising. Keep others away.
 - Attach securely to towing unit using a hardened pin with a retainer.
 - Do not allow riders on the REDDI-LYNX or tow unit during operation or transporting.
 - Clean reflectors, SMV (Slow Moving Vehicle) emblem and all the lights before transporting. Be sure you are in compliance with all federal and local regulations regarding transport of equipment on public roads and highways.
 - Use hazard flashers on tow unit when transporting.
 - Shift towing unit to a lower gear before going down steep down-grades to use engine as retarding force. Keep towing vehicle in gear at all times.
 - Do not drink and drive.
 - Do not exceed 32 km/h (20 mph) on highway transport. Reduce speed on rough roads and surfaces.
-

It is the responsibility of the owner and operator to read this manual. They must train all others before starting to work with the machine. Follow all safety instructions exactly. Safety is everyone's business. By following recommended procedures, a safe working environment is provided for the operator, bystanders and the area around the work site.

Many features incorporated into this machine are the result of suggestions made by customers like you.

This manual will describe how to set the REDDI-LYNX to provide maximum field efficiency. By following the operating instructions in conjunction with a good maintenance program, your REDDI-LYNX will provide many years of trouble-free service.

3.1 MACHINE COMPONENTS

The Mandako REDDI-LYNX consists of a single roller drum mounted onto a three-point hitch assembly.

The three-point hitch assembly allows for direct transport to field operation. The three-point hitch attachment lowers and lifts the drum. This allows for precise controls from the tractor cab while in operation.

Three-point hitch bushings and Frame Lock Pins are vital parts to ensure the machine is used safely and help eliminate possible damage to the machine.

The Mandako REDDI-LYNX also has one jack on either side of the hitch attachment for stabilizing the Machine when not in use.

The main components of the unit are as follows:

- a. Roller Drum
- b. Main Frame
- c. Top link pin
- d. Lower lift arm pins
- e. Lower lift arm bushings
- f. Stabilizer Jacks Pins
- g. Operators Manual Canister
- h. Lights
- i. Replacement Blades
- j. Stabilizer Jacks

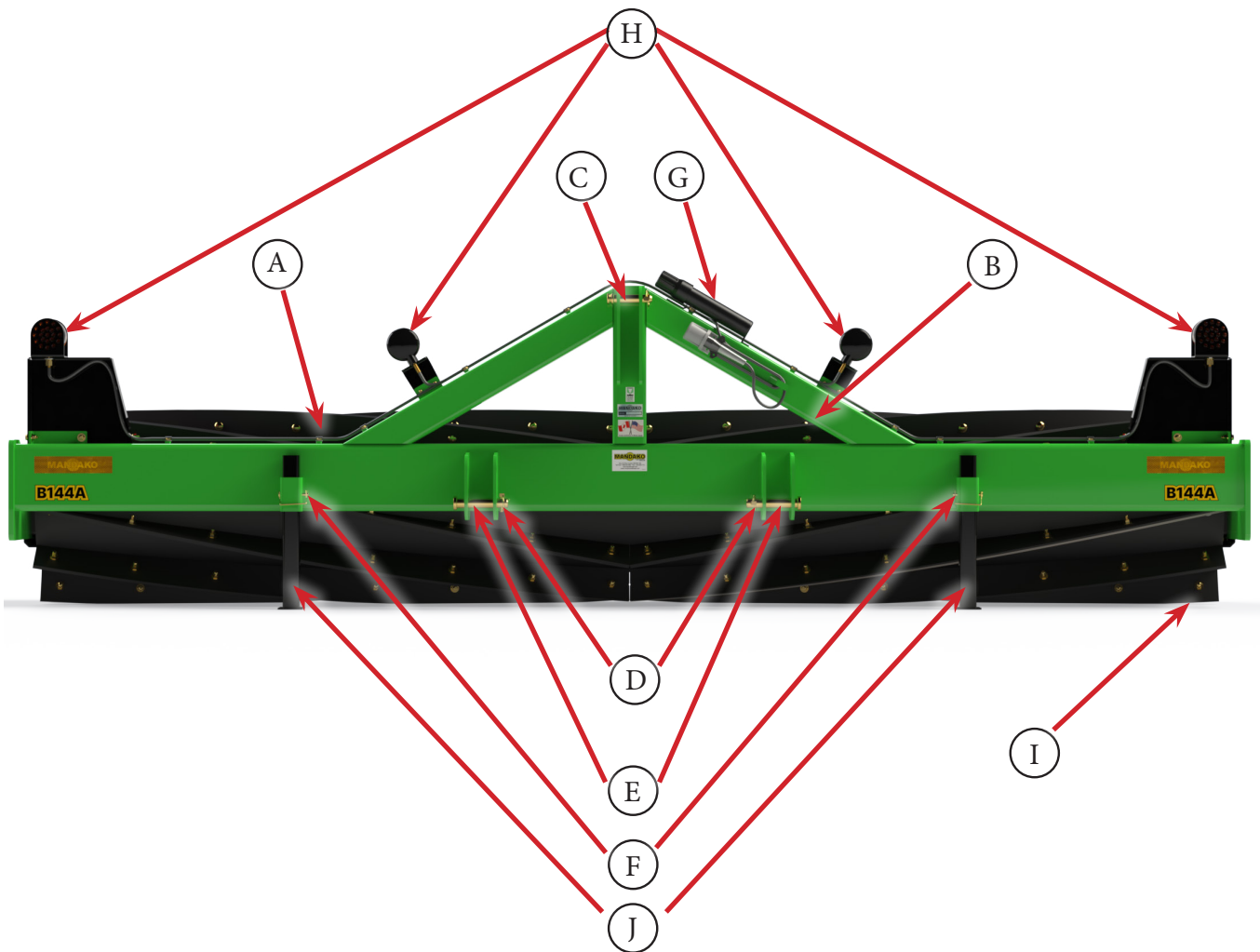


Fig. 6 Machine Components 12'+ (6',8',10' Have no lights)

3.2 MACHINE BREAK-IN

There are no operational restrictions on the REDDI-LYNX when used for the first time.

Although, it is recommended that the following mechanical items be checked:

3.2.1 After operating for 1/2 hour:

- Re-torque all fasteners and hardware.
- Check for, and remove all entangled material.
- Lubricate all grease fittings with one shot of grease.

3.2.2 After 5 hours and 10 hours of operation:

- Re-torque all fasteners and hardware.
- Go to the normal servicing and maintenance schedule as defined in the Service and Maintenance Section.



Fig. 7 REDDI-LYNX

3.3 PRE-OPERATION CHECKLIST

Efficient and safe operation of the Mandako REDDI-LYNX requires that each operator reads the manual. They must understand the procedures, and all related safety precautions.

A pre-operation checklist is provided for the operator. It is important for personal safety, and to maintain the good mechanical condition of the REDDI-LYNX that this checklist is followed.

Before operating the REDDI-LYNX and each time thereafter, the following areas should be checked off:

1. Lubricate the machine according to the schedule outline in the Section 4.2.
2. Use a tractor of adequate power and weight to operate the REDDI-LYNX. See Section 3.4 for recommendations.
3. Remove all entangled material.

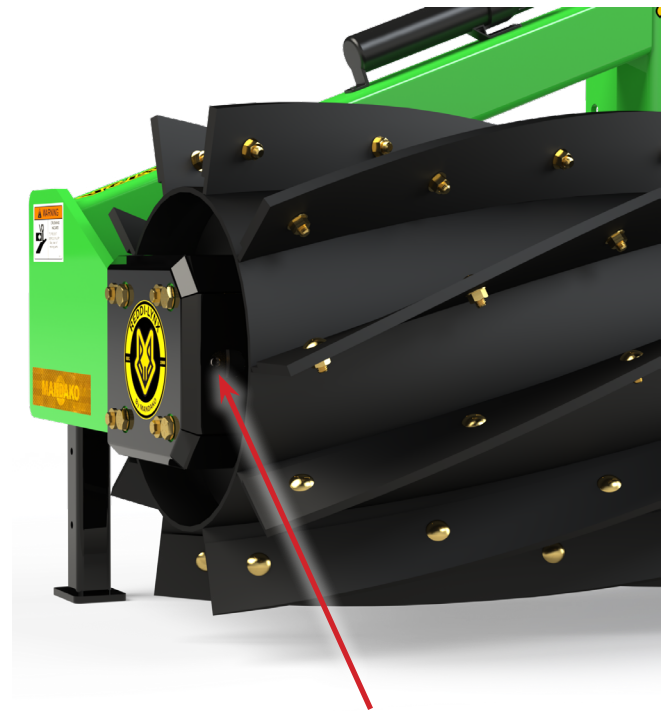


Fig. 8 Bearing grease zerk location

3.4 EQUIPMENT MATCHING

To ensure the safe and reliable operation of the REDDI-LYNX, it is necessary to use a tractor with appropriate specifications.

As a guideline, be certain that these requirements are met:

1. **Horsepower:**
The REDDI-LYNX needs both power and mass to pull and stabilize the unit in all operating conditions.

The lower levels of power are appropriate for hard, level terrain. Higher levels for soft or hilly land. Extra mass is also required to maintain stability when slowing down or travelling downhill.

2. **Three-point Hitch Category:**
See page (16) Figures (9-21) for the correct three-point hitch necessary for your REDDI-LYNX

3. **Lift Capacity:**
The tractor three-point hitch system must be capable of lifting the maximum weight of the REDDI-LYNX with the drum full of water (ballasted). Be sure to check your tractor specifications for the three-point hitch lift capacity. Extra weight may be required to achieve capacity.
See Table 2 for Machine Weights.

Size	Minimum Tractor Horsepower Recommendation
6'	30 HP
8'	35 HP
10' & 12'	40 HP
15'	50 HP

Table 1 - Horsepower Recommendation

Size	Weight*	Weight +1/2 Water	Weight + Full Water
6'	1040	1261	1484
Weight @ 24" behind link arms	709	898	1088
8'	1288	1593	1897
Weight @ 24" behind link arms	890	1151	1411
10'	1546	1932	2317
Weight @ 24" behind link arms	1076	1406	1735
12'	1925	2392	2860
Weight @ 24" behind link arms	1366	1784	2203
15'	2314	2904	3494
Weight @ 24" behind link arms	1661	2190	2718

Table 2 - Machine Weights

*Approximate weights are for with the replacement blades.

3.5 ATTACHING/UNHOOKING

The REDDI-LYNX can be attached to a tractor using the three-point hitch. Since the REDDI-LYNX generates a vertical load on the hitch, care must be taken to properly attach the tow vehicle.

3:5:1 ATTACHING A REDDI-LYNX TO A TRACTOR

Follow this procedure when attaching the REDDI-LYNX to a tractor.

1. Ensure all bystanders, especially small children, are clear of the working area.
2. Make sure there is enough room and clearance to safely back up to the Land Roller.
3. Review appropriate tractor recommendations. See Table 1&2
4. Be sure to match the machine and tractor hitches before attaching to the tractor and moving the machine. See Figures 9 - 21.
5. Supplied bushings are to be installed as adapters & retainers when using 6',8',10' REDDI-LYNX
6. Slowly back the tow vehicle until the three-point arms are aligned.
7. Install the hitch pins.

IMPORTANT:

Use hitch pins with provisions for a mechanical retainer. Always install the retainer.

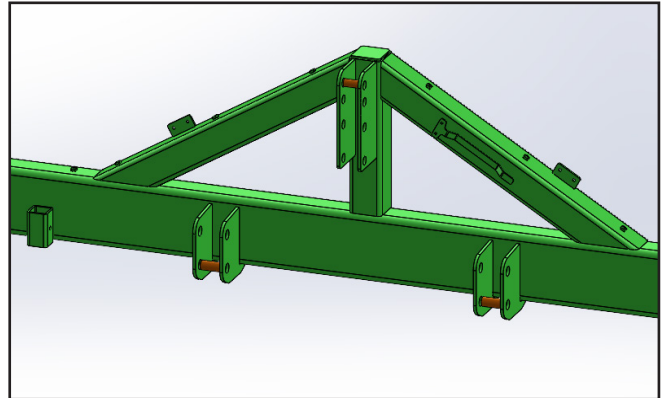


Fig. 9 Cat 2 12'+

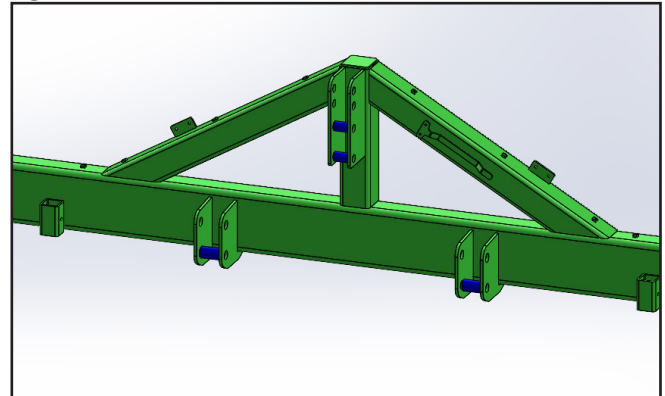


Fig. 10 Cat 2 Quick Hitch (U-Frame) A) 12'+

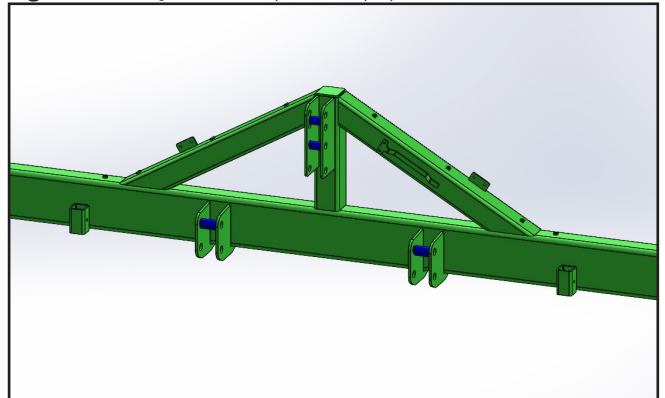


Fig. 11 Cat 2 Quick Hitch (U-Frame) B) 12'+

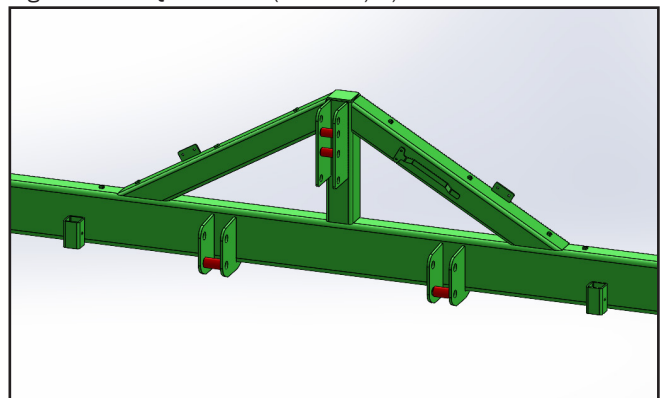


Fig. 12 Cat 3 Narrow Quick Hitch (U-Frame) 12'+

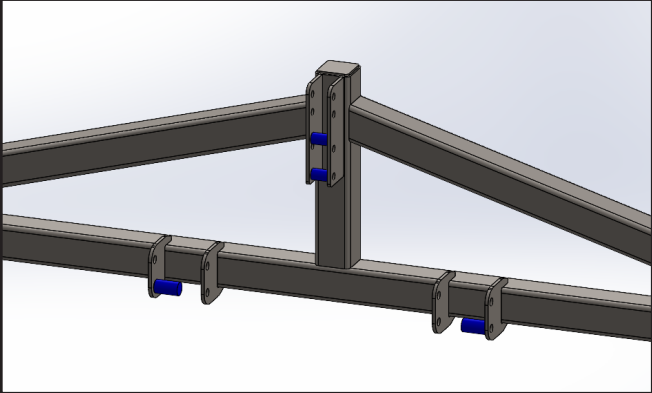


Fig. 13 Cat 2 Quick Hitch (U-Frame) A 6'-10'

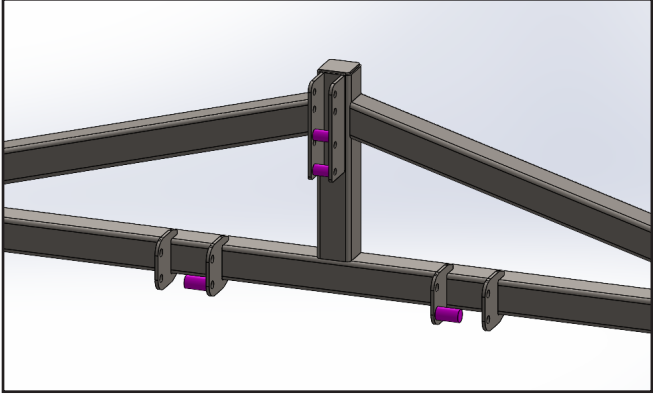


Fig. 16 Cat 2N Quick Hitch (U-Frame) A 6'-10'

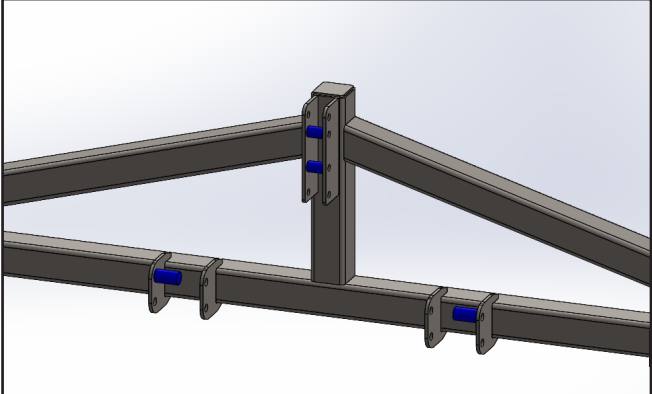


Fig. 14 Cat 2 Quick Hitch (U-Frame) B 6'-10'

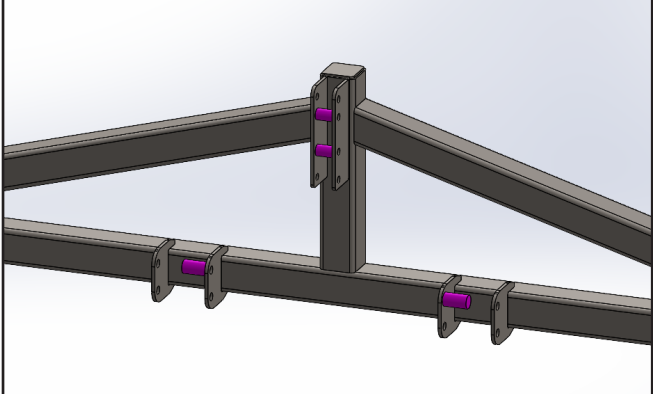


Fig. 17 Cat 2N Quick Hitch (U-Frame) B 6'-10'

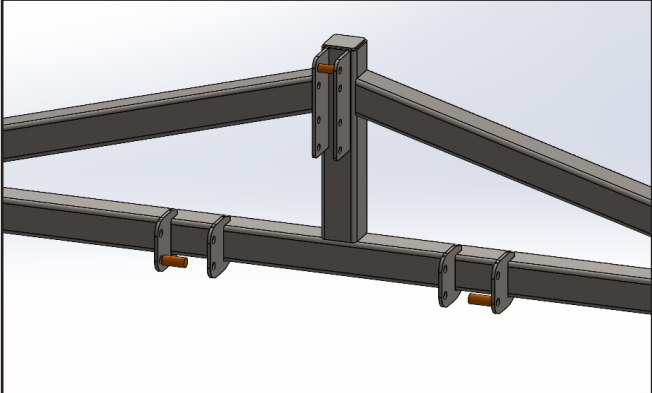


Fig. 15 Cat 2 6'-10'

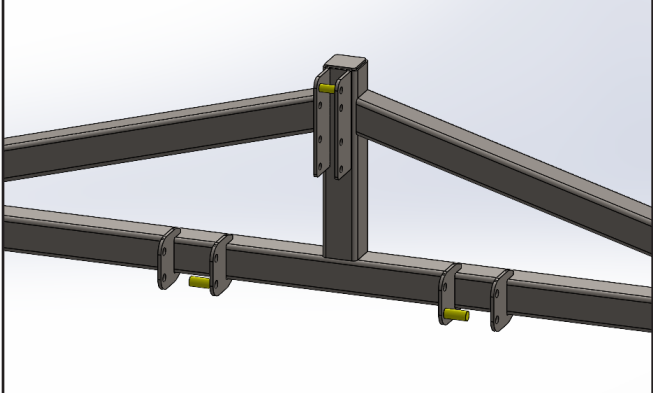


Fig. 18 Cat 2N 6'-10'

3.6 TRANSPORT TO FIELD CONVERSION

The REDDI-LYNX is designed to be easily converted from transport to field configuration with minimal effort.

Follow this procedure:

1. Transport the roller to the field where it will be used.
2. Clear the area of bystanders, especially small children.
3. Make sure the stabilizer jacks are raised and secured
4. See field operation. 3.7

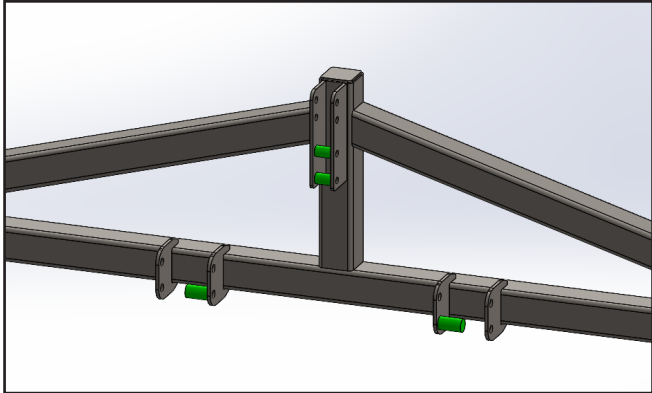


Fig. 19 Cat 1 Quick Hitch (U-Frame) A) 6'-10'

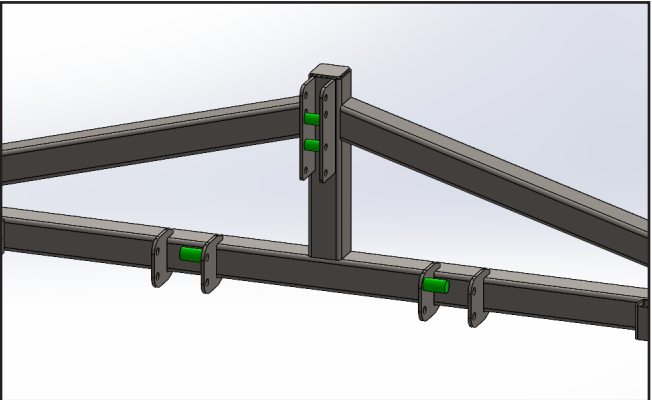


Fig. 20 Cat 1 Quick Hitch (U-Frame) B) 6'-10'

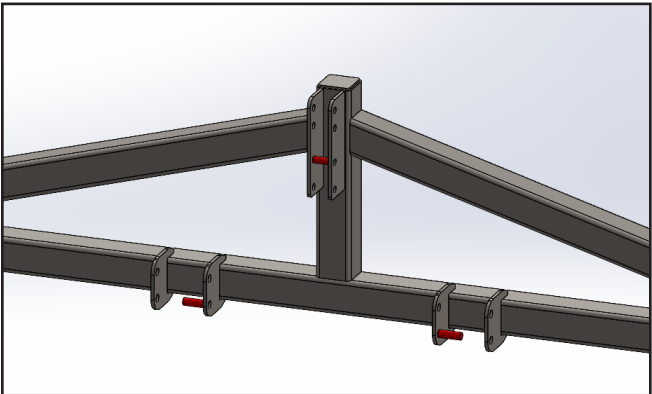


Fig. 21 Cat 1 6'-10'



Fig. 22 Attached to Tractor for Field use

3.7 FIELD OPERATION

The REDDI-LYNX is easy to use. Still, each operator should review this manual to familiarize themselves with the Safety and Operating procedures.

When using this machine, follow this procedure:

1. Clear the area of bystanders, especially small children.
2. Attach the machine to the tractor. See Section 3.5
3. Check the unit to be sure it is level and set.
4. Transport to the working area.
5. Convert to field position. See Section 3.6

3:7:1 STARTING:

Lower Drum with three point hitch assembly. With the drum lowered and the tractor engine at approximately 1/3 throttle position, release the clutch and move forward. Increase throttle position until desired engine RPM is reached.

3:7:2 STOPPING:

Reduce engine RPM and press clutch to stop machine. Raise drum with the three point hitch assembly.

3:7:3 ROLLER WEIGHT:

Roller is hollow and equipped with a Bung. Water may be added to the roller to increase its weight. This is helpful for rolling pasture land or an area with heavy plant growth.

Make sure to add counter weights to the front of the tractor to offset the weight of the REDDI-LYNX.

IMPORTANT:

The recommended horsepower and category ratings are for base units only. Adding ballast will affect recommendations.

See Table 2 for ballast weights.

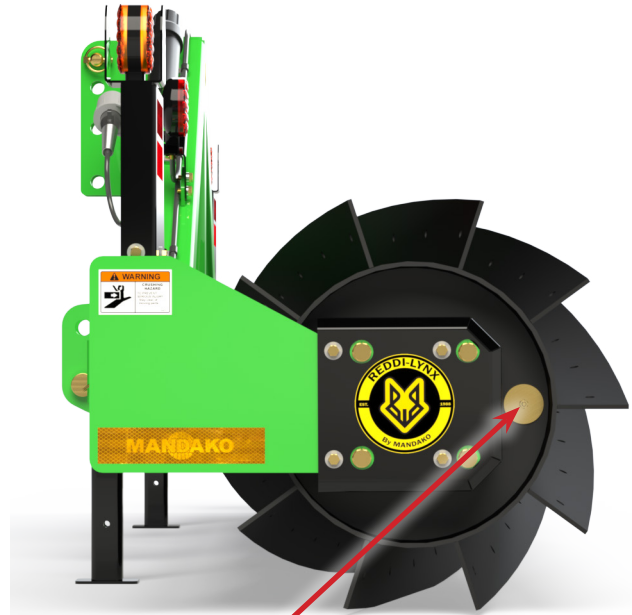


Fig. 23 Ballast Bung

ATTENTION:

Injury or Equipment Damage may occur if added ballast is too heavy for the tractor.

3:7:4 BALLASTING:

Ballasting or adding weight to land rollers is optional for certain applications including, but are not limited to; forage crops, pasture and grazing land.

The extra weight assists in pushing over the plant material and contact the uneven ground surface features.

Normally water is used for ballast:

- Rotate unit, bringing the Bung to the top of the Roller Drum.
- Remove Bung and add water.
- Generally, filling 1/4 to 1/2 full provides sufficient extra weight for most applications.
- Install and tighten the Bung.

To drain the ballast:

- Remove the Bung.
- Move roller to bring the Bung to the bottom.
- Allow water to drain fully.
- Rotate the machine to bring the Bung to top again.
- Install and tighten Bung.

3:7:5 SOIL MOISTURE:

Do not use the REDDI-LYNX to roll a field if the soil sticks together or adheres to the crimper.

Wait until the surface is dry before rolling.

3:7:6 TRAVEL SPEED:

The operator must determine the appropriate speed for the terrain and field conditions. It is not recommended to travel faster than 10 km/h (6 mph) in the field to prevent bouncing.

Slow down for rough, hilly or rolling terrain. To be effective, the roller must keep contact with the ground during operation. Select a speed that will keep the REDDI-LYNX operating properly.

3:7:7 TURNING (CORNERING) SPEED:

It is recommended that the speed be reduced by half when approaching the end of the field, or a corner. By slowing to half speed or less, the roller will be more controllable.

If the terrain results in the turn taking place while going down-hill, you must slow down well before the turn.

Slowing down before turning allows the driver to better judge what distance the outer end of the roller is from the end of the field or corner.

Note:

Misjudging the distance can result in hitting an obstacle at the end of the field.
Do not take the chance.

3:7:8 OPERATING HINTS:

- Make sure Tractor Lift Capacity is sufficient to lift machine and ballast.
 - Add counter weights to ensure a smoother ride.
- Remember: Do not keep water in the drum in temperatures under 0 degrees celsius or 32 Fahrenheit.
 - Leaving water in the drum will lead to water freezing and expanding thus potentially damaging the drum.

3:7:9 HITCH TYPE:

The REDDI-LYNX is equipped with a multi category three-point hitch bracket, installed at the factory. Be sure to match the machine and tractor hitches before attaching to the tractor and moving the machine.

3:7:10 HITCH CATEGORY:

The height and category of the three-point Hitch assembly can be adjusted between CAT 1,2,N,&3 by moving the pins and bushings in the allotted space.

See Section 3.5 Figures 9 - 21

Use the 3 point hitch cylinders on the tractor to raise or lower as required when hooking up.



Fig. 24 Hitch

3.8 FIELD TO TRANSPORT CONVERSION

The REDDI-LYNX is designed to be easily converted from transport to field configuration with minimal effort.

Follow this procedure:

1. Lift the roller using the three point hitch assembly.
2. Clear the area of bystanders, especially small children.
3. Make sure the stabilizer jacks are raised and secured. Fig 25 & 26.
4. See transport operation. 3.9

3.9 TRANSPORT

The Mandako REDDI-LYNX is designed to be easily and conveniently moved from field to field.

When transporting, follow this procedure:

1. Be sure all bystanders are clear of the machine.
2. Be sure that the pins on the three point hitch are securely attached to the tow vehicle.
3. Convert to transport configuration
Refer to Fig.22

IMPORTANT:

When raising the frame for transportation be conscious of ballast weights (Table 2)

4. Raise the three point hitch to its fully up position.
5. Do not allow riders on the implement.
6. Keep to the right and yield right-of-way to allow faster traffic to pass. Drive on the road shoulder, if permitted by law.

7. Make sure the SMV (Slow Moving Vehicle) emblem, all lights and reflectors, that are required by local highway and transport authorities, are in place. Check that they are clean and can be seen clearly by all overtaking and oncoming traffic.
8. It is not recommended that the machine be transported faster than 32 kph (20 mph). See Section 3:7:6 for recommended operation speed.
9. Always use hazard flashers on the tractor when transporting unless prohibited by law.



Fig. 25 Lowered Stabilizer Jack



Fig. 26 Raised Stabilizer Jack

3.10 STORAGE

3:10:1 PLACE IN STORAGE:

At the end of the season, the machine should be thoroughly inspected and prepared for storage. Repair or replace any worn or damaged components to prevent unnecessary down time at the beginning of the next season.

Follow this procedure before storing:

1. Remove all entangled material.
2. Thoroughly wash the unit with a pressure washer or water hose to remove all dirt, mud or debris.
3. Lubricate all grease points as per Section 4.2. Ensure all grease cavities have been filled with grease to remove any water residue from washing.
4. Touch up all paint nicks and scratches to prevent rusting.
5. Select an area that is dry, level and free of debris.
6. Move the machine to its storage area.
7. Lower stabilizer jacks.
8. Place planks under the jack for added support if required. Chock the drum to prevent rolling.
9. Unhook the machine from the tractor.
(See Section 3.5)

3:10:2 REMOVE FROM STORAGE:

When removing this machine from storage, follow this procedure:

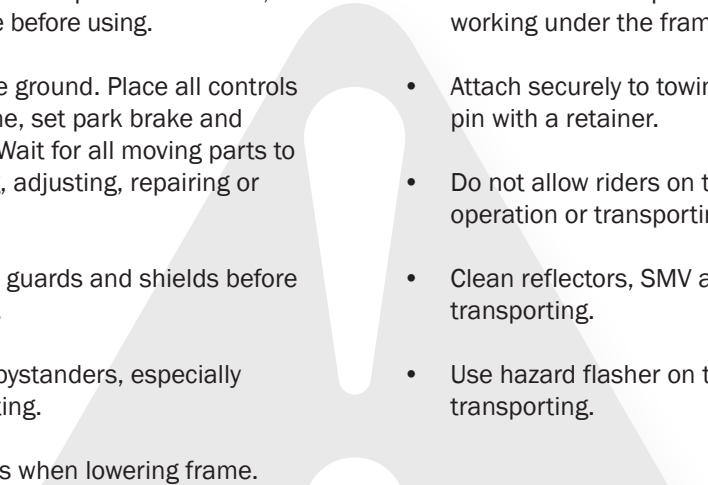
1. Clear the area of bystanders, especially small children.
2. Attach the machine to the tractor (See Section 3.5).
3. Make sure three point hitch pins are all secured properly.
4. Lubricate grease fittings as per Section 4.2
5. Replace any worn or defective parts.
6. Go through the Pre-Operation Checklist before using machine. (See Section 3.3)



Fig. 27 Lowered Stabilizer Jacks for Storage

Page intentionally left blank

Section 4: SERVICE AND MAINTENANCE

-
- 
- Read and understand the operator's manual, and all safety signage before using.
 - Lower machine to the ground. Place all controls in neutral, stop engine, set park brake and remove ignition key. Wait for all moving parts to stop before servicing, adjusting, repairing or unplugging.
 - Install and secure all guards and shields before starting or operating.
 - Clear the area of all bystanders, especially children, before starting.
 - Stay away from rollers when lowering frame.
 - Install frame lock pins. Before transporting or working under the frame
 - Attach securely to towing unit using a hardened pin with a retainer.
 - Do not allow riders on the roller or tractor during operation or transporting.
 - Clean reflectors, SMV and lights before transporting.
 - Use hazard flasher on tractor when transporting.
-

4.1 FLUIDS AND LUBRICANTS

4:1:1 GREASE:

Use an SAE multipurpose high temperature grease with extreme pressure (EP) performance. Also acceptable is an SAE multipurpose lithium base grease.

4:1:2 STORING LUBRICANTS:

Your machine can operate at top efficiency only if clean lubricants are used. Use clean containers to handle all lubricants. Store them in an area protected from dust, moisture and other contaminants.

4:1:3 GREASING:

Refer to Section 4.1.1 for the type of recommended grease.

Use the Maintenance Checklist provided to keep a record of all scheduled maintenance.

1. Use a hand-held grease gun for all greasing.
2. Wipe grease fitting with a clean cloth before greasing, to avoid injecting dirt and grit.
3. Replace and repair broken fittings immediately.
4. If fittings will not take grease, remove and clean thoroughly. Also, clean lubricant passageway. Replace fittings if necessary.

4.2 SERVICING INTERVALS

The periods recommended are based on normal operating conditions. Severe or unusual conditions may require more frequent checks of the equipment and lubrication.

4:2:1 ANNUALLY OR EVERY 3000 ACRES:

1. Grease the REDDI-LYNX bearings with 1 shot of grease (2 grease points). Fig. 28.

IMPORTANT:

The REDDI-LYNX is designed with sealed bearings on the Roller Drum. **DO NOT OVER GREASE!** Over greasing will destroy the seal and minimize the life of the bearing.

2. Clean and wash machine.



Fig. 28 Bearing Grease zerk Location

4.3 REPLACEMENT BLADES

Due to regular use the current blades on the REDDI-LYNX may get worn off. MANDAKO offers replacement blades that mount to the Blade Mounting Holes on the blades welded to the Crimper drum.

IMPORTANT:

Do not let the Blades of the Crimper Drum wear down to within 1" of the holes. Make sure there is still enough material to securely fasten the replacement blades.

Fig. 29.

Please Contact you nearest MANDAKO Dealer for replacement blade options for your REDDI-LYNX.

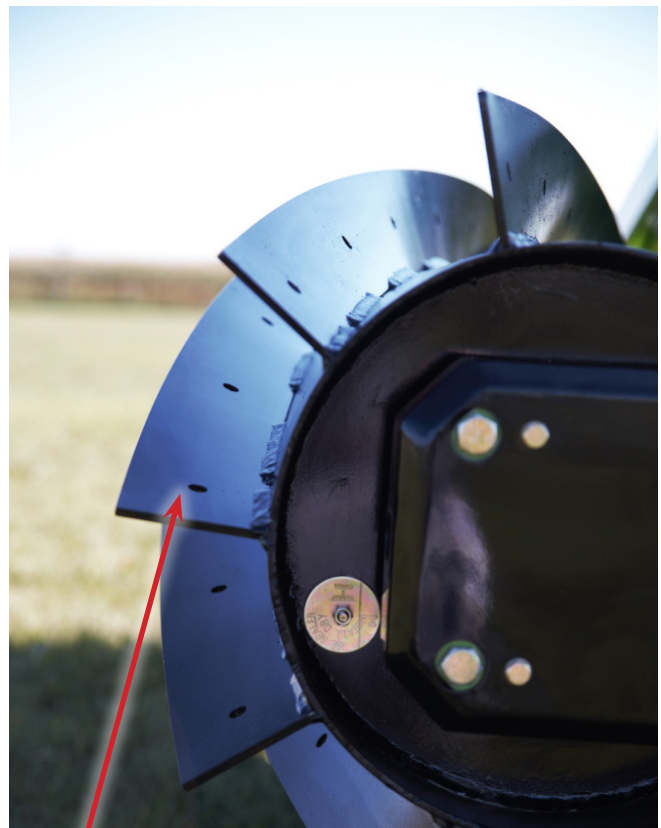


Fig. 29 Replacement Blade Mounting Holes

4.4 SERVICE RECORD

The Servicing Intervals section is only a guide under good conditions. Under extreme, or unusual circumstances adjust service timing accordingly.

Copy this page to continue record.

	Date																
Maintenance	Serviced By																
ANNUALLY OR EVERY 3000 ACRES																	
Grease Roller Drum Bearings																	
Clean and Wash Machine																	

Page intentionally left blank

Section 5: TROUBLE SHOOTING

This REDDI-LYNX is a simple and reliable system that requires minimal maintenance.

The problems which you may encounter, their causes and solutions, are listed below.

If you encounter a problem which is difficult to solve, even after having read through this section, please contact your local distributor or dealer. Before you call, please have this Operator's Manual and the unit's serial number ready.

Problem

Possible Cause	Possible Solution
----------------	-------------------

Settling of implement from raised position

Leaking three-point hitch cylinder seals on tractor	Replace cylinder seals
<i>The Drum doesn't rotate</i>	
Crop is tangled between the drum and bearing.	Remove tangled crop.
The drum bearings are seized.	Grease and try to get the bearingd running again, if not replace bearings.
<i>The tractor doesn't have sufficient traction</i>	
Soil is too wet.	Postpone the operation.
<i>The crop is not completely flattened</i>	
The total weight of the machine is too low.	Fill the drum with water. See Section ()

Problem

Possible Cause	Possible Solution
<i>Crimping too aggressive</i>	
Weight too heavy.	Remove weight from crimper.
Hitch too low.	Raise hitch of crimper.
Driving too slow.	Increase speed of tractor.
<i>Not crimping enough.</i>	
Weight too light.	Add weight to crimper.
Hitch too high.	Lower hitch of crimper.
Driving too fast.	Decrease speed of tractor.
<i>Crimper is riding rough.</i>	
Chevron pattern on the crimper is not in the correct direction.	Place chevron pattern pointing in the direction of travel.

Page intentionally left blank

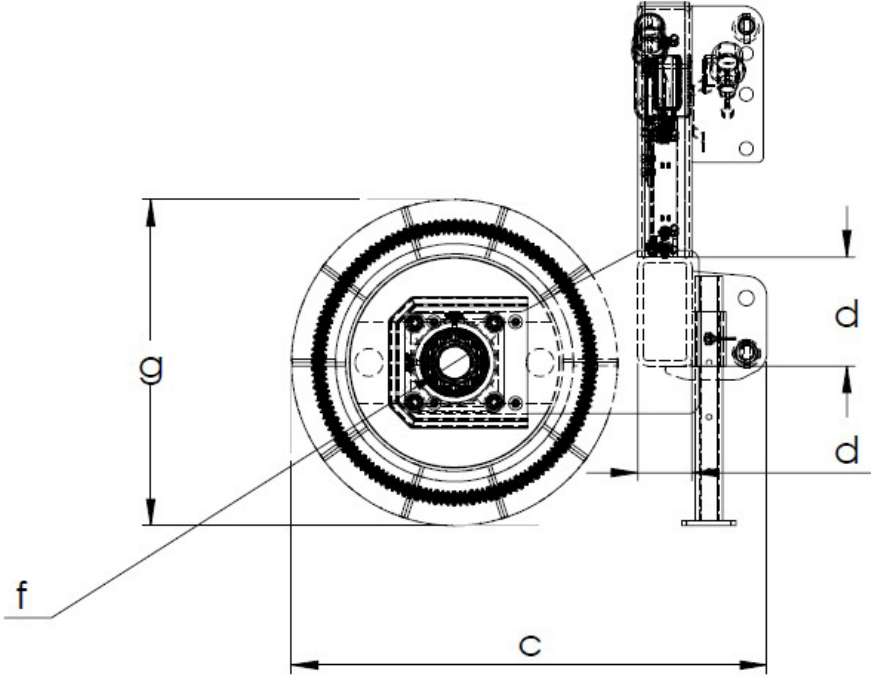
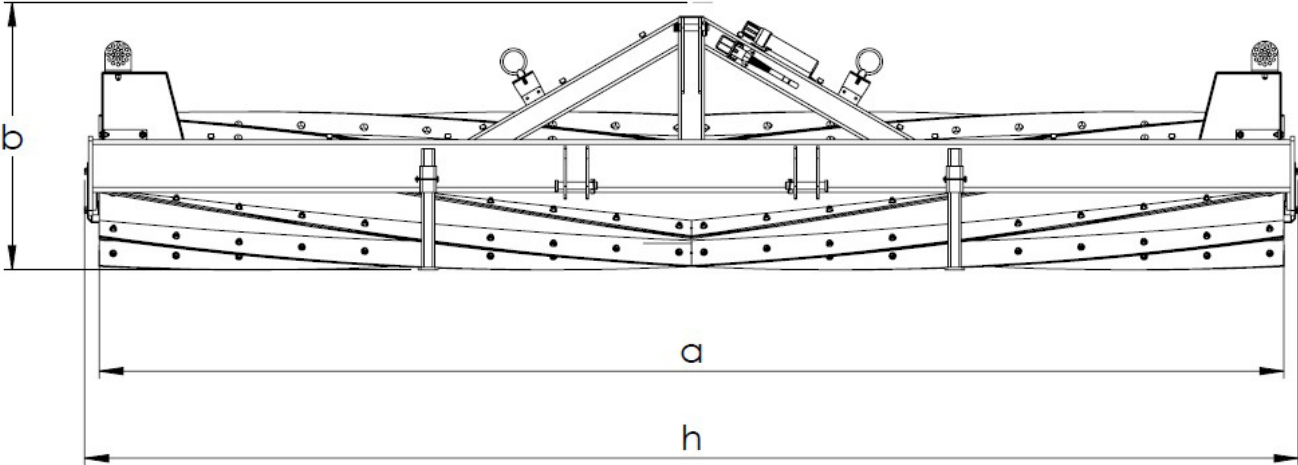
Section 7: REFERENCE

For information not included here, or for a digital copy of this manual, please call your dealer, or Mandako directly for assistance (1-888-525-5892).

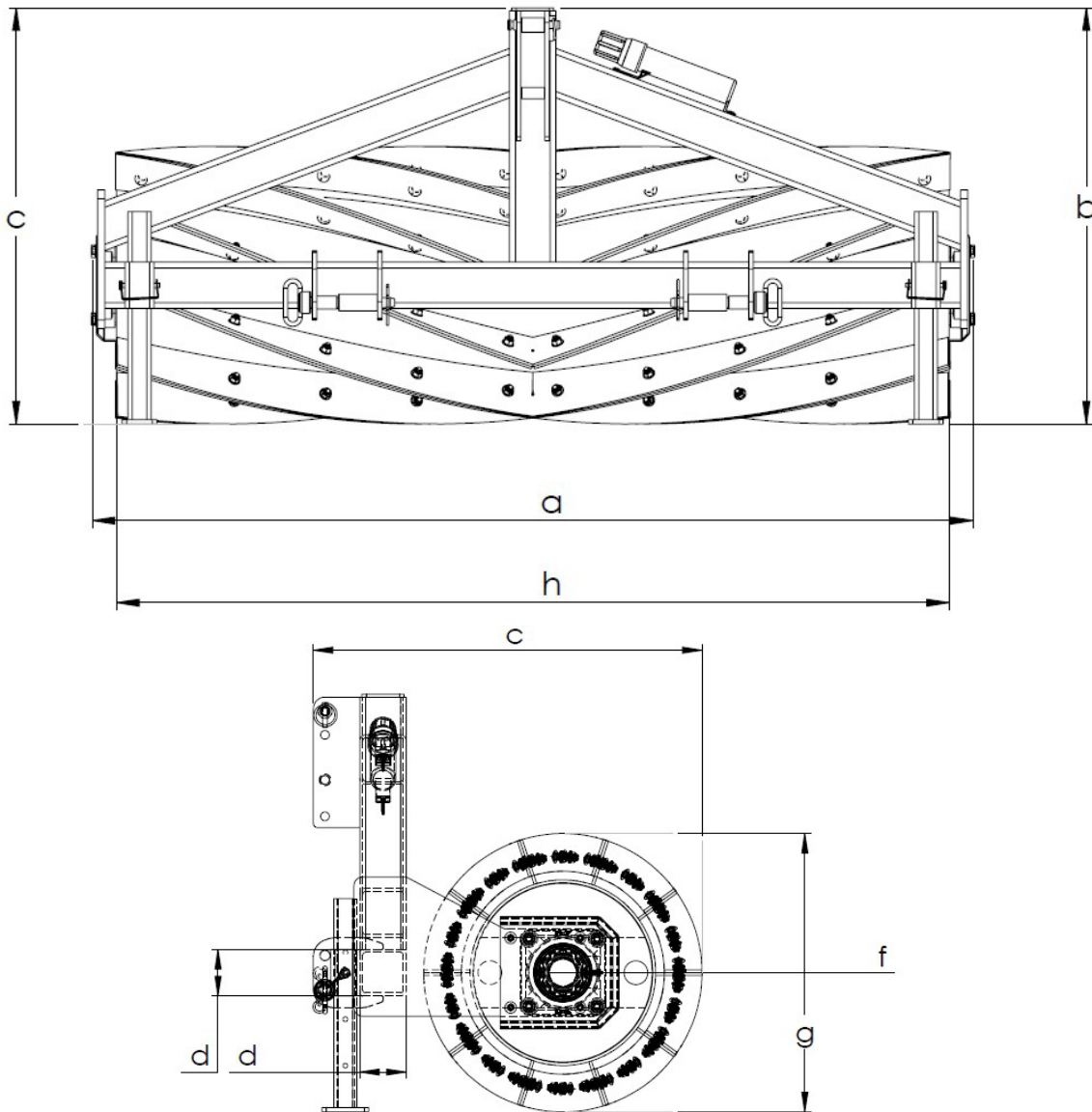
Specifications may change without notice.

7.1 MECHANICAL SPECIFICATIONS

12', 15'



6', 8', 10'



REDDI-LYNX Cover Crop Crimper Specs					
	LRB06	LRB08	LRB10	LRB12	LRB15
a) Width	76.25"	100.5"	124.5"	148.5"	184.5"
b) Height	36"	36"	36"	40.5"	40.5"
c) Length	33.5"	33.5"	33.5"	35"	35"
d) Frame Tubing	4" x 4"	4" x 4"	4" x 4"	8" x 4"	8" x 4"
e) Approximate Weights*	1039 lbs	1294 lbs	1545 lbs	1924 lbs	2313 lbs
f) Bearing ID	2.5"	2.5"	2.5"	2.5"	2.5"
g) Drum Size	24" x 72"	24" x 96"	24" x 120"	24" x 144"	24" x 180"

*Approximate weights (f) are for with the replacement blades.



REVISION: 1.0

PART #: R9912116

RELEASED: SEPTEMBER 6, 2023

Box 379 | 12159B Hwy 306

Plum Coulee, MB R0G 1R0

(888) 525-5892

info@mandako.com

www.mandako.com

MANDAKO AGRI MARKETING (2010) LTD.



Printed in Canada