



MANDAKO



3-PLEX LAND ROLLER 40 SERIES

PARTS MANUAL

Page intentionally left blank.

Box 379 | 12159B Hwy 306
Plum Coulee, MB R0G 1R0
Toll-Free: 1-888-525-5892
Telephone: (204) 829-3092
Fax: (204) 829-7712
Email: parts@mandako.com / info@mandako.com
<http://www.mandako.com/partsmanuals>

Overview

Machine Overview	4
Machine Dimensions	5

Main Assemblies

Hitch Frame Assembly.....	6
Hitch Frame Assembly.....	7
Main Frame Assembly	8
Main Frame Assembly	9
Right Wing Frame Assembly	10
Right Wing Frame Assembly	11
Left Wing Frame Assembly.....	12
Left Wing Frame Assembly.....	13

Axle Assemblies

Main Frame Axle Assembly	14
Rear Axle Assembly: Non Steering.....	15
Rear Axle Assembly: Single Steering	16
Rear Axle Assembly: Dual Steering.....	17
Hub/Spindle Assembly.....	18
Wheel Options	19

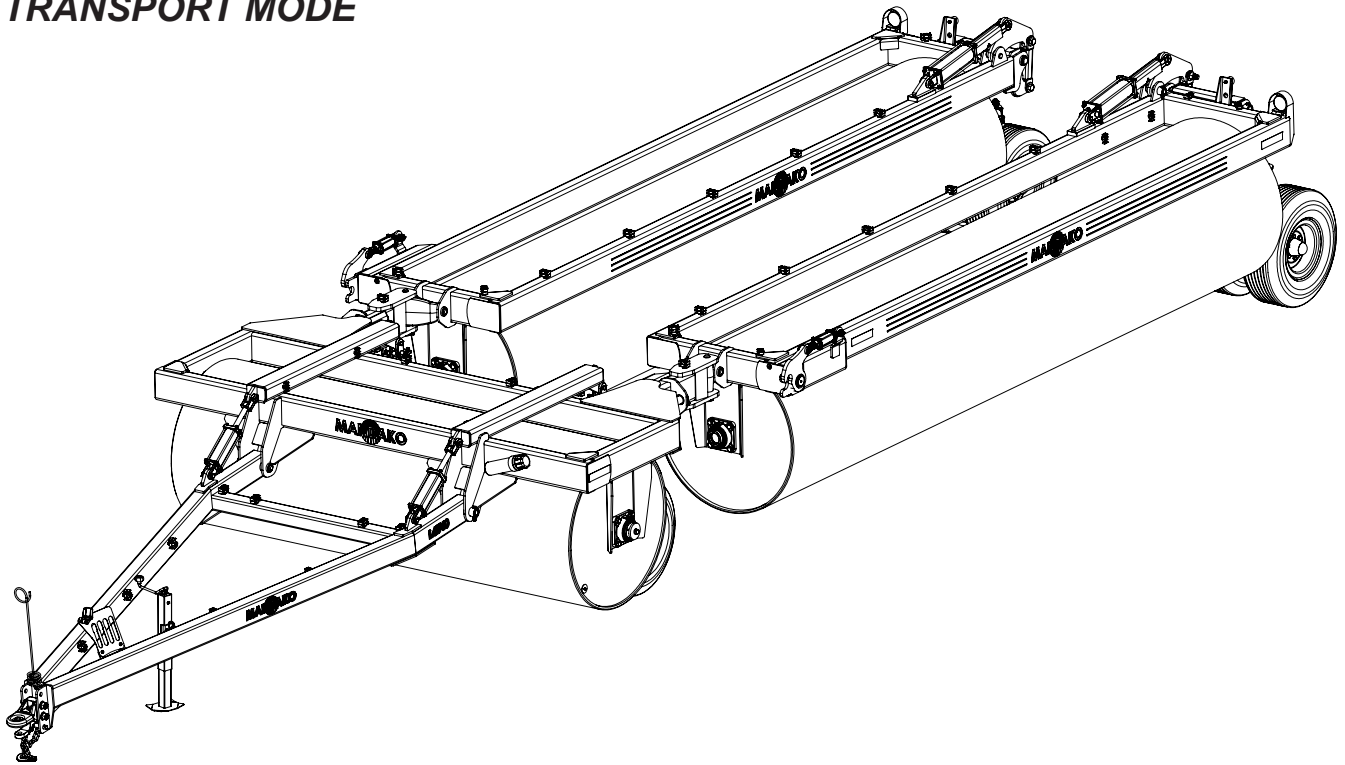
Hydraulic Schematics

Hitch Hydraulics.....	20
Wheel Lift Hydraulics.....	21
Wing Lock Hook Hydraulics.....	22
Rear Steering Hydraulics.....	23

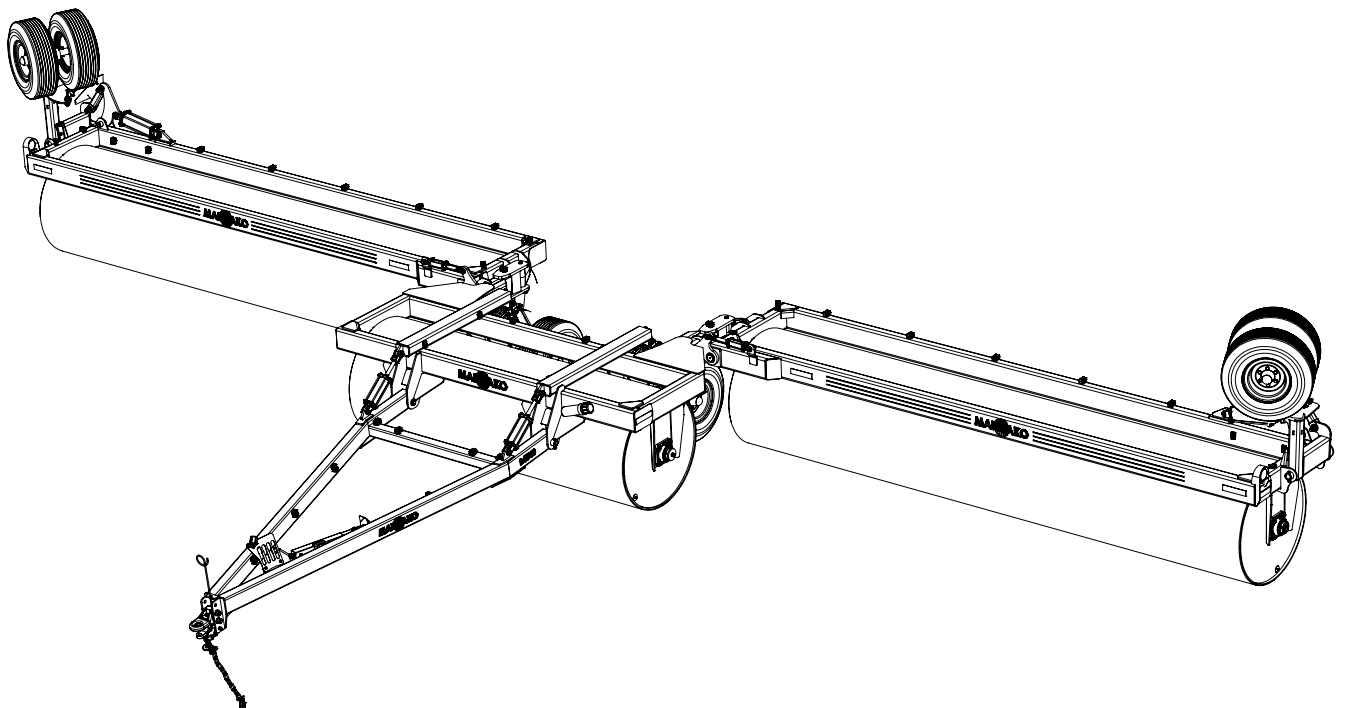
Acre Counter & Electrical

Acre Counter	24
Lighting & Electrical	25

TRANSPORT MODE



FIELD MODE



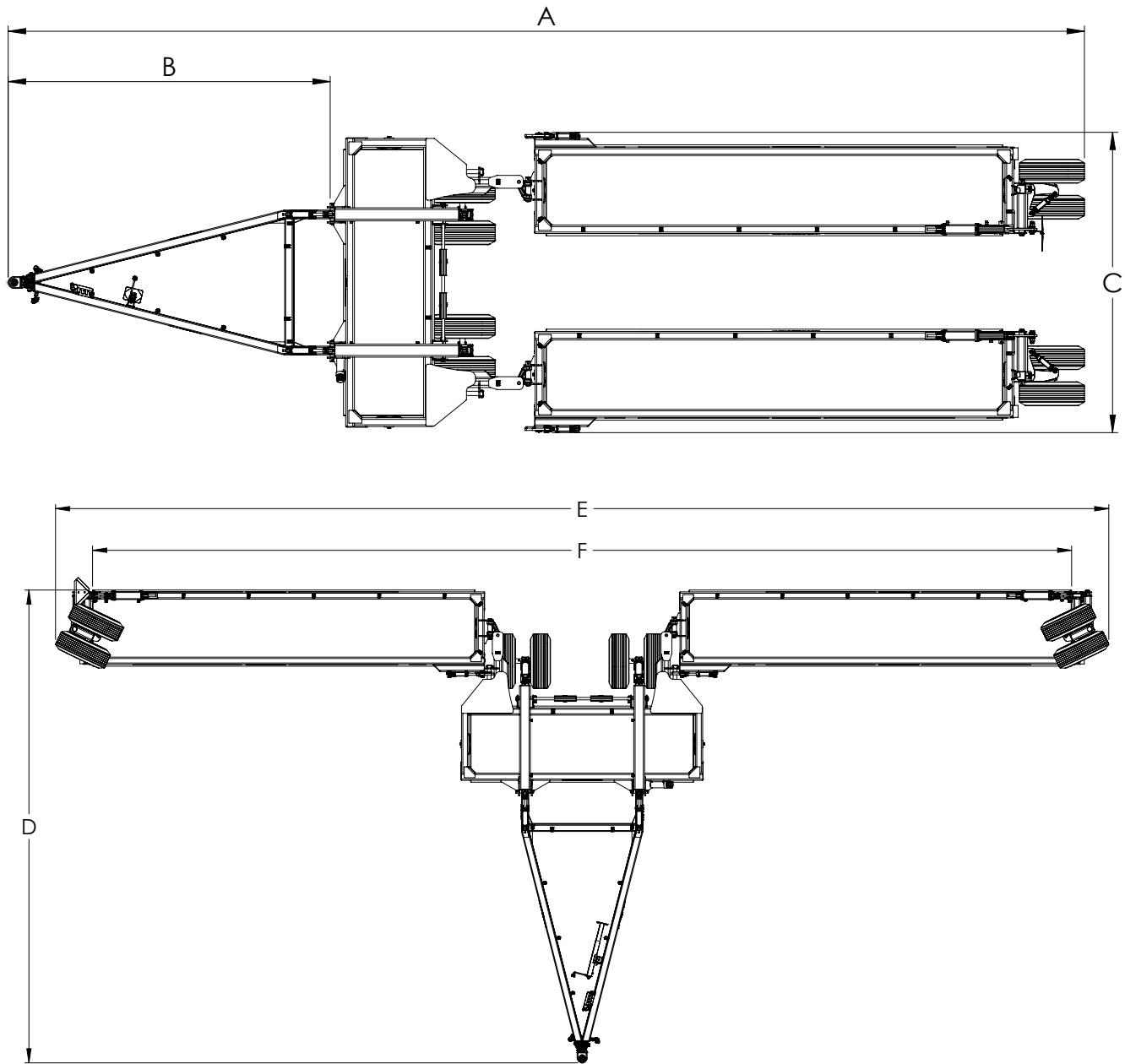


Table: A

Dimension	Unit Size					
	30'	34'	40'	42'	45'	50'
(A)	34'	36'	39'	40'	41'-6"	44'
(B)	13'	13'	13'	13'	13'	13'
(C)	11'-7"	11'-7"	11'-7"	11'-7"	11'-7"	11'-7"
(D)	21'-9"	21'-9"	21'-9"	21'-9"	21'-9"	21'-9"
(E)	36'-10"	40'-10"	46'-10"	48'-10"	51'-10"	56'-10"
(F)	30'	34'	40'	42'	45'	50'

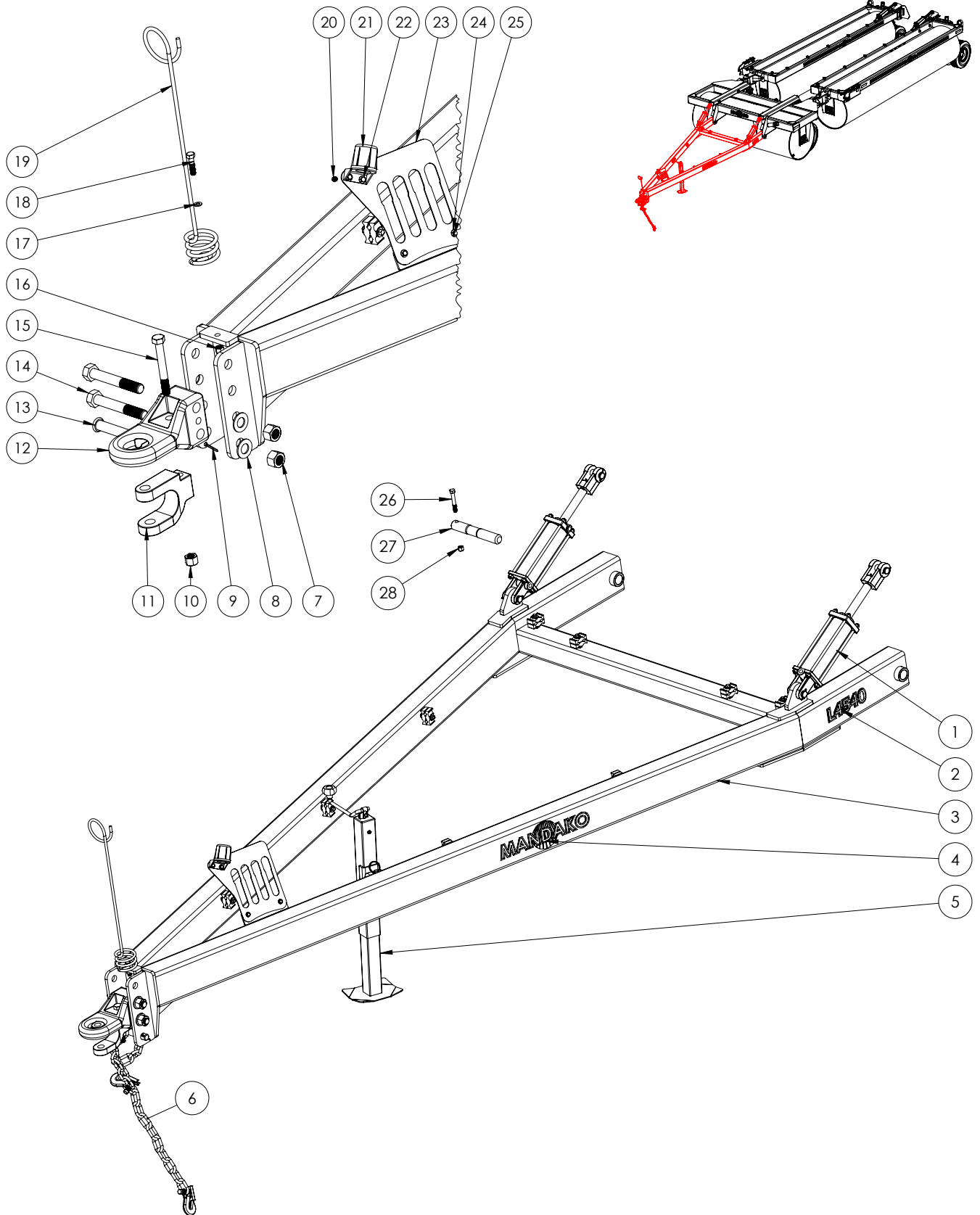
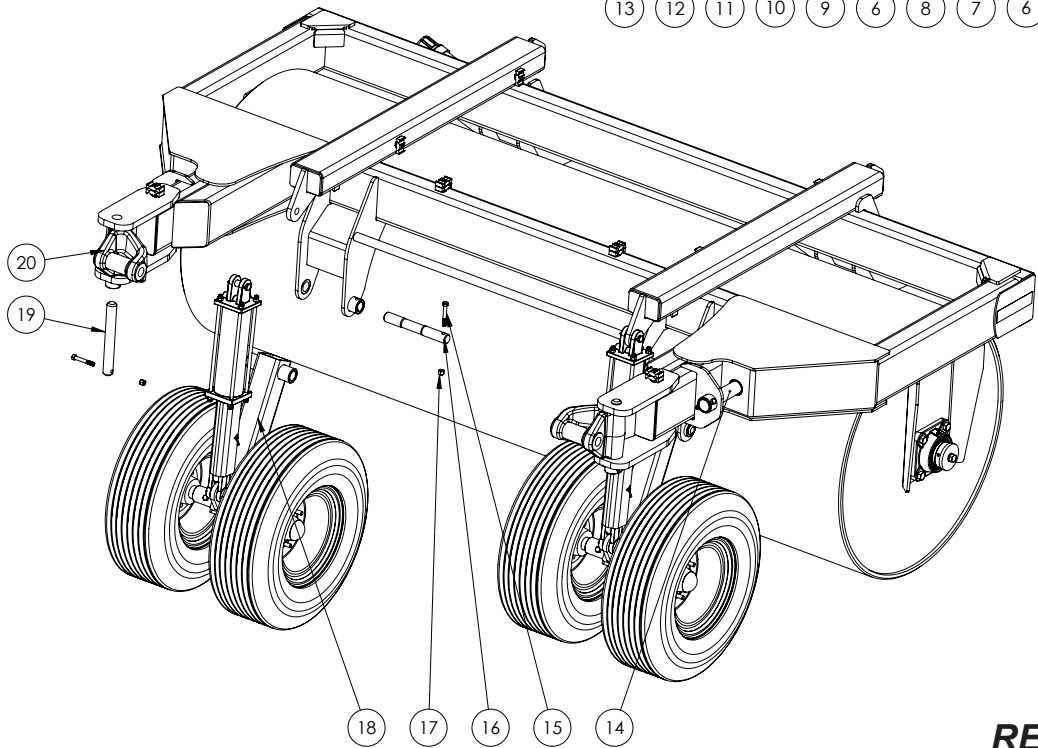
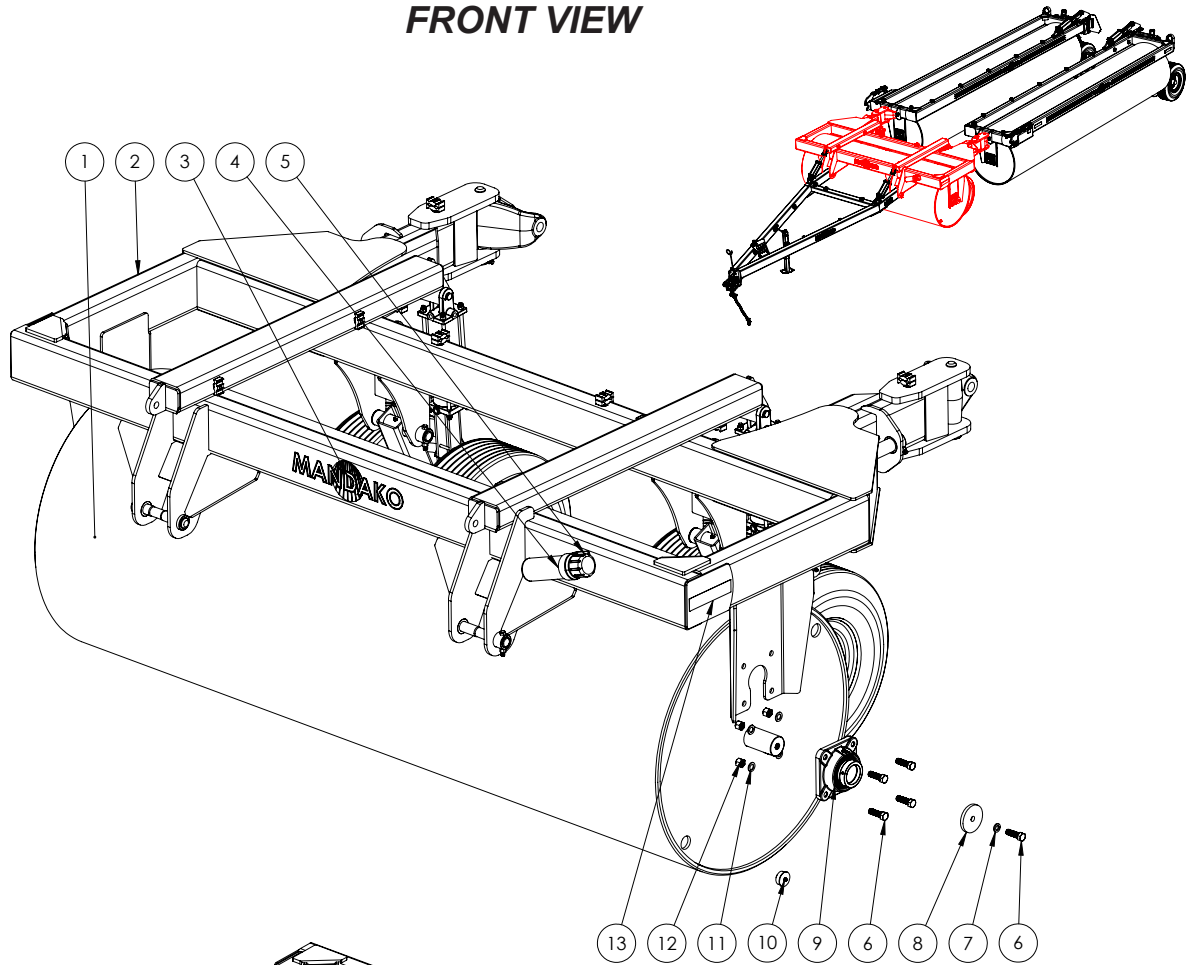


TABLE: B			
Item	Part #	Description	Qty
1	n/a	Hitch Hydraulics (See Page: 20)	
2	n/a	Decal: Model Number (See Table: C)	2
3	n/a	Hitch Frame (See Table: D)	1
4	R9913200	Decal, Mandako: 23.75" x 6.5"	2
5	R9909004	Hitch Jack: Square Receiver	1
6	R9910001	Safety Chain: 3/8" x 60"	1
7	R0430111	Nut, Lock: 1"	2
8	R0530211	Washer, Flat: 1"	4
9	R1618900	Cotter Pin: 3/16" x 2"	1
10	R0430109	Nut, Lock: 3/4"	
11	R9901005	Clevis Hitch Insert (Includes Items 10,15)	
12	R9901003	Pintle Hitch: Cat. 3, 3" Spacing	1
13	R0810601	Clevis Pin: 1" x 6"	1
14	R0131180	Bolt: 1" x 8"	2
15	R0130955	Bolt: 3/4" x 5-1/2"	
16	R0410106	Nut, Lock: 1/2"	1
17	R0510106	Washer, Flat: 1/2"	1
18	R0130620	Bolt: 1/2" x 2"	1
19	R1899001	Hose Retainer: 3/8" x 4" x 30"	1
20	R0430102	Nut, Lock : 1/4"	4
21	R1701018	Electrical Plug Protector: 7-Pin Round	1
22	R0130208	Bolt: 1/4" x 3/4"	2
23	PP010001	Storage Plate, Hydraulic Tips	1
24	R0510102	Washer, Flat: 1/4"	2
25	R0130210	Bolt: 1/4" x 1"	2
26	R0130635	Bolt: 1/2" x 3-1/2"	2
27	PR151002	Pin, w/Grease Groove: 1-1/2" x 10"	2
28	R0430106	Nut, Lock: 1/2"	2

TABLE: C			TABLE: D		
Unit Size	Part #	Description	Unit Size	Frame Only	Description
30	R9913012	Decal, L3040	30	WM005001	Frame, Hitch, Light Duty
34	R9913013	Decal, L3440	34	WM005001	Frame, Hitch, Light Duty
40	R9913014	Decal, L4040	40	WM005004	Frame, Hitch, Heavy Duty
42	R9913015	Decal, L4240	42	WM005004	Frame, Hitch, Heavy Duty
45	R9913016	Decal, L4540	45	WM005007	Frame, Hitch, Heavy Duty, w/Weights
50	R9913017	Decal, L5040	50	WM005007	Frame, Hitch, Heavy Duty, w/Weights

FRONT VIEW

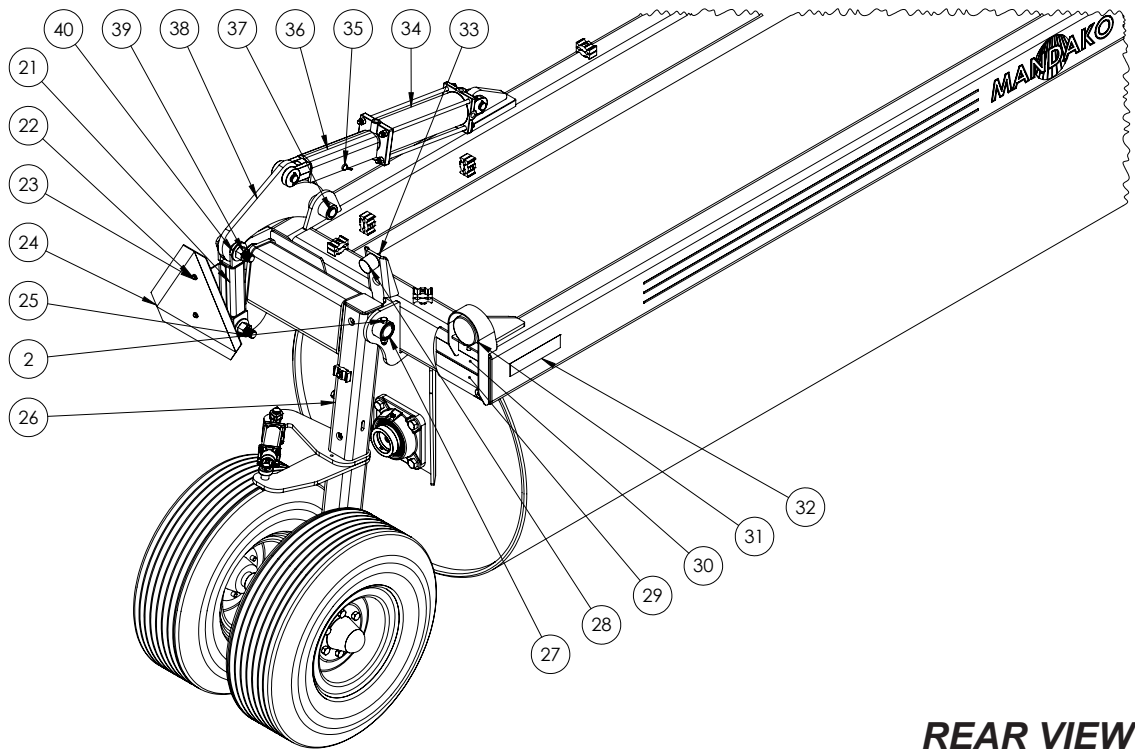
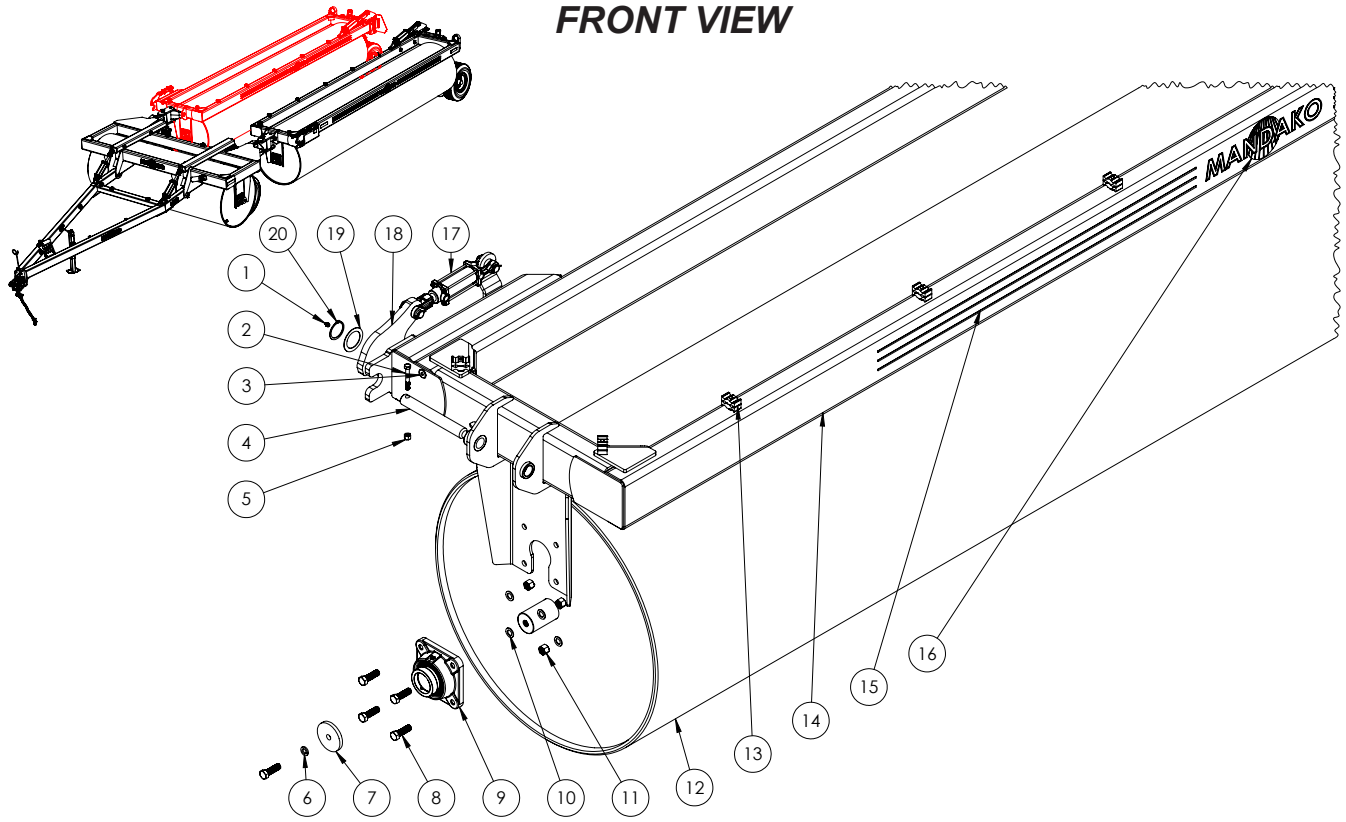


REAR VIEW

Item	Part #	Description	Qty
1	n/a	Land Roller Drum: 3-Plex, Main <i>(See Table: F)</i>	1
2	WM005300	Main Frame: 3-Plex, 40 Series	1
3	R9913200	Decal, Mandako Logo: 6-1/2" x 23-3/4"	2
4	R9912001	Canister, Manual: 3-1/4" x 12"	1
5	R2000000	Screw, Self-Tapping: #12 x 1-1/2"	2
6	R0120925	Bolt, Fine: 3/4" x 2-1/2"	10
7	R0610009	Washer, Lock: 3/4"	2
8	PP055038	Drum Washer: 1/2" x 4-1/4"	2
9 a)	R1100010	Bearing, Flange: 3" Bore, 4-Bolt x 6" Center - Center	2
9 b)	R1100016	Bearing Only: 3" Bore	
10	R9930002	Plug, Roller Drum: 2"	2
11	R0591009	Washer, Flat, Belleville: 3/4"	8
12	R0340109	Nut, Lock, Fine: 3/4"	8
13	R9913003	Decal, Retroreflective, Yellow: 2" x 9"	2
14	PR205001	Pin, Wing Hook: 2" x 9-1/4"	2
15	R0130635	Bolt: 1/2" x 3-1/2"	6
16	PR151005	Pin, w/Grease Groove: 1-1/2" x 11-1/2"	2
17	R0430106	Nut, Lock: 1/2"	6
18	AC005010	Main Frame Axle Assembly <i>(See Page: 14)</i>	2
19	PR151001	Pin: 1-1/2" x 12"	2
20	R9901004	Knuckle, Cast	2

Land Roller Drum	30" x 1/2" Wall	42" x 5/8" Wall	42" x 3/4" Wall
30' Main	WD051123	WD052123	WD053123
30' Wing	WD051121	WD052121	WD053121
34' Main	WD051123	WD052123	WD053123
34' Wing	WD051145	WD052145	WD053145
40' Main	WD051123	WD052123	WD053123
40' Wing	WD051181	WD052181	WD053181
42' Main	WD051123	WD052123	WD053123
42' Wing	WD051193	WD052193	WD053193
45' Main	WD051123	WD052123	WD053123
45' Wing	WD051211	WD052211	WD053211
50' Main	WD051123	WD052123	WD053123
50' Wing	WD051241	WD052241	WD053241

FRONT VIEW



REAR VIEW

Table: G			
Item	Part #	Description	Qty
1	R1502504	Zerk, Grease: 1/8" - 27 NPT	1
2	R0130635	Bolt: 1/2" x 3-1/2"	2
3	R9911005	Grommet: 3/8"ID x 1-1/4"OD	2
4	PR151003	Pin, 1-1/2" x 11-1/2"	1
5	R0430106	Nut, Lock: 1/2"	2
6	R0610009	Washer, Lock: 3/4"	2
7	PP055038	Drum Washer: 1/2" x 4-1/4"	2
8	R0120925	Bolt, Fine: 3/4" x 2-1/2"	10
9 a)	R1100010	Bearing, Flange: 3" Bore, 4-Bolt x 6" Center - Center	2
9 b)	R1100016	Bearing only: 3" Bore	
10	R0591009	Washer, Flat, Belleville: 3/4"	8
11	R0340109	Nut, Fine, Lock: 3/4"	8
12	n/a	Drum (See Table: F on Page: 9)	1
13	R1804004	Hydraulic Hose Clamp: Dual	
14	n/a	Wing Frame: Left (See Table: H)	1
15	R9913202	Decal, Pin Stripe: 3" x 60"	4
16	R9913200	Decal, Mandako Logo: 6-1/2" x 23-3/4"	2
17	n/a	Wing Lock Hook Hydraulics (See Page: 22)	
18	WC005052	Wing Lock Hook: Right	1
19	PG102003	Machinery Bushing: 14ga x 2-1/2"ID x 3-1/2"OD	1
20	R1625001	Snap Ring: 2-1/2"	1
21	WC005095	Rear Axle Lift Link, w/SMV Mount	1
22	R0430102	Washer, Flat: 1/4"	2
23	R0130210	Bolt: 1/4"x 1"	2
24	R9913001	SMV Sign	1
25	R0131150	Bolt: 1" x 5"	2
26	n/a	Rear Axles (See Pages: 15-17)	
27	PR205002	Pin: 2" x 26"	1
28	R9911002	Bumper, Rubber: 2" x 1-5/8"	1
29	R9913002	Decal, Retroreflective, Red: 2" x 9"	1
30	R9913004	Decal, Flourescent Orange: 2" x 9"	1
31	n/a	Lighting & Electrical (See Page: 25)	
32	R9913003	Decal, Retroreflective, Yellow: 2" x 9"	2
33	R0410104	Nut, Lock: 3/8"	1
34	n/a	Wheel Lift Hydraulics (See Page: 21)	
35 a)	R0804281	Pin, Wire Latch: 3/8" x 2-1/2"	1
35 b)	R0804300	Pin, Wire Latch: 3/8" x 3"	
36 a)	PP032021	Cylinder Stop: 1-1/2" x 12" (Includes Item 35a)	1
36 b)	PP042014	Cylinder Stop: 2" x 12" (Includes Item 35b)	
37	PR132001	Pin: 1-1/4" x 6"	1
38	WC005054	Swivel Axle Bracket	1
39	R0430111	Nut, Lock: 1"	2
40	R0510111	Washer, Flat: 1"	4

Table: H						
	Unit Size					
Side	30'	34'	40'	42'	45'	50'
Left	WM005130	WM005134	WM005140	WM005142	WM005145	WM005150

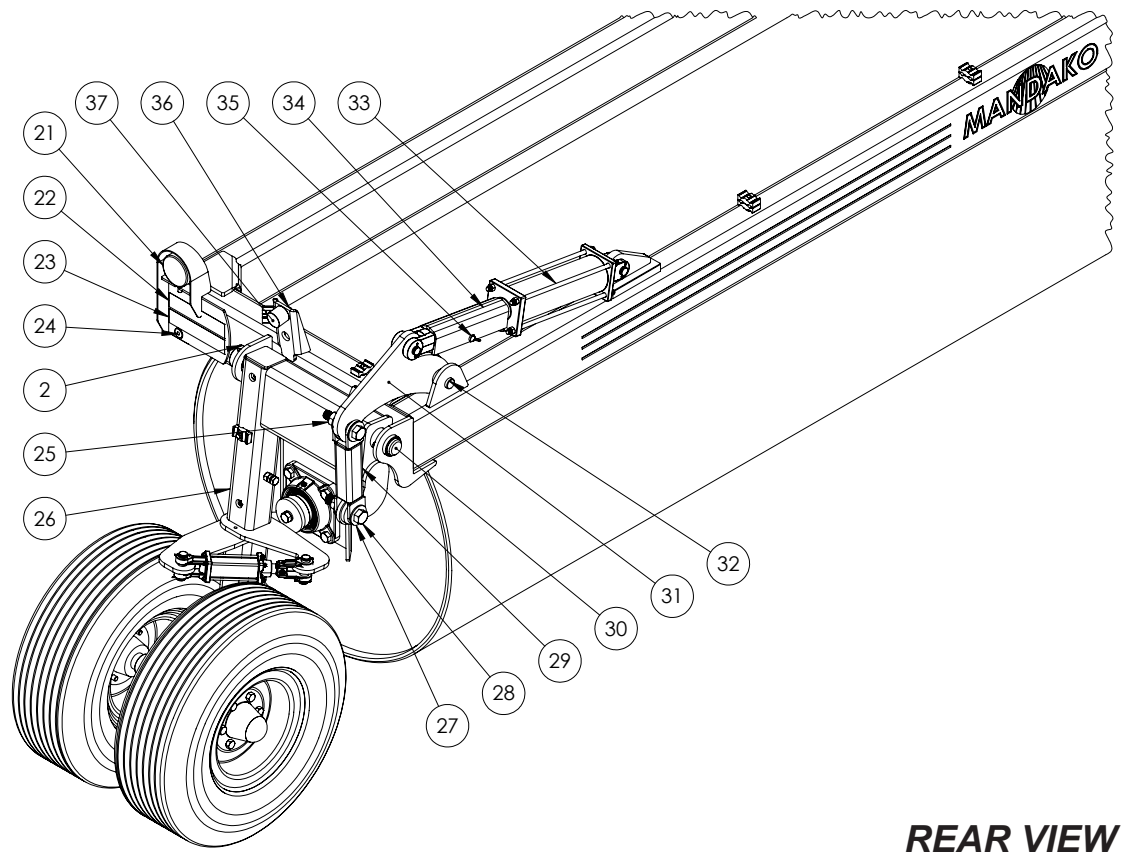
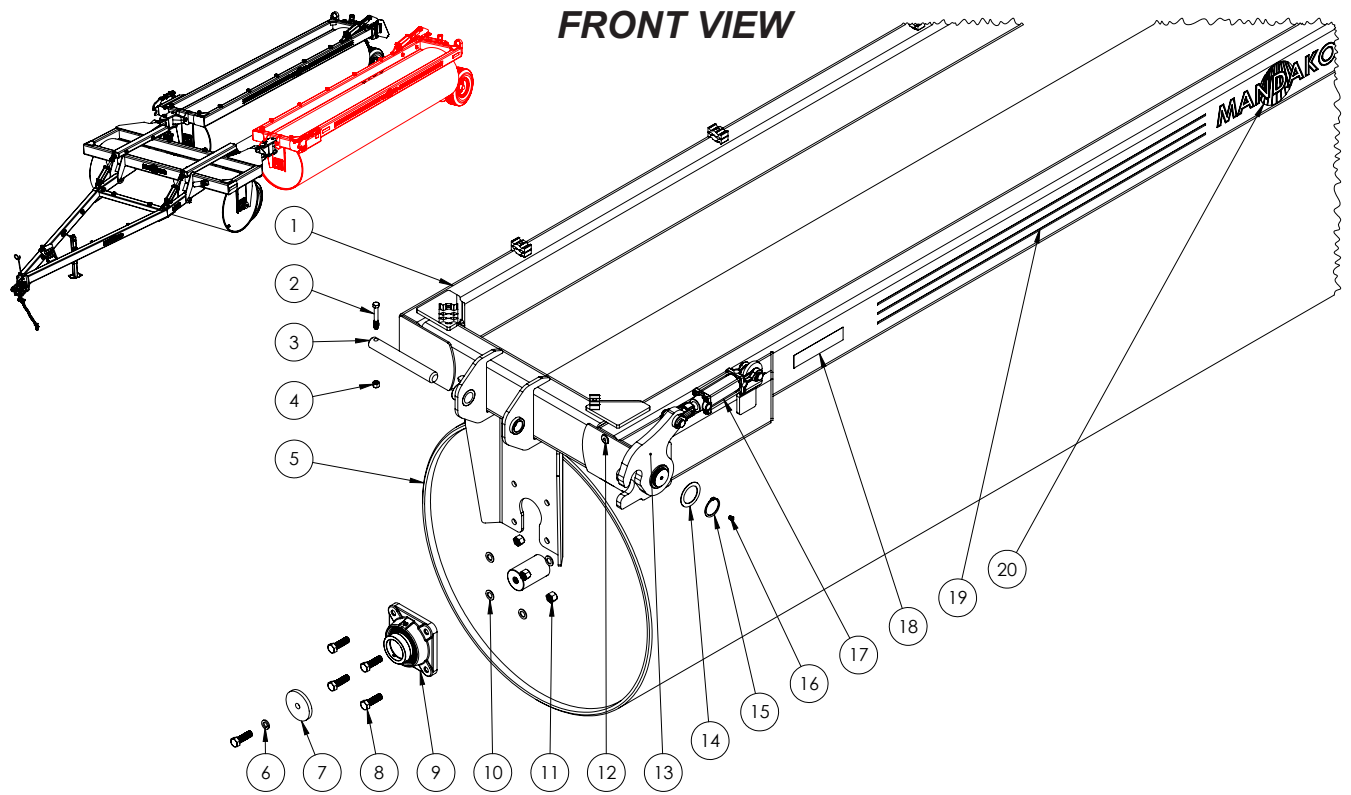


Table: I			
Item	Part #	Description	Qty
1	n/a	Wing Frame: Left (See Table: J)	1
2	R0130635	Bolt: 1/2" x 3-1/2"	2
3	PR151003	Pin, 1-1/2" x 11-1/2"	1
4	R0430106	Nut, Lock: 1/2"	2
5	n/a	Drum (See Table: F on Page: 9)	1
6	R0610009	Washer, Lock: 3/4"	2
7	PP055038	Drum Washer: 1/2" x 4-1/4"	2
8	R0120925	Bolt, Fine: 3/4" x 2-1/2"	10
9 a)	R1100010	Bearing, Flange: 3" Bore, 4-Bolt x 6" Center - Center	2
9 b)	R1100016	Bearing only: 3" Bore	
10	R0591009	Washer, Flat, Belleville: 3/4"	8
11	R0340109	Nut, Fine, Lock: 3/4"	8
12	R9911005	Grommet: 3/8"ID x 1-1/4"OD	1
13	WC005053	Wing Lock Hook: Left	1
14	PG102003	Machinery Bushing: 14ga x 2-1/2"ID x 3-1/2"OD	1
15	R1625001	Snap Ring: 2-1/2"	1
16	R1502504	Zerk, Grease: 1/8" - 27 NPT	1
17	n/a	Wing Lock Hook Hydraulics (See Page: 22)	
18	R9913003	Decal, Retroreflective, Yellow: 2" x 9"	2
19	R9913202	Decal, Pin Stripe: 3" x 60"	4
20	R9913200	Decal, Mandako Logo: 6-1/2" x 23-3/4"	2
21	n/a	Lighting & Electrical (See Page: 25)	
22	R9913004	Decal, Flourescent Orange: 2" x 9"	1
23	R9913002	Decal, Retroreflective, Red: 2" x 9"	1
24	R9911005	Grommet: 3/8"ID x 1-1/4"OD	1
25	R0430111	Nut, Lock: 1"	2
26	n/a	Rear Axles (See Pages: 15-17)	
27	R0510111	Washer, Flat: 1"	4
28	R0131150	Bolt: 1" x 5"	2
29	WC005055	Rear Axle Lift Link	1
30	PR205002	Pin: 2" x 26"	1
31	WC005054	Swivel Axle Bracket	1
32	PR132001	Pin: 1-1/4" x 6"	1
33	n/a	Wheel Lift Hydraulics (See Page: 21)	
34 a)	PP032021	Cylinder Stop: 1-1/2" x 12" (Includes Item 35a)	1
34 b)	PP042014	Cylinder Stop: 2" x 12" (Includes Item 35b)	
35 a)	R0804281	Pin, Wire Latch: 3/8" x 2-1/2"	1
35 b)	R0804300	Pin, Wire Latch: 3/8" x 3"	
36	R0410104	Nut, Lock: 3/8"	1
37	R9911002	Bumper, Rubber: 2" x 1-5/8"	1

Table: J						
Side	Unit Size					
	30'	34'	40'	42'	45'	50'
Left	WM005230	WM005234	WM005240	WM005242	WM005245	WM005250

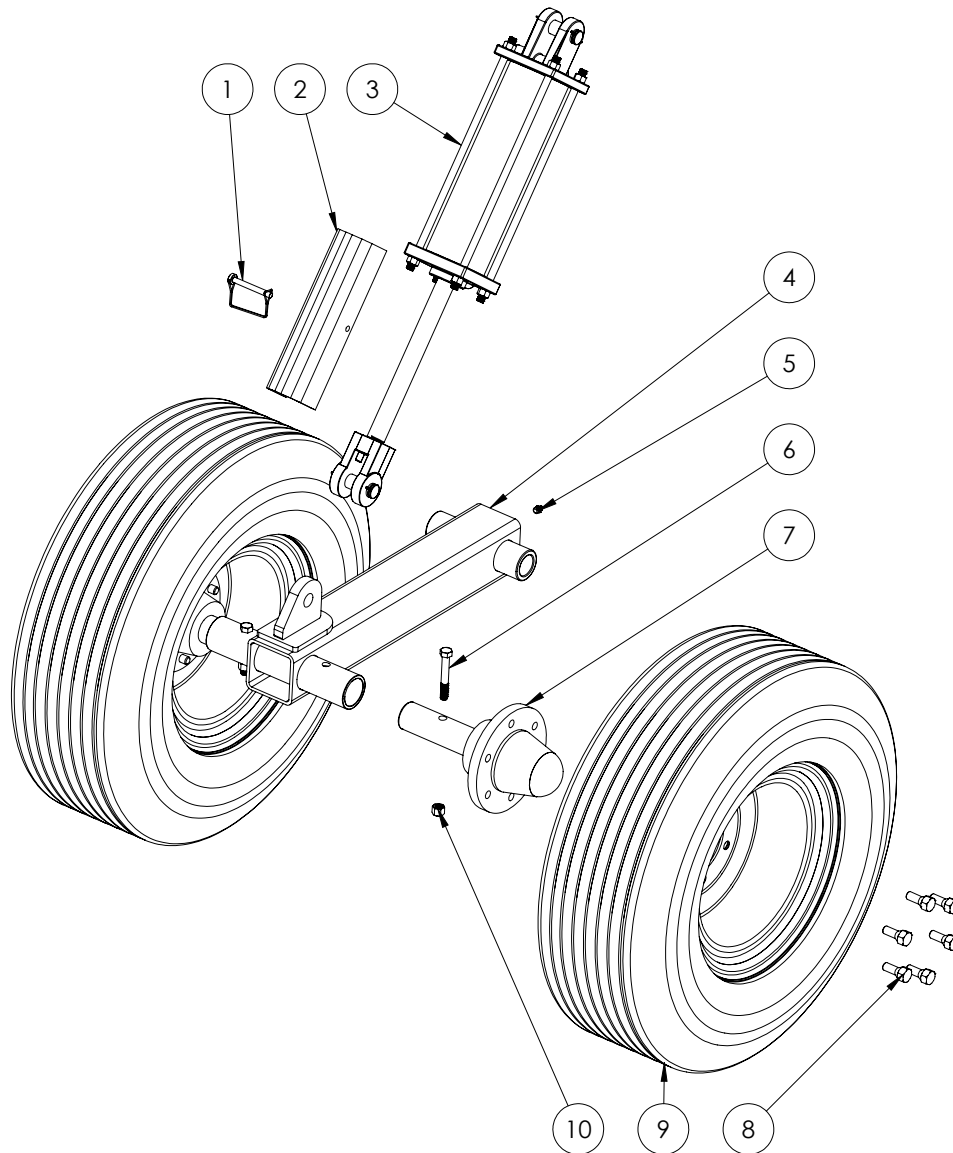


Table: K

Item	Part #	Description	Qty
1	R0804281	Pin, Wire Latch: 3/8" x 2-1/2"	1
2	PP032021	Cylinder Stop: 1-1/2" x 12" <i>(Includes Item 1)</i>	1
3	n/a	Wheel Lift Hydraulics <i>(See Page: 21)</i>	
4	WC005056	Front Axle Arm	1
5	R1502501	Zerk, Grease: 1/8"-27 NPT	1
6	R0130635	Bolt: 1/2" x 3-1/2"	2
7	n/a	Hub/Spindle Assembly: 6-Bolt <i>(See Page: 18)</i>	2
8	R0150713	Bolt, Lug, 90°: 9/16" x 1-1/4"	12
9 a)	n/a	Wheel & Tire Assembly <i>(See Page: 19)</i>	2
9 b)	n/a	Tire: ST235/80 R16E <i>(See Page: 19)</i>	
9 c)	n/a	Wheel: 16" x 6", 6-Bolt <i>(See Page: 19)</i>	
10	R0430106	Nut, Lock: 1/2"	2

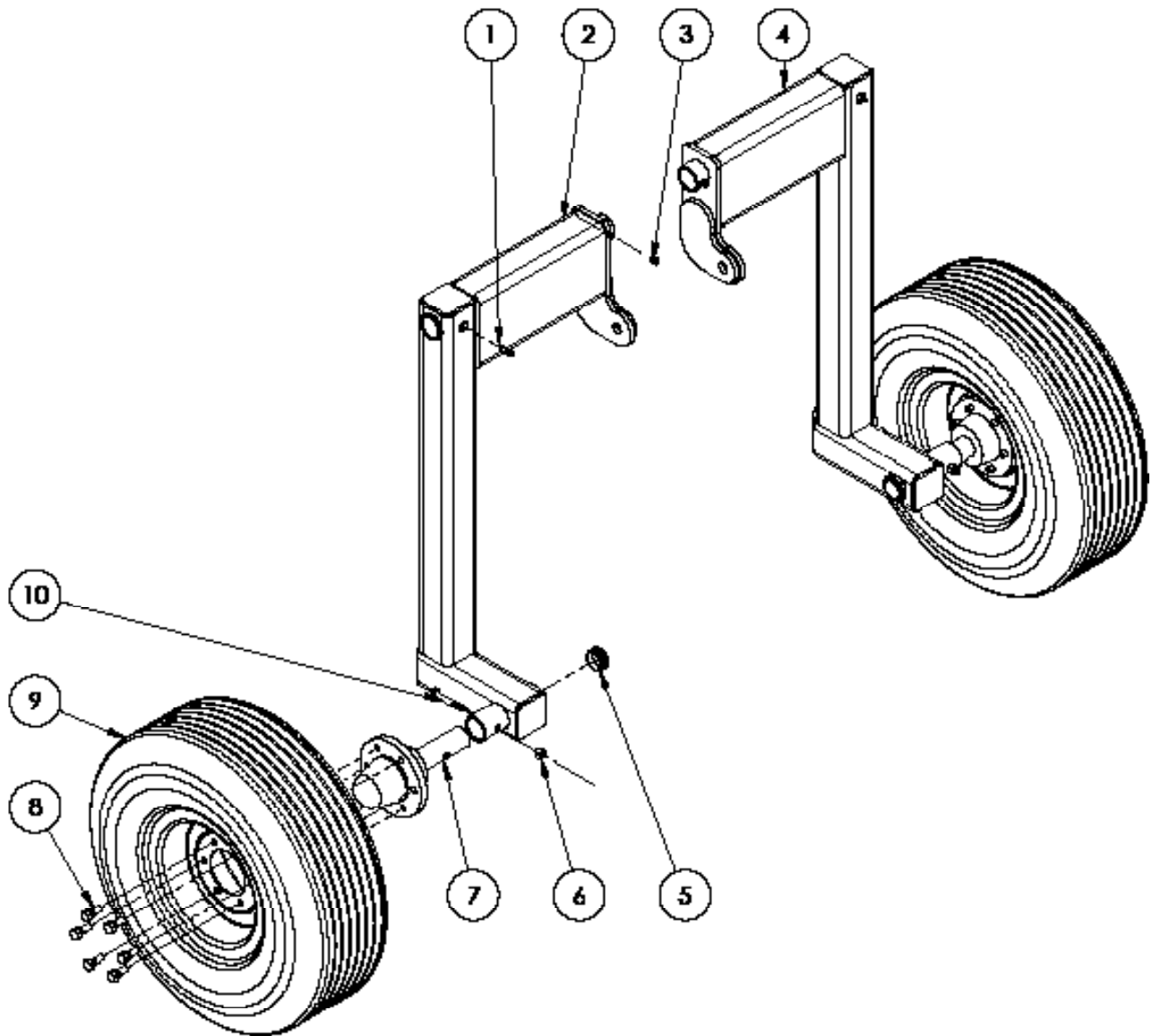


Table: L

Item	Part #	Description	Qty
1	R1502509	Grease Zerk, Long: 1/8" NPT	2
2	WC005042	Rear Axle Frame, Non-Steering: Left	1
3	R1502503	Grease Zerk, 90°, 1/8" NPT	2
4	WC005043	Rear Axle, Non-Steering: Right	1
5	R9900001	Plastic Plug: 2"	2
6	R0430106	Nut, Lock: 1/2"	2
7	n/a	Hub/Spindle Assembly: 6-Bolt (See Page: 18)	2
8	R0150713	Bolt, Lug, 90°: 9/16" x 1-1/4"	12
9 a)	n/a	Assembly, Wheel & Tire (See Page: 19)	2
9 b)	n/a	Tire: ST235/80 R16E (See Page: 19)	
9 c)	n/a	Wheel: 16" x 6", 6-Bolt (See Page: 19)	
10	R0130635	Bolt: 1/2" x 3-1/2"	2

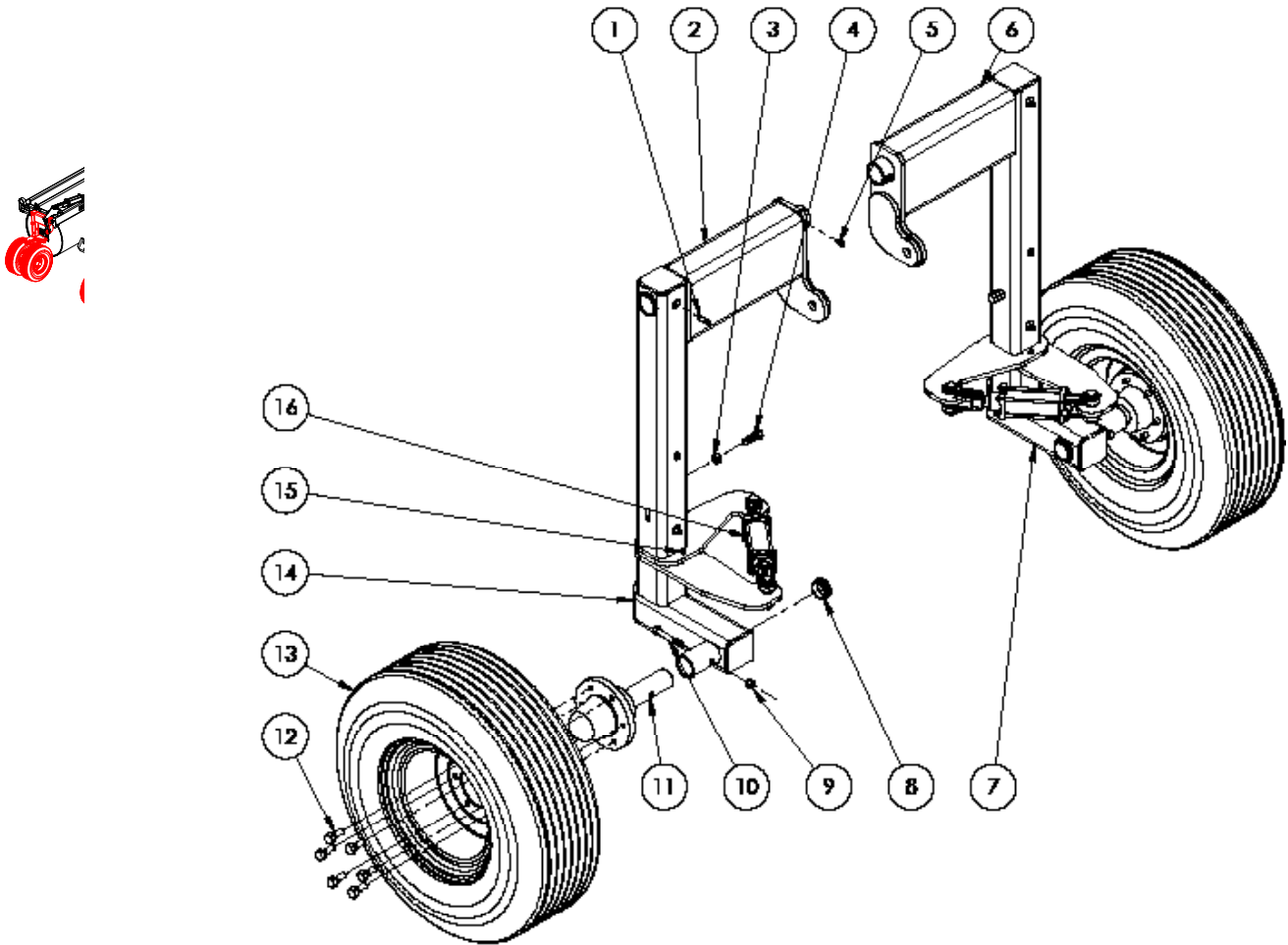


Table: M

Item	Part #	Description	Qty
1	R1502509	Grease Zerk, Long: 1/8" NPT	2
2	WC005040	Rear Axle Frame, Single Steering: Upper, Left	1
3	R0310308	Nut, Jam: 5/8"	2
4	PM062001	Steering Pin Security Bolt: 5/8" x 2"	2
5	R1502503	Grease Zerk, 90°, 1/8" NPT	2
6	WC005041	Rear Axle Frame, Single Steering: Upper, Right	1
7	WC005047	Rear Axle Frame, Single Steering: Lower, Right	1
8	R9900001	Round Plug: 2"	2
9	R0430106	Nut, Lock: 1/2"	2
10	R0130635	Bolt: 1/2" x 3-1/2"	2
11	n/a	Hub/Spindle Assembly: 6-Bolt (See Page: 18)	2
12	R0150713	Bolt, Lug, 90°: 9/16" x 1-1/4"	12
13 a)	n/a	Assembly, Wheel & Tire (See Page: 19)	2
13 b)	n/a	Tire: ST235/80 R16E (See Page: 19)	
13 c)	n/a	Wheel: 16" x 6", 6-Bolt (See Page: 19)	
14	WC005046	Rear Axle Frame, Single Steering: Lower, Left	1
15	R1502504	Grease Zerk: 1/8" NPT	2
16	n/a	Rear Steering Hydraulics (See Page: 23)	

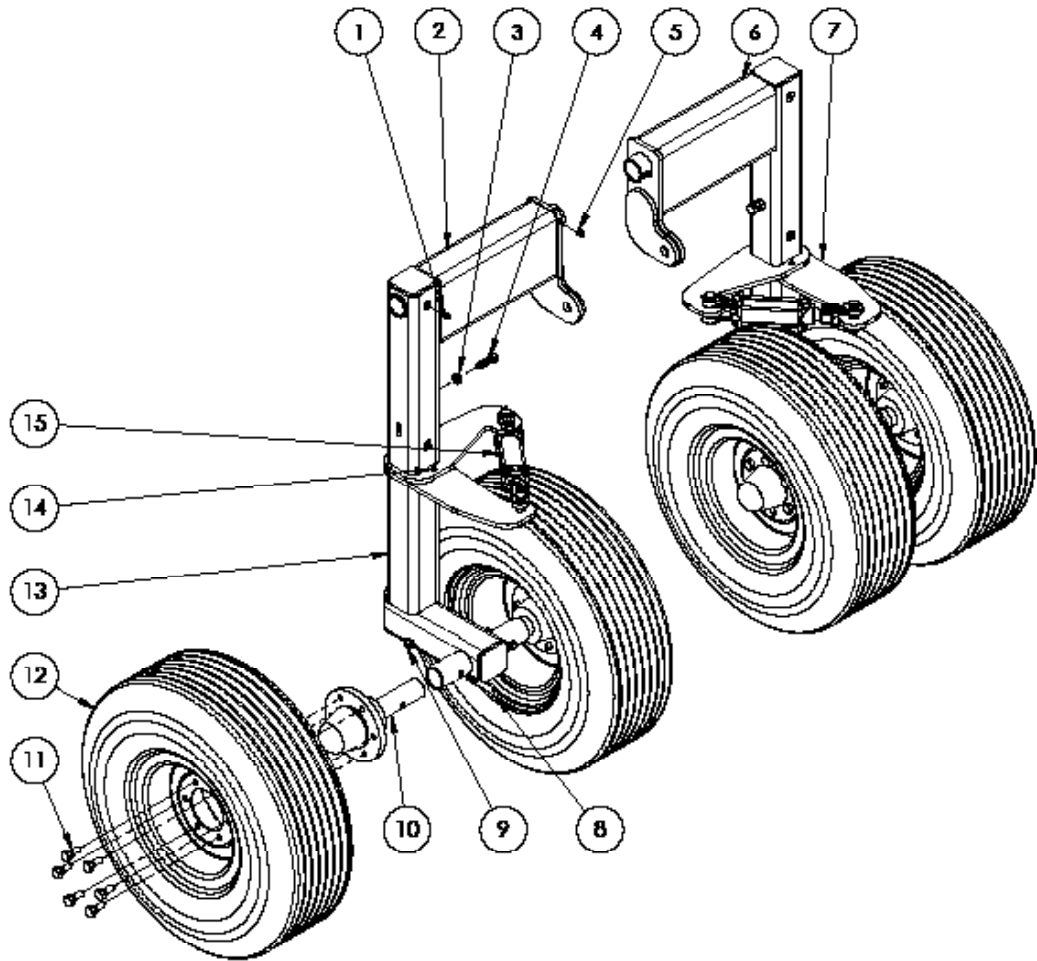


Table: N

Item	Part #	Description	Qty
1	R1502509	Grease Zerk, Long: 1/8" NPT	2
2	WC005044	Rear Axle Frame, Dual Steering: Upper, Left	1
3	R0310308	Nut, Jam: 5/8"	2
4	PM062001	Steering Pin Security Bolt: 5/8" x 2"	2
5	R1502503	Grease Zerk, 90°, 1/8" NPT	2
6	WC005045	Rear Axle Frame, Dual Steering: Upper, Right	1
7	WC005049	Rear Axle Frame, Dual Steering: Lower, Right	1
8	R0130635	Bolt: 1/2" x 3-1/2"	2
9	R0430106	Nut, Lock: 1/2"	2
10	n/a	Hub/Spindle Assembly: 6-Bolt (See Page: 18)	2
11	R0150713	Bolt, Lug, 90°: 9/16" x 1-1/4"	12
12 a)	n/a	Assembly, Wheel & Tire (See Page: 19)	2
12 b)	n/a	Tire: ST235/80 R16E (See Page: 19)	
12 c)	n/a	Wheel: 16" x 6", 6-Bolt (See Page: 19)	
13	WC005048	Rear Axle Frame, Dual Steering: Lower, Left	1
14	R1502504	Grease Zerk: 1/8" NPT	2
15	n/a	Rear Steering Hydraulics (See Page: 23)	

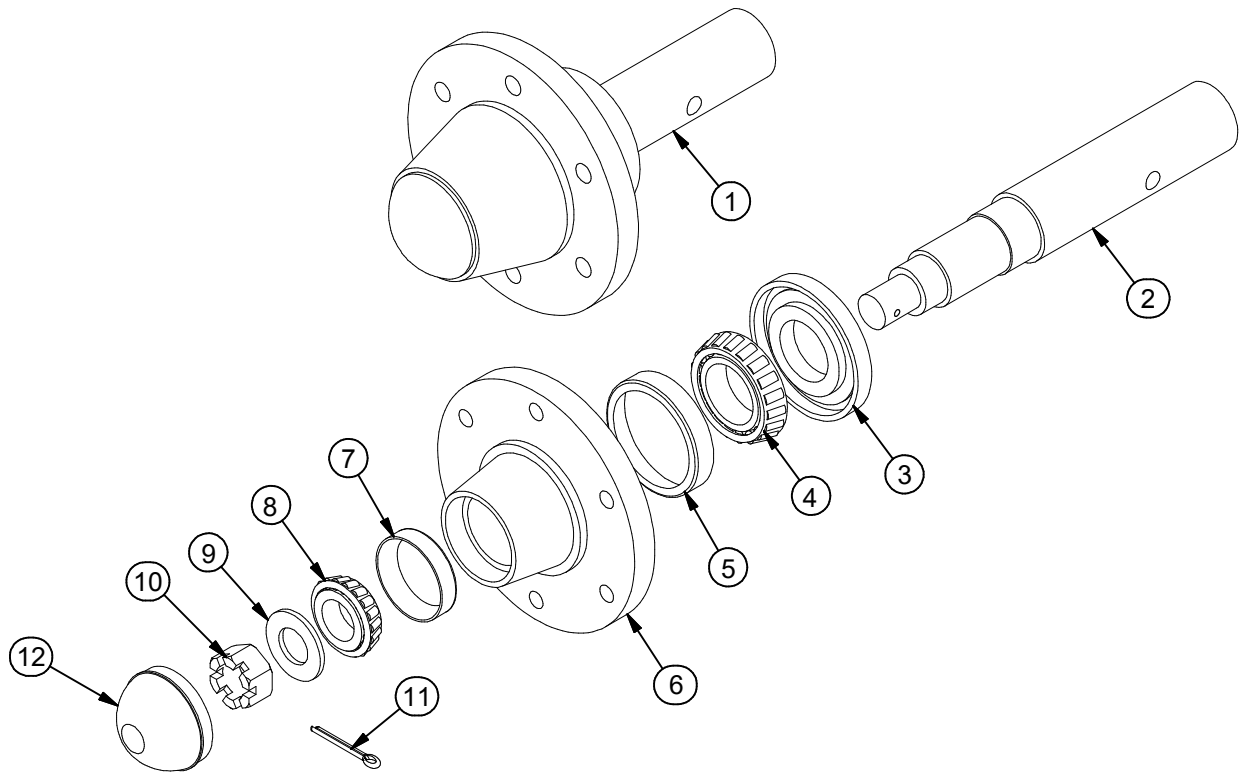


Table: O

Item #	Part #	Description	Reference #
1	R9903001-04	Complete Hub/Spindle Assembly: 6-Bolt: 3-1/4" Seal-Hole	
2	R9904001	Spindle, 6-Bolt: 3-1/4" Seal-Hole	
3 a)	R1320001	Seal, Grease, 6-Bolt: Single Lip (Canada Only)	SE30
3 b)	R1320001-02	Seal, Grease, 6-Bolt: Labyrinth	
4 a)	R1100013	Bearing, Tapered: 6-Bolt: Inner (Canada Only)	25580
4 b)	R1100013-01	Bearing, Tapered: 6-Bolt: Inner (Premium)	25580
5 a)	R1200003	Race, 6-Bolt: Inner (Canada Only)	25520
5 b)	R1200003	Race, 6-Bolt: Inner (Premium)	25520
6	R9905001-01	Hub, Cast, 6-Bolt (Includes items 5b & 7b)	HA618
7 a)	R1200004	Race, 6-Bolt: Outer (Canada Only)	LM48510
7 b)	R1200004-01	Race, 6-Bolt: Outer (Premium)	LM48510
8 a)	R1100012	Bearing, Tapered: 6-Bolt Outer (Canada Only)	LM48548
8 b)	R1100012-01	Bearing, Tapered: 6-Bolt Outer (Premium)	LM48548
9	R0590100	Washer, Flat, Hardened: 1"	
10	R1410001	Nut, Castle, Fine: 1"	
11	R1618900	Pin, Cotter: 3/16" x 2"	
12	R9906001	Dust Cap: 6-Bolt	DC-15
*	KB100001	Rebuild Kit, 6-Bolt (Includes all "a" item's from 3,4,5,7,8) (Canada Only)	
*	KB100001-11	Premium Rebuild Kit, 6-Bolt (Includes all "b" item's from 3,4,5,7,8)	
*	KB100001-12	Premium Rebuild Kit (Gold), 6-Bolt (Includes all "b" item's from 3,4,5,7,8,10,11,12)	



STYLE A



STYLE B

Table: P			
Item	Part #	Description	Style
1	R9908002	Wheel Only, Implement, Yellow: 16" x 6", 6"-6-Bolt, +1-1/8"Offset	A
2	R9908002-01	Wheel Only, Implement, Black: 16" x 6", 6"-6-Bolt, +1-1/8"Offset	A
3	R9908002-02	Wheel Only, Implement, Yellow: 16" x 6", 6"-6-Bolt, +1-1/8"Offset	B
4	R9908002-03	Wheel Only, Implement, Black: 16" x 6", 6"-6-Bolt, +1-1/8"Offset	B
5	KW100001	Wheel & Tire Assembly, Yellow: 6"-6-Bolt, +1-1/8"Offset, ST235/80R16E, 10 Ply	A
6	KW100001-01	Wheel & Tire Assembly, Black: 6"-6-Bolt, +1-1/8"Offset, ST235/80R16E, 10 Ply	A
7	KW100001-02	Wheel & Tire Assembly, Yellow: 6"-6-Bolt, +1-1/8"Offset, ST235/80R16E, 10 Ply	B
8	KW100001-03	Wheel & Tire Assembly, Black: 6"-6-Bolt, +1-1/8"Offset, ST235/80R16E, 10 Ply	B
9	R9907002	Tire Only, Implement: ST235/80R16E, 10 Ply	

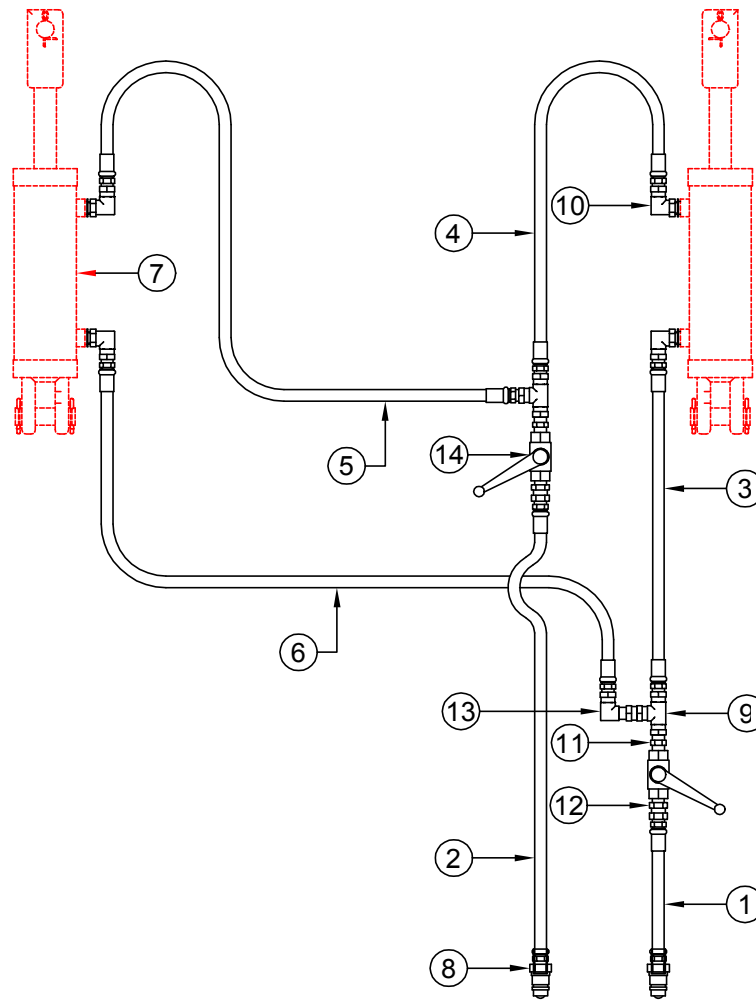


Table: Q

Item #	Part #	Description	Seal Kit #
1	n/a	Hydraulic Hose: 3/8" x 174"	
2	n/a	Hydraulic Hose: 3/8" x 174"	
3	n/a	Hydraulic Hose: 3/8" x 20"	
4	n/a	Hydraulic Hose: 3/8" x 22"	
5	n/a	Hydraulic Hose: 3/8" x 67"	
6	n/a	Hydraulic Hose: 3/8" x 55"	
7 a)	R1930800	Cylinder, Tie-Rod, Yellow: 3" x 8"	KR100020
7 b)	R1930801	Cylinder, Tie-Rod, Black: 3" x 8"	KR100020
8	R1802046	Tip, Quick Connect: #8 FPT	
9	R1802031	Tee: #6 MORFS - #6 MORFS - #6 MORFS	
10	R1802028	Elbow, 90°: #6 MORFS - #6 MORB	
11	R1802033	Straight: #6 MORB - #6 FORFSX	
12	R1802039	Straight: #6 MORB - #6 MORFS	
13	R1802030	Elbow, 90°: #6 FORFSX - #6 MORFS	
14 a)	R1803004	Ball Valve: #6 FPT - #6 FPT	
14 b)	R1803005	Handle Replacement: Ball Valve	
*	R1899010	Hydraulic Hose Grip, Blue: 1/2"	

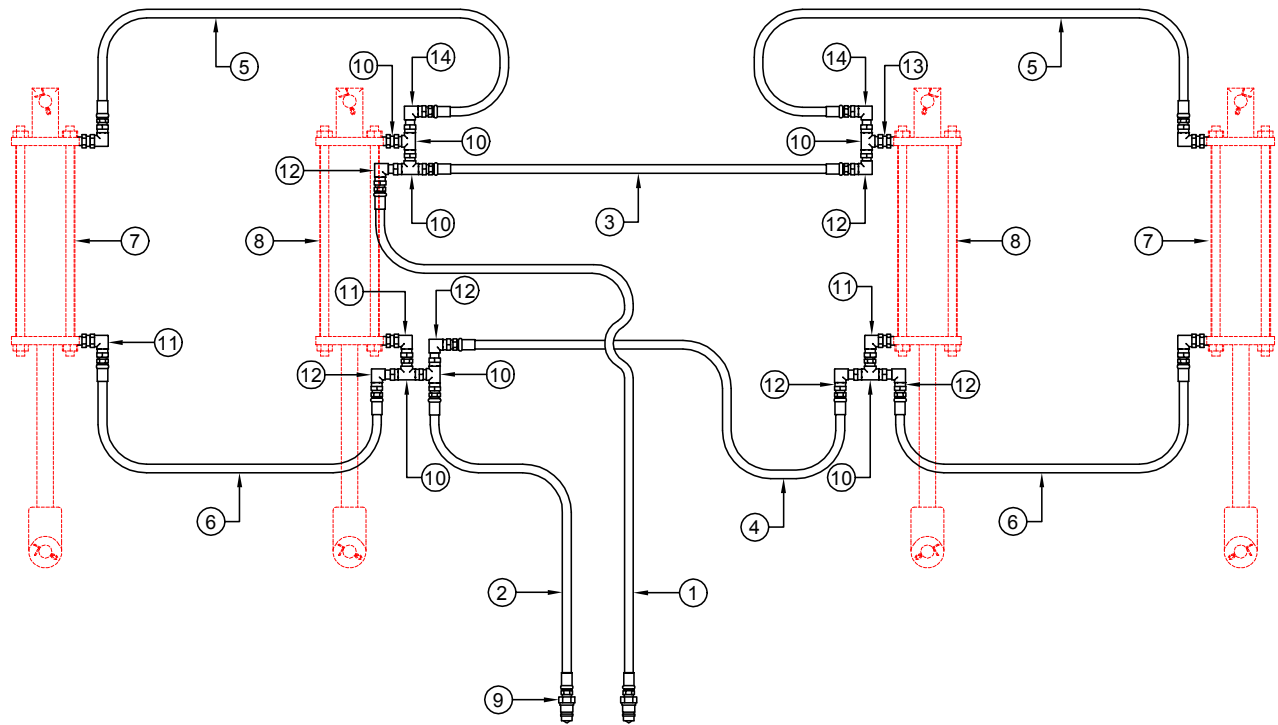


Table: R

Item #	Part #	Description	Seal Kit #
1	n/a	Hydraulic Hose: 3/8" x 276"	
2	n/a	Hydraulic Hose: 3/8" x 294"	
3	n/a	Hydraulic Hose: 3/8" x 69"	
4	n/a	Hydraulic Hose: 3/8" x 76"	
5 a)	n/a	Hydraulic Hose: 3/8" x 208"	
5 b)	n/a	Hydraulic Hose: 3/8" x 202"	
5 c)	n/a	Hydraulic Hose: 3/8" x 238"	
5 d)	n/a	Hydraulic Hose: 3/8" x 268"	
5 e)	n/a	Hydraulic Hose: 3/8" x 298"	
6 a)	n/a	Hydraulic Hose: 3/8" x 225"	
6 b)	n/a	Hydraulic Hose: 3/8" x 220"	
6 c)	n/a	Hydraulic Hose: 3/8" x 256"	
6 d)	n/a	Hydraulic Hose: 3/8" x 286"	
6 e)	n/a	Hydraulic Hose: 3/8" x 316"	
7 a)	R1941201	Cylinder, Tie-Rod, Yellow: 4" x 12"	KR100000
7 b)	R1941201-01	Cylinder, Tie-Rod, Black: 4" x 12"	KR100000
7 c)	R1951201	Cylinder, Tie-Rod, Yellow: 5" x 12"	KR100007
7 d)	R1951201-01	Cylinder, Tie-Rod, Black: 5" x 12"	KR100007
8 a)	R1941201	Cylinder, Tie-Rod, Yellow: 4" x 12"	KR100000
8 b)	R1941201-01	Cylinder, Tie-Rod, Black: 4" x 12"	KR100000
9	R1802046	Tip, Quick Connect: #8 FPT	
10	R1802032	Tee: #6 MORFS - #6 FORFSX - #6 MORFS	
11	R1802028	Elbow, 90°: #6 MORFS - #6 MORB	
12	R1802030	Elbow, 90°: #6 FORFSX - #6 MORFS	
13	R1802039	Straight: #6 MORB - #6 MORFS	
14	R1802040	Elbow, 45°: #6 FORFSX - #6 MORFS	

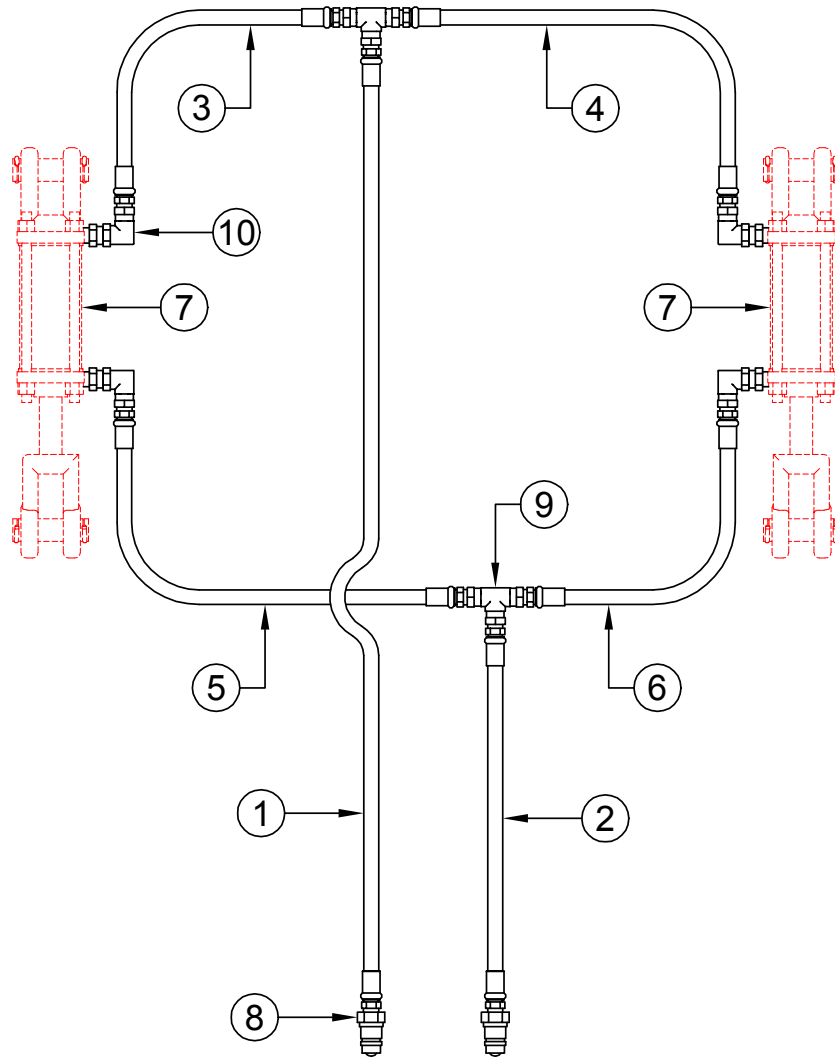


Table: S

Item #	Part #	Description	Seal Kit #
1	n/a	Hydraulic Hose: 3/8" x 276"	
2	n/a	Hydraulic Hose: 3/8" x 276"	
3	n/a	Hydraulic Hose: 3/8" x 148"	
4	n/a	Hydraulic Hose: 3/8" x 96"	
5	n/a	Hydraulic Hose: 3/8" x 145"	
6	n/a	Hydraulic Hose: 3/8" x 92"	
7 a)	R1920401	Cylinder, Tie-Rod, Yellow: 2" x 4"	KR100018
7 b)	R1920401-01	Cylinder, Tie-Rod, Black: 2" x 4"	KR100018
8	R1802046	Tip, Quick Connect: #8 FPT	
9	R1802031	Tee: #6 MORFS - #6 MORFS - #6 MORFS	
10	R1802028	Elbow, 90°: #6 MORFS - #6 MORB	

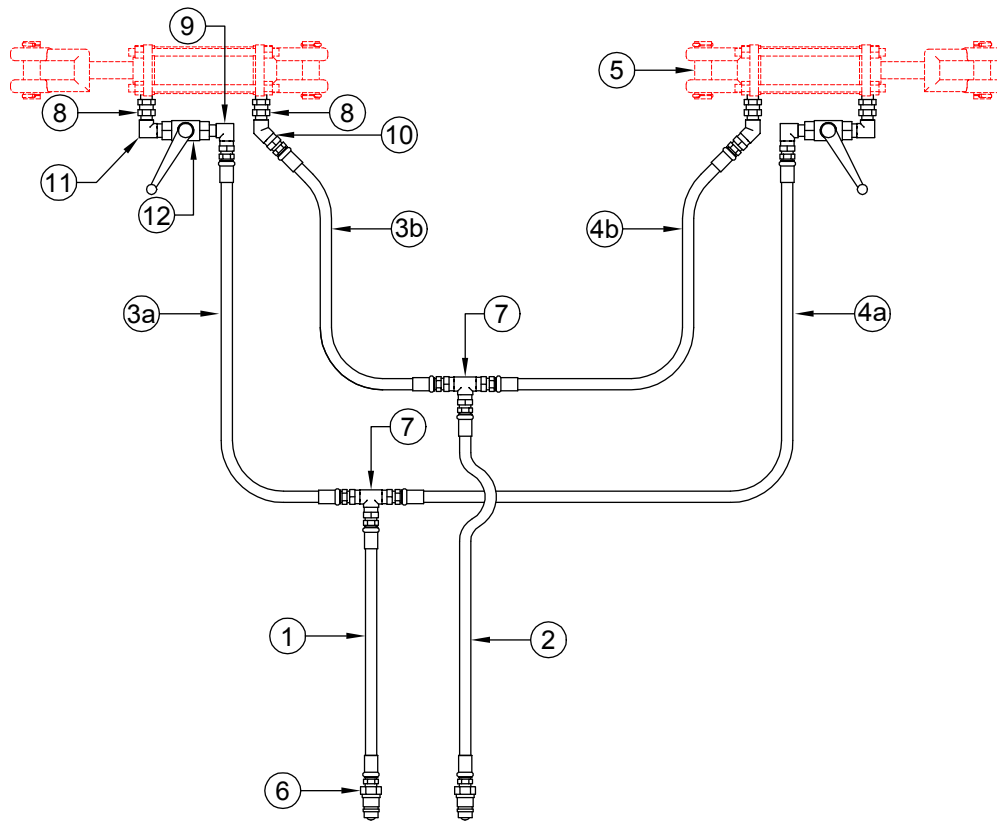


Table: T

Item #	Part #	Description	Seal Kit #
1	n/a	Hydraulic Hose: 3/8" x 276"	
2	n/a	Hydraulic Hose: 3/8" x 276"	
3	n/a	a) Hydraulic Hose: 3/8" x 278", b) Hydraulic Hose: 3/8" x 273"	
3	n/a	a) Hydraulic Hose: 3/8" x 286", b) Hydraulic Hose: 3/8" x 282"	
3	n/a	a) Hydraulic Hose: 3/8" x 322", b) Hydraulic Hose: 3/8" x 318"	
3	n/a	a) Hydraulic Hose: 3/8" x 352", b) Hydraulic Hose: 3/8" x 348"	
3	n/a	a) Hydraulic Hose: 3/8" x 382", b) Hydraulic Hose: 3/8" x 378"	
4 a)	n/a	a) Hydraulic Hose: 3/8" x 309", b) Hydraulic Hose: 3/8" x 305"	
4 b)	n/a	a) Hydraulic Hose: 3/8" x 341", b) Hydraulic Hose: 3/8" x 337"	
4 c)	n/a	a) Hydraulic Hose: 3/8" x 377", b) Hydraulic Hose: 3/8" x 373"	
4 d)	n/a	a) Hydraulic Hose: 3/8" x 406", b) Hydraulic Hose: 3/8" x 402"	
4 e)	n/a	a) Hydraulic Hose: 3/8" x 436", b) Hydraulic Hose: 3/8" x 432"	
5 a)	R1920401	Cylinder, Tie-Rod, Yellow: 2" x 4"	KR100018
5 b)	R1920401-01	Cylinder, Tie-Rod, Black: 2" x 4"	KR100018
6	R1802046	Tip, Quick Connect: #8 FPT	
7	R1802031	Tee: #6 MORFS - #6 MORFS - #6 MORFS	
8	R1802039	Straight: #6 MORB - #6 MORFS	
9	R1802028	Elbow, 90°: #6 MORFS - #6 MORB	
10	R1802040	Elbow, 45°: #6 MORFS - #6 FORFSX	
11	R1802030	Elbow, 90°: #6 FORFSX - #6 MORFS	
12 a)	R1803004	Ball Valve: #6 FPT - #6 FPT	
12 b)	R1803005	Handle Replacement: Ball Valve	

LAND ROLLER ACRE COUNTER CONVERSION CHART

42" Diameter Drum Land Roller	
6'	0.73
8'	0.97
10'	1.21
12'	1.45
15'	1.82
20'	2.42
30'	3.63
34'	4.12
40'	4.85
42'	5.09
45'	5.45
50'	6.06
60'	7.27
61'	7.39
62'	7.51
65'	7.88
70'	8.48
75'	9.09
80'	9.69
85'	10.30

36" Diameter Drum Land Roller	
6'	0.73
8'	0.97
10'	1.21
12'	1.45
15'	1.82
20'	2.42
30'	3.63
34'	4.12
40'	4.85
42'	5.09
45'	5.45
50'	6.06
60'	7.27
61'	7.39
62'	7.51
65'	7.88
70'	8.48
75'	9.09
80'	9.69
85'	10.30

** NOTE **
Acre Counters are specifically calibrated for either a 42" or 36" diameter drum. This is why the multiplier numbers are identical.

** USING THE CONVERSION CHART **

Step 1: Always remember to check acre counter reading before you start rolling. **IMPORTANT!!** Write this number down!

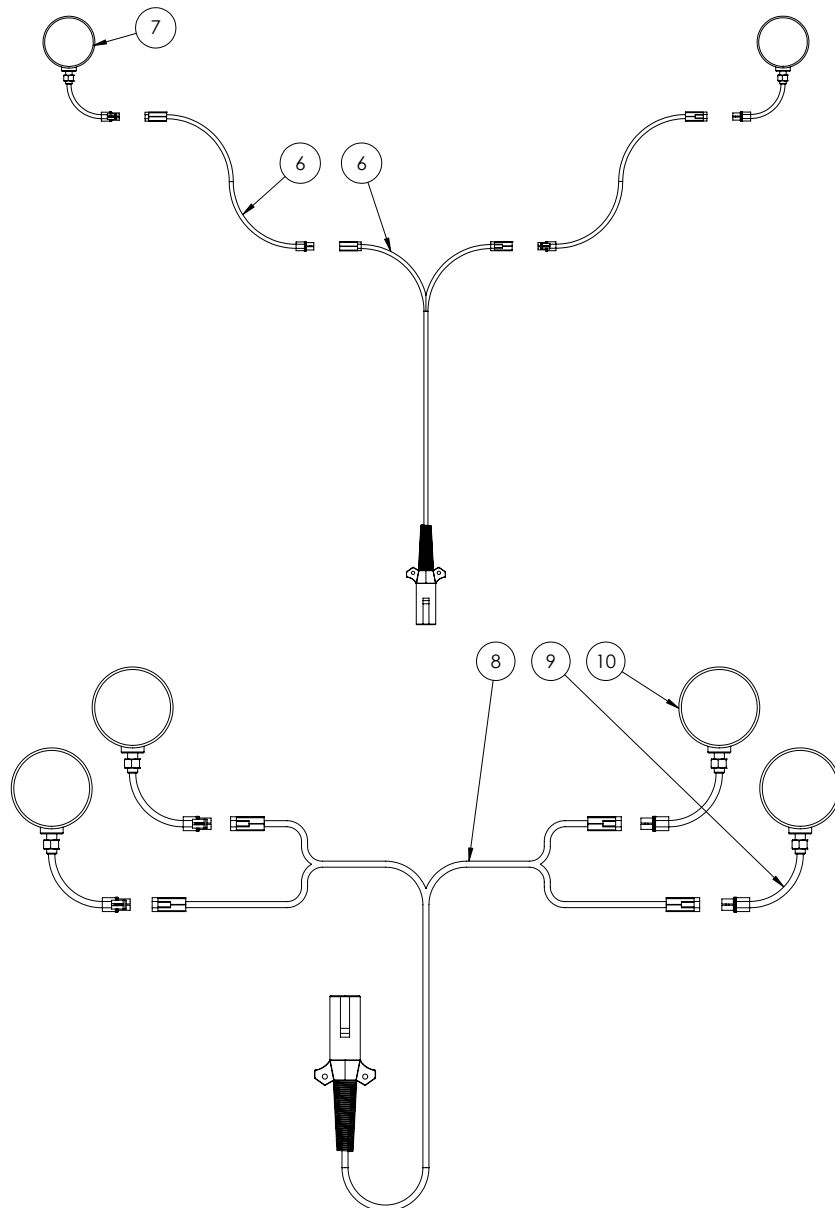
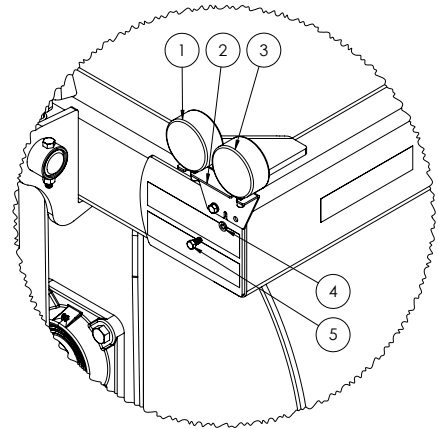
Step 2: When finished rolling, calculate the difference from the beginning to end of the acre counter

Step 3: Multiply acre counter number (ending number minus starting number) with the number as associated on the chart above. Make sure to use the right land roller LENGTH and DRUM SIZE

Table: U		
Item	Part No.	Description
1	AA001001	Acre Counter w/Bracket: 36" Drum (560 rev/mile)
2	AA001002	Acre Counter w/Bracket: 42" Drum (480 rev/mile)

Table: V

Item	Part #	Description	Qty
1	R1701011	Light, LED: Amber/Amber	2
2	PP010006	Dual Light Bracket	2
3	R1701012	Light, LED: Red	2
4	R0610003	Washer, Lock: 3/8"	4
5	R0110408	Bolt: 3/8" x 3/4"	4
6	KL100019	Light Kit, 3-Plex Land Roller, 40 Series: 30'-50'	1
7	R1701001	Light, Hazard, Incandescent: Red/Amber	2
8	KL100022	Light Kit, 3-Plex Land Roller, 50 Series: 30'-50'	1
9	R1701011	Light, LED: Amber/Amber	2
10	R1701012	Light, LED: Red	2



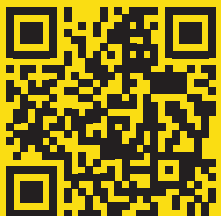


REVISION: 3.4

PART #: R9912015

RELEASED: MAY 05, 2023

MANDAKO AGRI MARKETING (2010) LTD.



Printed in Canada