

40' Storm

20 Series

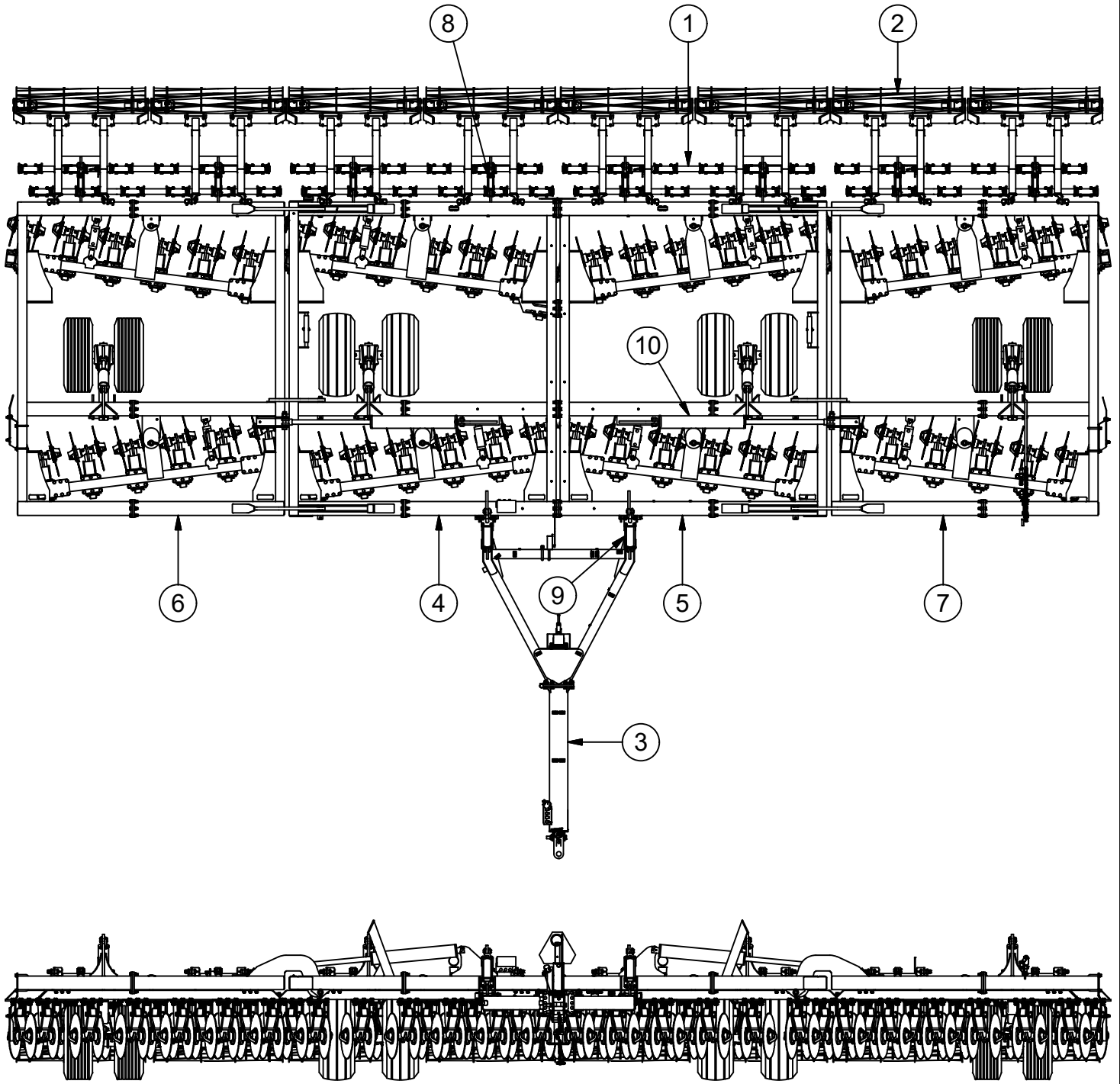
Parts Manual



Table of Contents

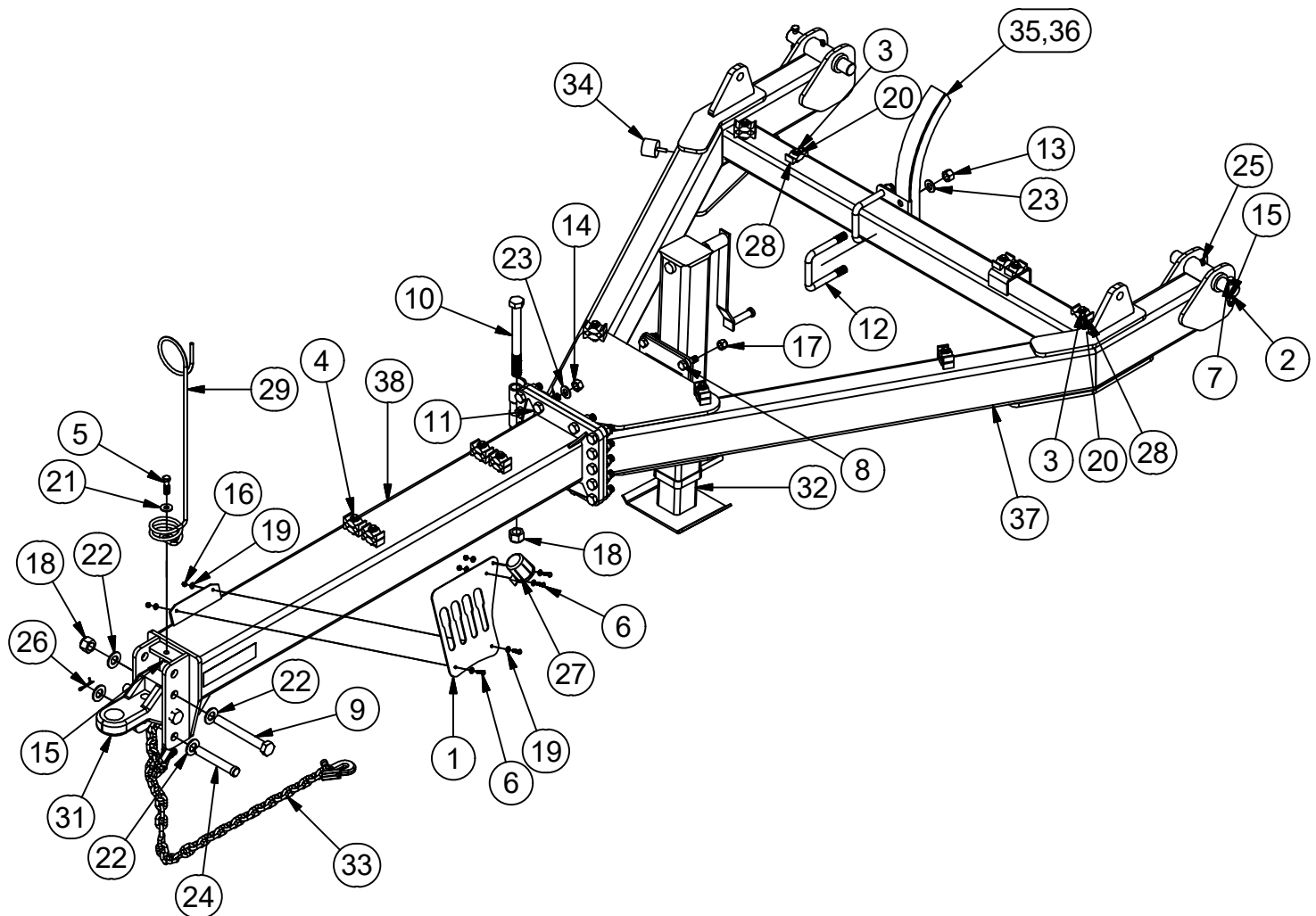
| | |
|---|-------|
| 40' Storm Overview..... | 1 |
| Hitch Assembly..... | 2 |
| Main, Split Frame, RH: 10'..... | 3 |
| Main, Split Frame, RH: 10'..... | 4 |
| Main, Split Frame, RH: 10'..... | 5 |
| Main, Split Frame, LH: 10'..... | 6 |
| Wing, Split Frame, RH: 10'..... | 7 |
| Wing, Split Frame, LH: 10'..... | 8 |
| Harrow Assembly: 10'..... | 9 |
| Rolling Basket Assembly: Complete..... | 10 |
| Basket Arm Assembly..... | 11 |
| Rolling Basket/Cradle Assembly..... | 12 |
| Axle and Wheels Assembly: 10-Bolt..... | 13 |
| Axle and Wheels Assembly: 8-Bolt..... | 14 |
| Tool Bar Assembly, Right Front Center: 10'..... | 15 |
| Tool Bar Assembly, Right Rear Center: 10'..... | 16 |
| Tool Bar Assembly, Left Front Center: 10'..... | 17 |
| Tool Bar Assembly, Right Front Wing: 10'..... | 18 |
| Tool Bar Assembly, Right Rear Wing: 10'..... | 19 |
| Tool Bar Assembly, Left Front Wing: 10'..... | 20 |
| Tool Bar Assembly, Left Rear Center/Wing: 10'..... | 21 |
| Spring/Shank Assembly: Right/Left/Front Center (Right Shown)..... | 22 |
| Spring/Shank Assembly: Right Rear Center..... | 23 |
| Tool Bar Angle Gauge..... | 24 |
| Deflector Shield: RH/LH..... | 25 |
| Depth Control Assembly..... | 26 |
| Hub Assembly: 10-Bolt..... | 27 |
| Hub Assembly: 8-Bolt..... | 28 |
| Coulter Hub Assembly..... | 29 |
| Hydraulics: Hitch..... | 30 |
| Hydraulics: Front Tool Bars..... | 31 |
| Hydraulics: Rear Tool Bars..... | 32 |
| Hydraulics: Wheel Lift..... | 33-34 |
| Hydraulics: Wing Lift..... | 35 |
| Hydraulics: Rolling Baskets..... | 36 |

40' Storm Overview



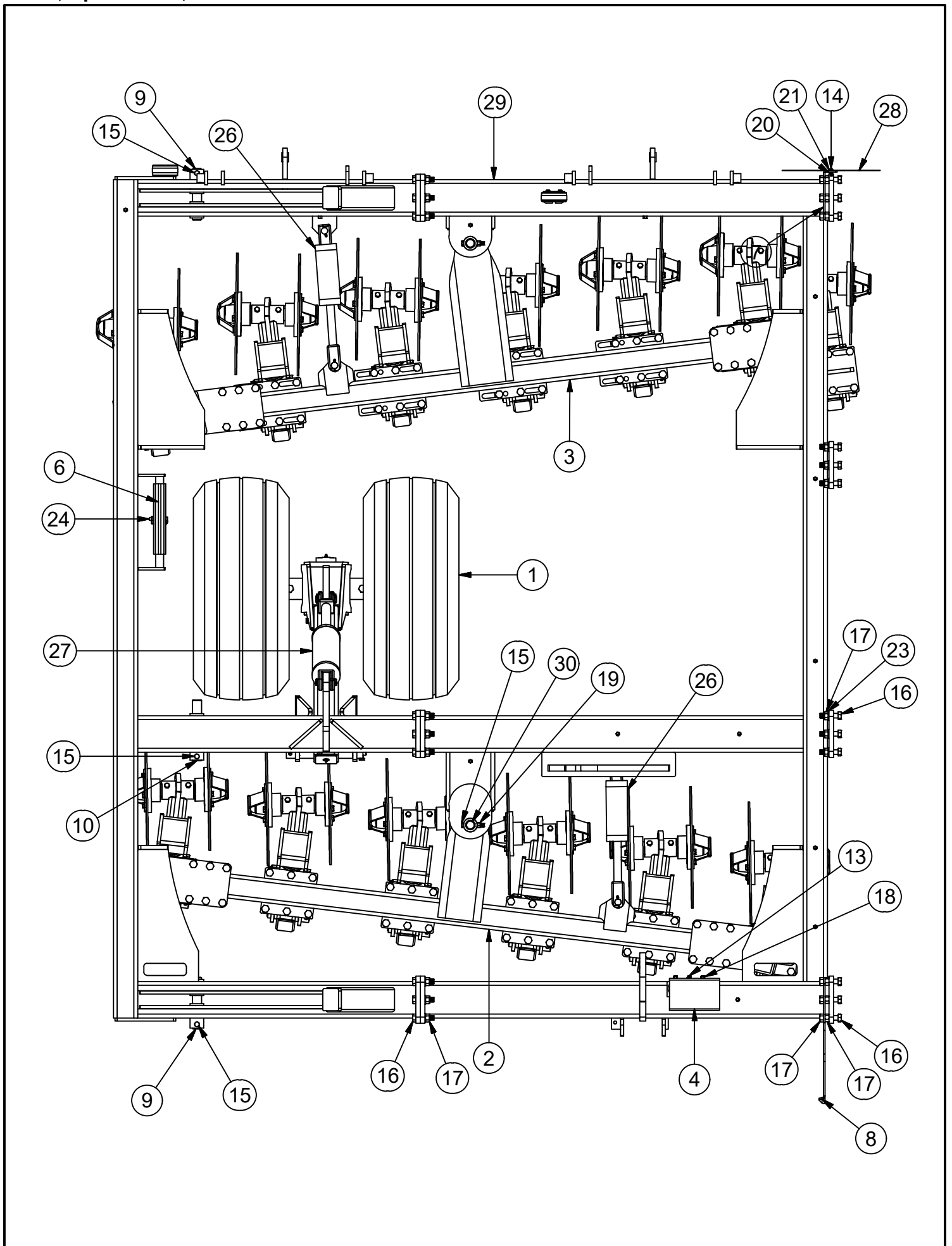
| S4020: 40 Ft Storm | | | | S4020: 40 Ft Storm | | | |
|--------------------|----------|--------|------------------------------|--------------------|----------|--------|-----------------------------|
| ITEM | PART # | Page # | DESCRIPTION | ITEM | PART # | Page # | DESCRIPTION |
| 1 | AC003512 | 9 | Harrows, 2-Row: 120" | 6 | Inquire | 7 | Wing, Split Frame, RH: 120" |
| 2 | AC003617 | 10-11 | Rolling Basket Complete: 60" | 7 | Inquire | 8 | Wing, Split Frame, LH: 120" |
| 3 | AM001574 | 2 | Assembly, Hitch, Folding | 8 | See Hyd. | 36 | Cylinder |
| 4 | Inquire | 3-5 | Main, Split Frame, RH: 120" | 9 | See Hyd. | 30 | Cylinder |
| 5 | Inquire | 6 | Main, Split Frame, LH: 120" | 10 | See Hyd. | 35 | Cylinder |

Hitch Assembly

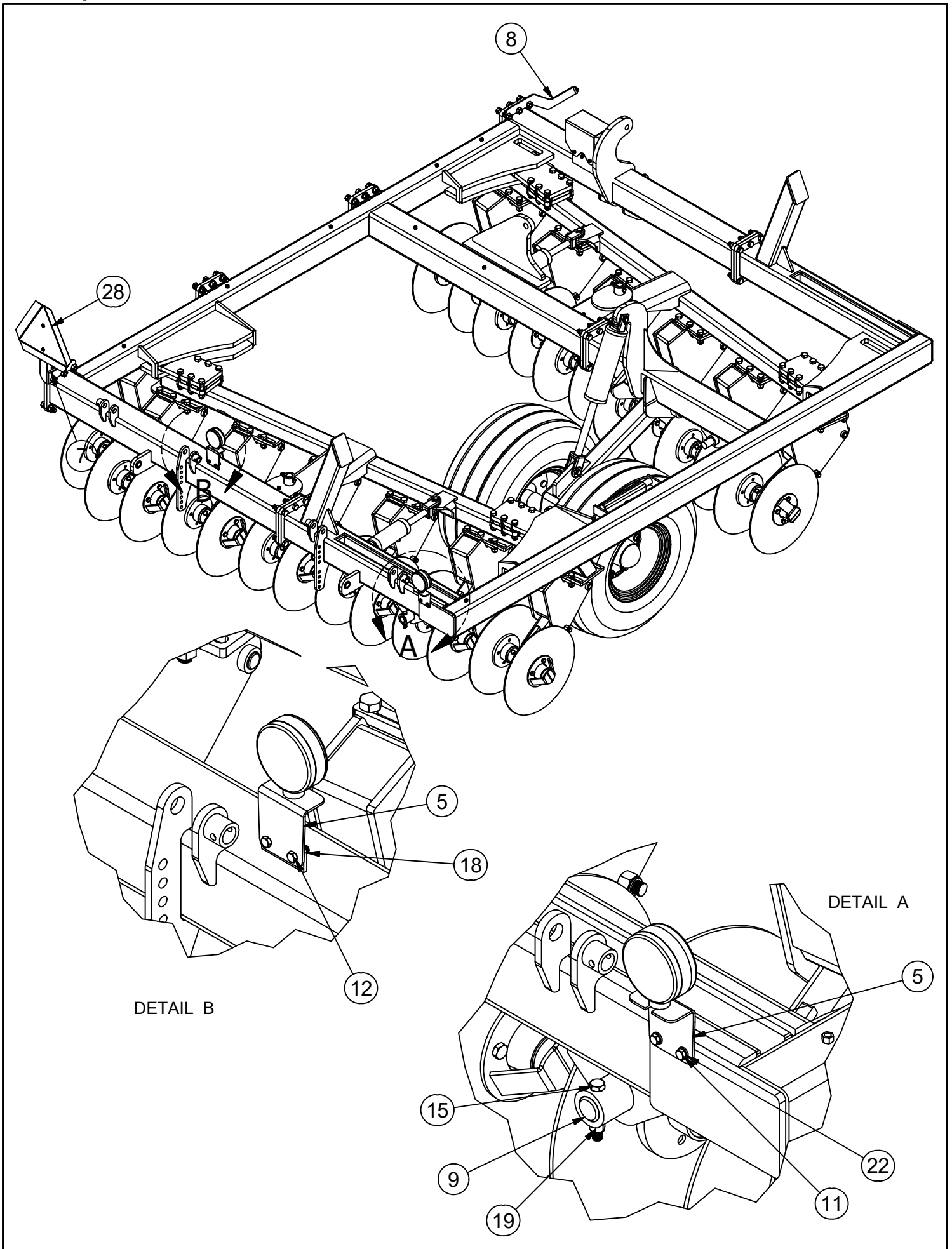


| AM001574: Hitch, Heavy Duty | | | AM001574: Hitch, Heavy Duty | | |
|-----------------------------|-------------|------------------------------------|-----------------------------|-------------|--|
| ITEM | PART NUMBER | DESCRIPTION | ITEM | PART NUMBER | DESCRIPTION |
| 1 | PP010001 | Hydraulic Coupler Storage Plate | 20 | R0510104 | Washer, USS, 3/8" x 1.000" |
| 2 | PR151002 | Pin, 1-1/2" | 21 | R0510106 | Washer, USS, 1/2" |
| 3 | R0110413 | Bolt, 3/8"-16 x 1-1/4" | 22 | R0530211 | Washer, 1" x 2" O.D. |
| 4 | R0110423 | Bolt, 3/8"-16 x 2-1/4" | 23 | R0610009 | Lock Washer, 3/4", Medium |
| 5 | R0110620 | Bolt, 1/2"-13 x 2" | 24 | R0810601 | Pin, Clevis, Safety Chain: 1" x 6" |
| 6 | R0130210 | Bolt, 1/4"-20 x 1" | 25 | R1502502 | Zerk, Grease: 1/8"-27 NPT - 45° |
| 7 | R0130635 | Bolt, 1/2"-13 x 3-1/2" | 26 | R1619251 | Pin, Cotter: 3/16" x 1.5" |
| 8 | R0130820 | Bolt, 5/8"-11 x 2" | 27 | R1701018 | Protector, Electrical Plug 7 pin round |
| 9 | R0131180 | Bolt, 1"-8 x 8" | 28 | R1804004 | Clamp, 3/8" Hose (dual) - Large |
| 10 | R01311A0 | Bolt, 1"-8 x 10" | 29 | R1899001 | Retainer, Hose, Spring loaded .375x4x30 |
| 11 | R0140930 | Bolt, 3/4"-16 x 3" Fine Thread | 31 | R9901003 | Hitch, Pintle, Cat 3 - 2 on 3" Holes |
| 12 | R0239458 | U-Bolt, 3/4"-10, 5.75"x4.06"x5.75" | 32 | R9909001 | Jack, Hitch, 15K Heavy Duty, Fixed Bolt On |
| 13 | R0310109 | Nut, Hex, 3/4"-10 | 33 | R9910002 | 1/2" Safety Chain, with Clevis link |
| 14 | R0340109 | Nut, 3/4"-16 Fine Thread | 34 | R9911002 | Mount Isolation 2" x 1-5/8" |
| 15 | R0410106 | Nut, Nylon Insert Lock, 1/2"-13 | 35 | R9913115 | Leveling Gauge Decal |
| 16 | R0410102 | Nut, Nylon Insert Lock, 1/4"-20 | 36 | WC001566 | Levelling Gauge, Hitch |
| 17 | R0430108 | Nut, Nylon Insert Lock, 5/8"-11 | 37 | WM001574 | A-Frame, Folding Hitch |
| 18 | R0430111 | Nut, Nylon Insert Lock, 1"-8 | 38 | WM001575 | Tongue, Folding Hitch |
| 19 | R0510102 | Washer, USS, 1/4" x 0.625" | | | |

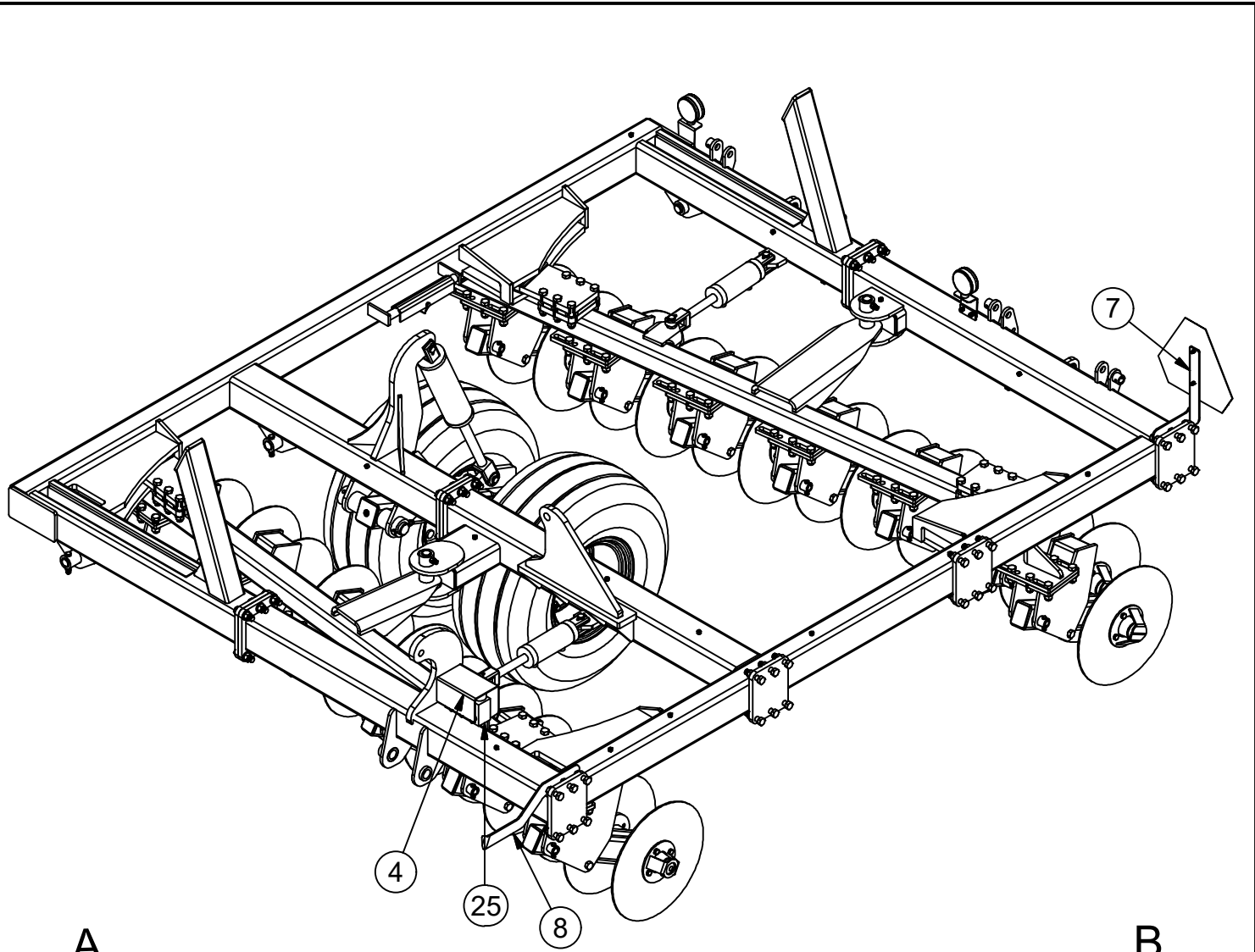
Main, Split Frame, RH: 10'



Main, Split Frame, RH: 10'

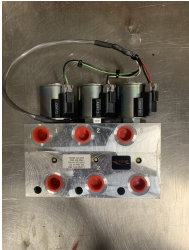
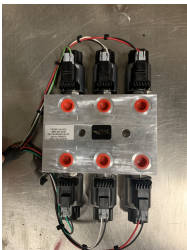


Main, Split Frame, RH: 10'



A

B



NOTE

If replacing Selector Valves (#25) that look like photo "B", the replacement valve will be the valve in photo "A". New bracket, shield and fittings will be required to fit machine.

Stamped

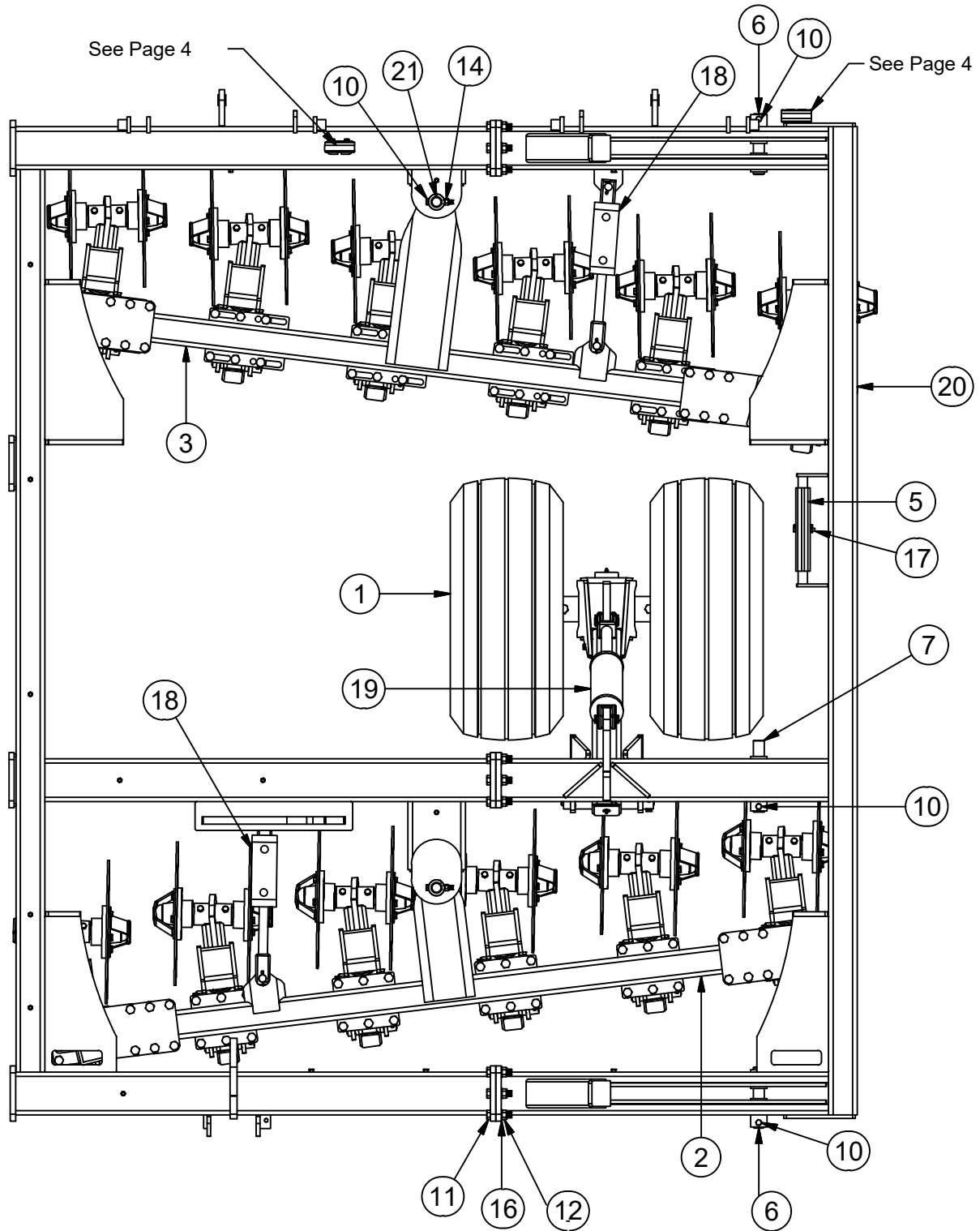
Part No:302-904.RLSD

Stamped

Part No:302-029.D

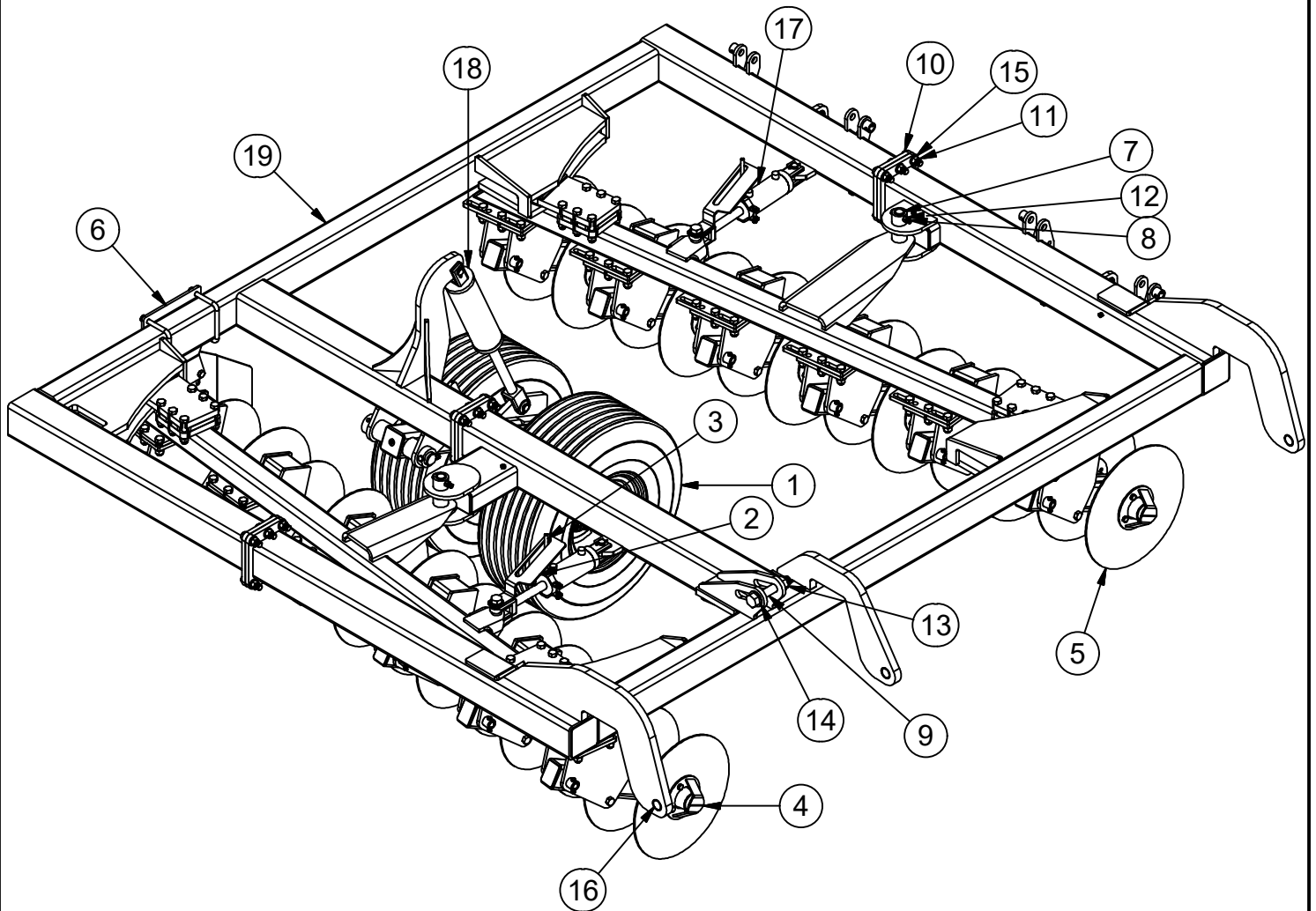
| Main, Split Frame, RH: 120" | | | Main, Split Frame, RH: 120" | | |
|-----------------------------|-------------|------------------------------------|-----------------------------|-------------|--|
| ITEM | PART NUMBER | DESCRIPTION | ITEM | PART NUMBER | DESCRIPTION |
| 1 | Page 13 | Assembly, Axle & Wheels: 10 Bolt | 16 | R0140930 | Bolt, Grade 8, 3/4"-16 x 3" Fine Thread |
| 2 | Page 15 | Tool Bar, Right Front Center: 120" | 17 | R0340109 | Nut, Grade 8, 3/4"-16 Fine Thread |
| 3 | Page 16 | Tool Bar, Right Rear Center: 120" | 18 | R0410104 | Nut, Nylon Insert Lock, Grade 2, 3/8"-16 |
| 4 | Inquire | Selector Valve Shield | 19 | R0410106 | Nut, Nylon Insert Lock, Grade 2, 1/2"-13 |
| 5 | PP011504 | Light Mount Bracket | 20 | R0430102 | Nut, Nylon Insert Lock, Grd 8, 1/4"-20 |
| 6 | PP031001 | Stop, Cylinder, Safety | 21 | R0510102 | Washer, USS, 1/4" x 0.625" |
| 7 | PP031508 | Bracket, SMV Emblem | 22 | R0610003 | Lock Washer, 3/8", Medium |
| 8 | PP031509 | Gauge, Floating Hitch | 23 | R0610009 | Lock Washer, 3/4", Medium |
| 9 | PR152502 | Pin, 1-1/2" x 8-1/2" YZP | 24 | R0804281 | Pin, Snapper, 3/8" x 2-1/2" |
| 10 | Inquire | Pin, 1-1/2" x 10" YZP | 25A | R1803012 | Selector Valve. 1 - 3 ports w/Wiring & Box |
| 11 | R0110408 | Bolt, Grade 5, 3/8"-16 x 3/4" | 26 | See Hyd. | See Hydraulics |
| 12 | R0110410 | Bolt, Grade 5, 3/8"-16 x 1" | 27 | See Hyd. | See Hydraulics |
| 13 | R0110435 | Bolt, Grade 5, 3/8"-16 x 3-1/2" | 28 | R9913001 | Sign, SMV Emblem w/ Aluminum backing |
| 14 | R0130210 | Bolt, Grade 8, 1/4"-20 x 1" | 29 | Inquire | Storm Frame, Main, RH, Split: 120" |
| 15 | R0130635 | Bolt, Grade 8, 1/2"-13 x 3-1/2" | 30 | Inquire | Pin, 1-1/2" x 7-3/4" |

Main, Split Frame, LH: 10'



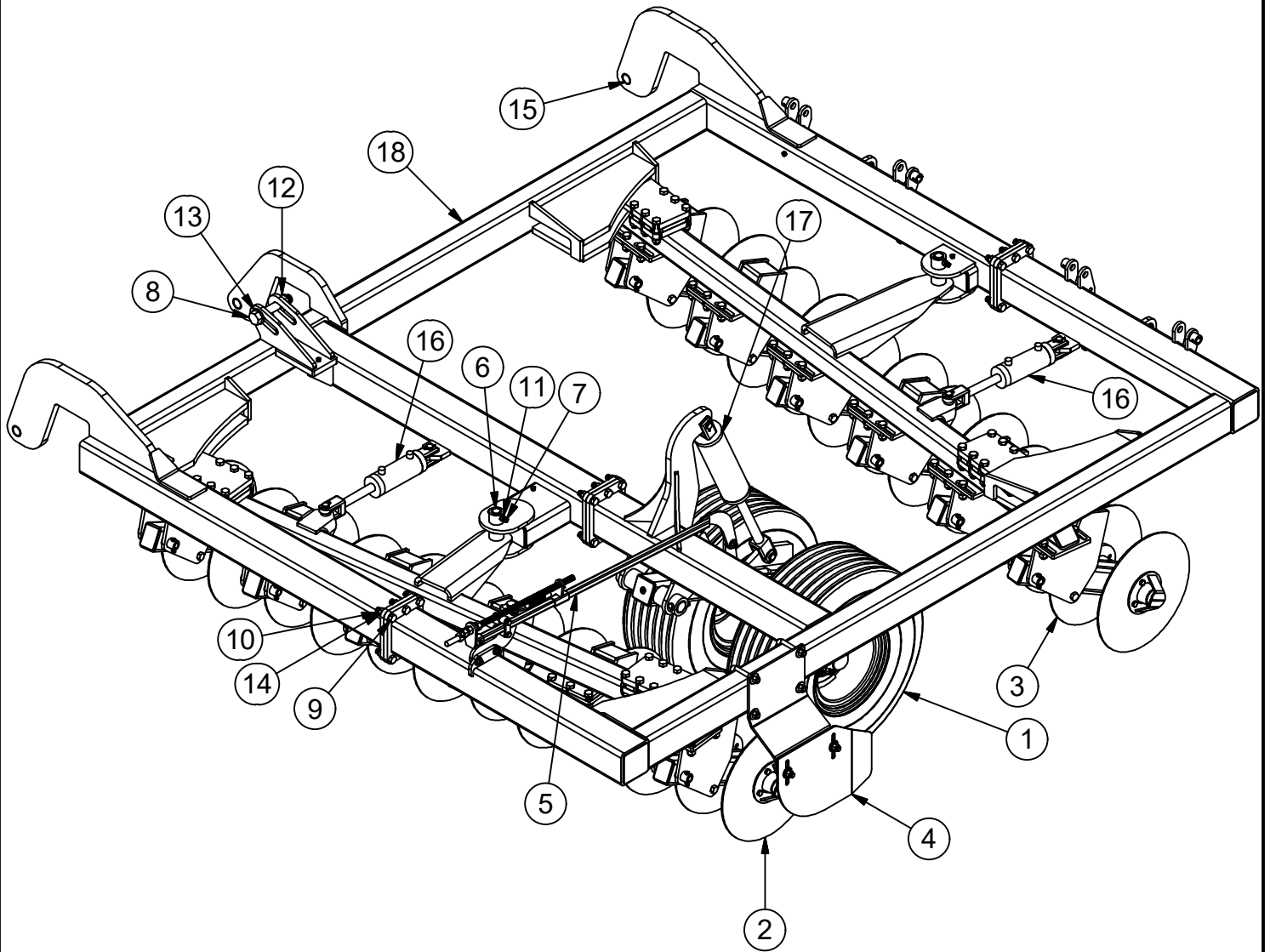
| Main, Split Frame, LH: 120" | | | Main, Split Frame, LH: 120" | | |
|-----------------------------|-------------|-----------------------------------|-----------------------------|-------------|--|
| ITEM | PART NUMBER | DESCRIPTION | ITEM | PART NUMBER | DESCRIPTION |
| 1 | Page 13 | Assembly, Axle & Wheels: 10 Bolt | 11 | R0140930 | Bolt, Grade 8, 3/4"-16 x 3" Fine Thread |
| 2 | Page 17 | Tool Bar, Left Front Center: 120" | 12 | R0340109 | Nut, Grade 8, 3/4"-16 Fine Thread |
| 3 | Page 21 | Tool Bar, Left Rear: 120" | 13 | R0410104 | Nut, Nylon Insert Lock, Grade 2, 3/8"-16 |
| 4 | PP011504 | Light Mount Bracket | 14 | R0410106 | Nut, Nylon Insert Lock, Grade 2, 1/2"-13 |
| 5 | PP031001 | Stop, Cylinder, Safety | 15 | R0610003 | Lock Washer, 3/8", Medium |
| 6 | PR152502 | Pin, 1-1/2" x 8-1/2" YZP | 16 | R0610009 | Lock Washer, 3/4", Medium |
| 7 | Inquire | Pin, 1-1/2" x 10" YZP | 17 | R0804281 | Pin, Snapper, 3/8" x 2-1/2" |
| 8 | R0110408 | Bolt, Grade 5, 3/8"-16 x 3/4" | 18 | See Hyd. | See Hydraulics |
| 9 | R0110410 | Bolt, Grade 5, 3/8"-16 x 1" | 19 | See Hyd. | See Hydraulics |
| 10 | R0130635 | Bolt, Grade 8, 1/2"-13 x 3-1/2" | 20 | Inquire | Storm Frame, Main, LH, Split: 120 |
| | | | 21 | Inquire | Pin, 1-1/2" x 7-3/4" |

Wing, Split Frame, RH: 10'



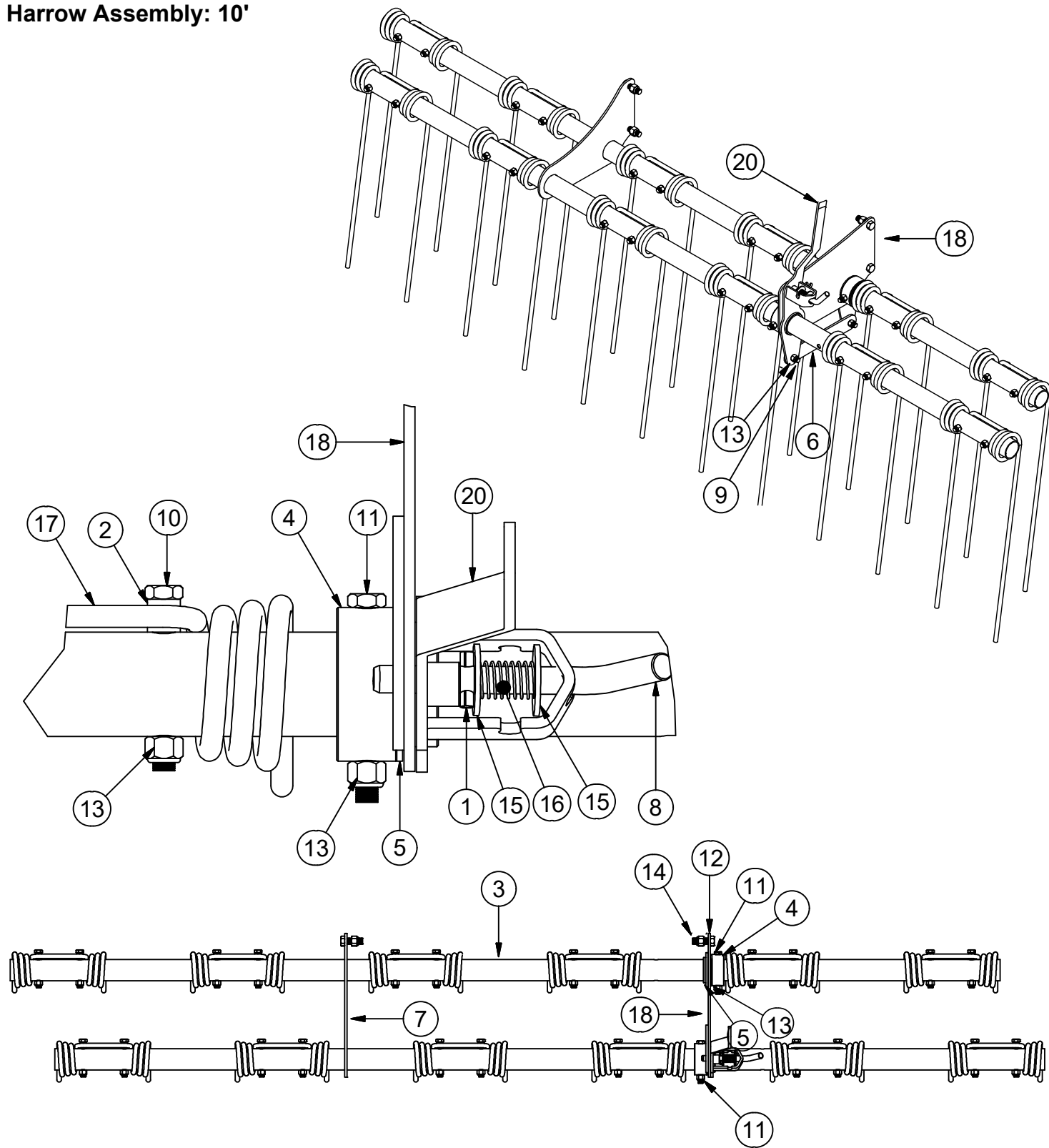
| Wing, Split Frame, RH: 120" | | | Wing, Split Frame, RH: 120" | | |
|-----------------------------|-------------|--|-----------------------------|-------------|---|
| ITEM | PART NUMBER | DESCRIPTION | ITEM | PART NUMBER | DESCRIPTION |
| 1 | Page 14 | Assembly, Axle & Wheels: 8 Bolt | 11 | R0340109 | Nut, Grade 8, 3/4"-16 Fine Thread |
| 2 | Page 24 | Tool Bar Angle Gauge Assembly | 12 | R0410106 | Nut, Nylon Insert Lock, Grade 2, 1/2"-13 |
| 3 | Page 24 | Depth Gauge Cylinder Marker | 13 | R0410113 | Nut, Nylon Insert Lock, Grade 2, 1-1/4"-7 |
| 4 | Page 18 | Tool Bar, Right Front: 120" | 14 | R0510213 | Washer, SAE, 1-1/4" x 2.500" |
| 5 | Page 19 | Tool Bar, Right Rear: 120" | 15 | R0610009 | Lock Washer, 3/4", Medium |
| 6 | Page 25 | Deflector Shield - Right | 16 | R1015001-01 | Connex, 1-3/4"OD x 1-1/2"ID x 1-1/4"L |
| 7 | Inquire | Pin, 1-1/2" x 7-3/4" | 17 | See Hyd. | See Hydraulics |
| 8 | R0130635 | Bolt, Grade 8, 1/2"-13 x 3-1/2" | 18 | See Hyd. | See Hydraulics |
| 9 | R0131385-2 | Bolt, Grade 8, 1-1/4"-7 x 8-1/2" Cut to 7" | 19 | See Hyd. | See Hydraulics |
| 10 | R0140930 | Bolt, Grade 8, 3/4"-16 x 3" Fine Thread | | Inquire | Storm Frame, Wing, RH, Split: 120" |

Wing, Split Frame, LH: 10'



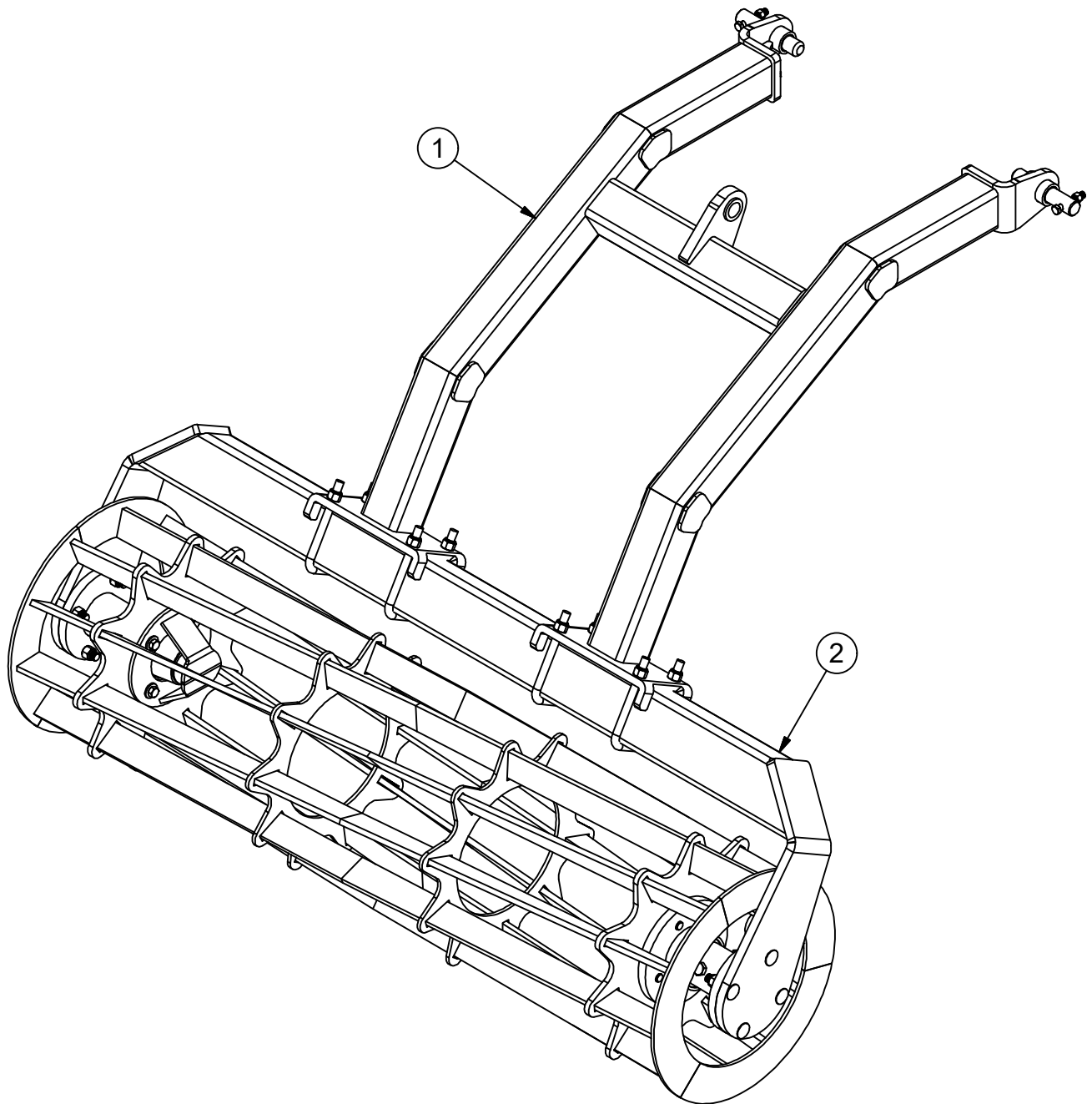
| Wing, Split Frame, LH: 120" | | | Wing, Split Frame, LH: 120" | | |
|-----------------------------|-------------|--|-----------------------------|-------------|---|
| ITEM | PART NUMBER | DESCRIPTION | ITEM | PART NUMBER | DESCRIPTION |
| 1 | Page 13 | Assembly, Axle & Wheels: 8 Bolt | 11 | R0410106 | Nut, Nylon Insert Lock, Grade 2, 1/2"-13 |
| 2 | Page 19 | Tool Bar, Left Front: 120" | 12 | R0410113 | Nut, Nylon Insert Lock, Grade 2, 1-1/4"-7 |
| 3 | Page 20 | Tool Bar, Left Rear: 120" | 13 | R0510213 | Washer, SAE, 1-1/4" x 2.500" |
| 4 | Page 24 | Deflector Shield - Left | 14 | R0610009 | Lock Washer, 3/4", Medium |
| 5 | Page 25 | Assembly, Depth Control | 15 | R1015001-01 | Connex, 1-3/4"OD x 1-1/2"ID x 1-1/4"L |
| 6 | Inquire | Pin, 1-1/2" x 7-3/4" | 16 | See Hyd. | See Hydraulics |
| 7 | R0130635 | Bolt, Grade 8, 1/2"-13 x 3-1/2" | 17 | See Hyd. | See Hydraulics |
| 8 | R0131385-2 | Bolt, Grade 8, 1-1/4"-7 x 8-1/2" Cut to 7" | 18 | Inquire | Storm Frame, Wing, LH, Split: 120" |
| 9 | R0140930 | Bolt, Grade 8, 3/4"-16 x 3" Fine Thread | | | |
| 10 | R0340109 | Nut, Grade 8, 3/4"-16 Fine Thread | | | |

Harrow Assembly: 10'



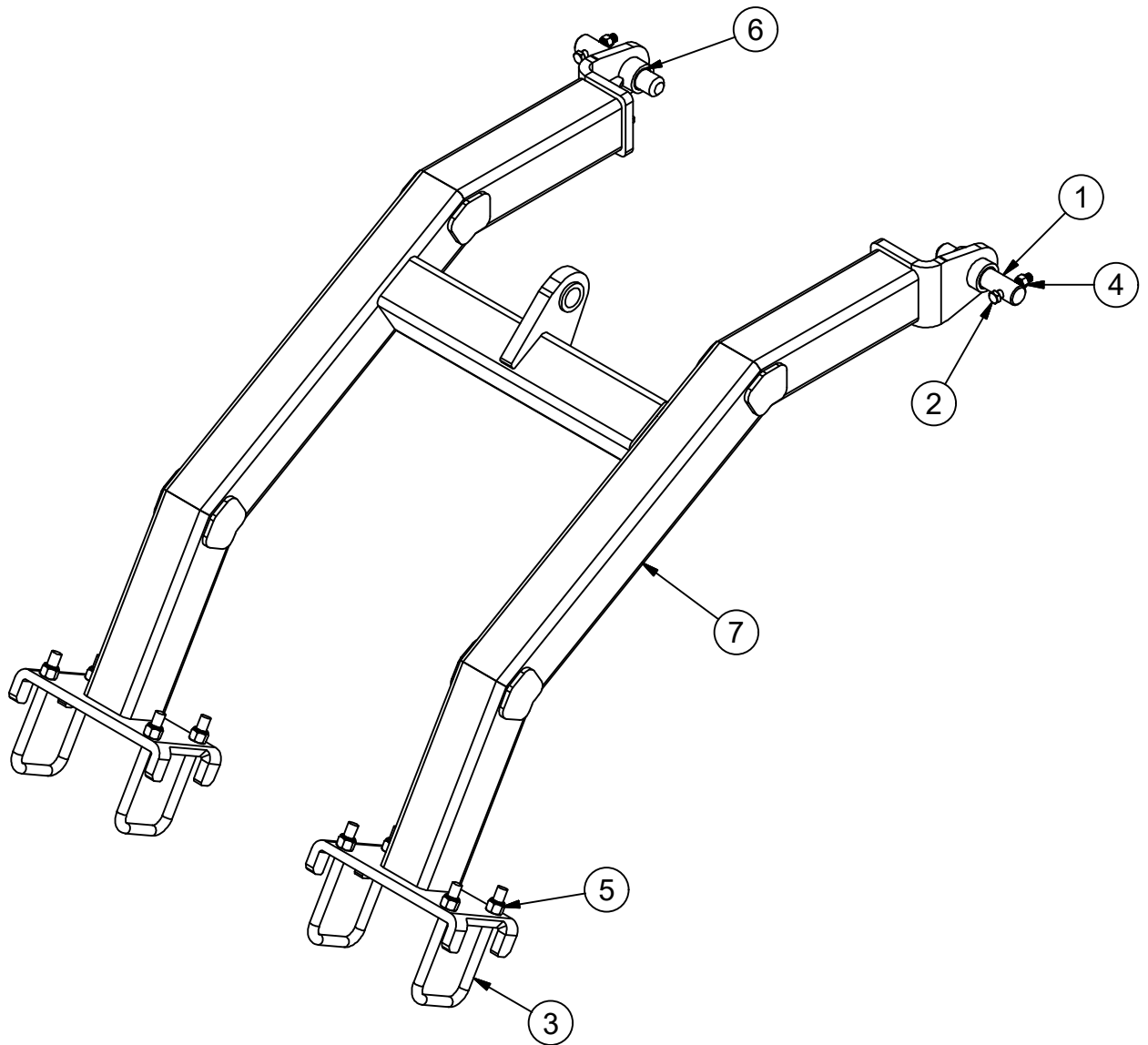
| AC003512: Harrows - 120" | | | AC003512: Harrows - 120" | | |
|--------------------------|-------------|---------------------------------|--------------------------|-------------|--|
| ITEM | PART NUMBER | DESCRIPTION | ITEM | PART NUMBER | DESCRIPTION |
| 1 | Inquire | Split Shear Pin - 3/8" x 1-1/4" | 11 | R0130645 | Bolt, Grade 8, 1/2"-13 x 4-1/2" |
| 2 | PB081001 | Bushing, Tine | 12 | R0130820 | Bolt, Grade 8, 5/8"-11 x 2" |
| 3 | PB232511 | Harrow Bar - 120" | 13 | R0410106 | Nut, Nylon Insert Lock, Grade 2, 1/2"-13 |
| 4 | PB354601 | Locking Collar | 14 | R0410108 | Nut, Nylon Insert Lock, Grade 2, 5/8"-11 |
| 5 | PP011002 | Spacer Washer | 15 | R0540108 | Washer, USS, 5/8" |
| 6 | PP031004 | Bar, Linkage, 2-Row Harrow | 16 | R0928001 | Spring, Shank, Inner: .437" x 2.6" x 10" |
| 7 | PP032514 | Harrow Slide Plate: 2-Row | 17 | R9930004 | 10 Inch Harrow Tine, 0.500 X 27.25" Leg |
| 8 | R0806401-01 | Adjustment Handle | 18 | WC003510 | Harrow Plate Weldment: 2-Row |
| 9 | R0110615 | Bolt, Grade 5, 1/2"-13 x 1-1/2" | 19 | WC004619 | Adjustment Bracket |
| 10 | R0130640 | Bolt, Grade 8, 1/2"-13 x 4" | 20 | WC004620 | Handle Bracket |

Rolling Basket Assembly: Complete



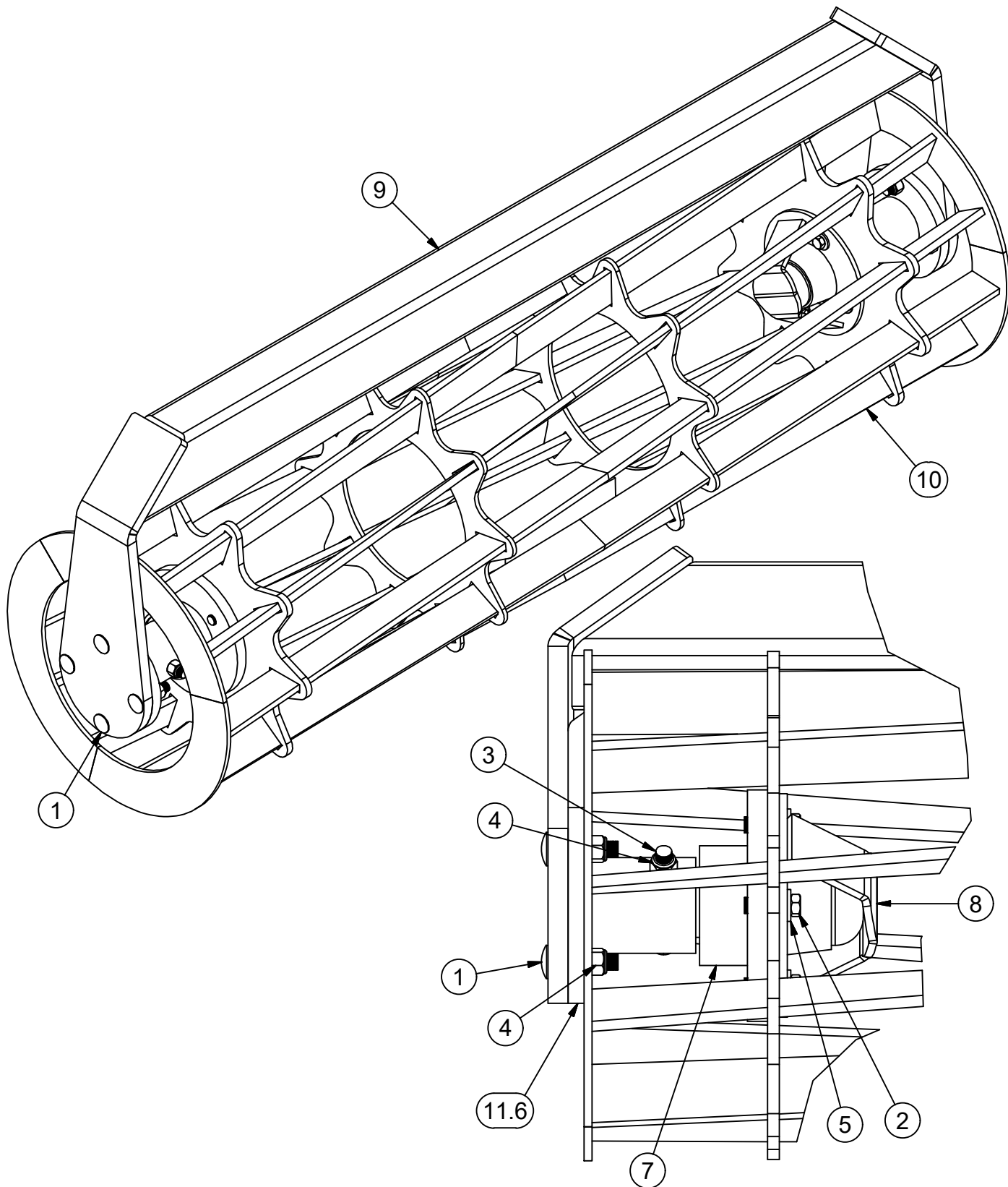
| AC003617: Rolling Basket Complete: 60" | | | AC003617: Rolling Basket Complete: 60" | | |
|--|-------------|----------------------|--|-------------|---------------------|
| ITEM | PART NUMBER | DESCRIPTION | ITEM | PART NUMBER | DESCRIPTION |
| 1 | AC001574 | Basket Arms Assembly | 2 | AC003615 | Rolling Basket: 60" |

Basket Arm Assembly



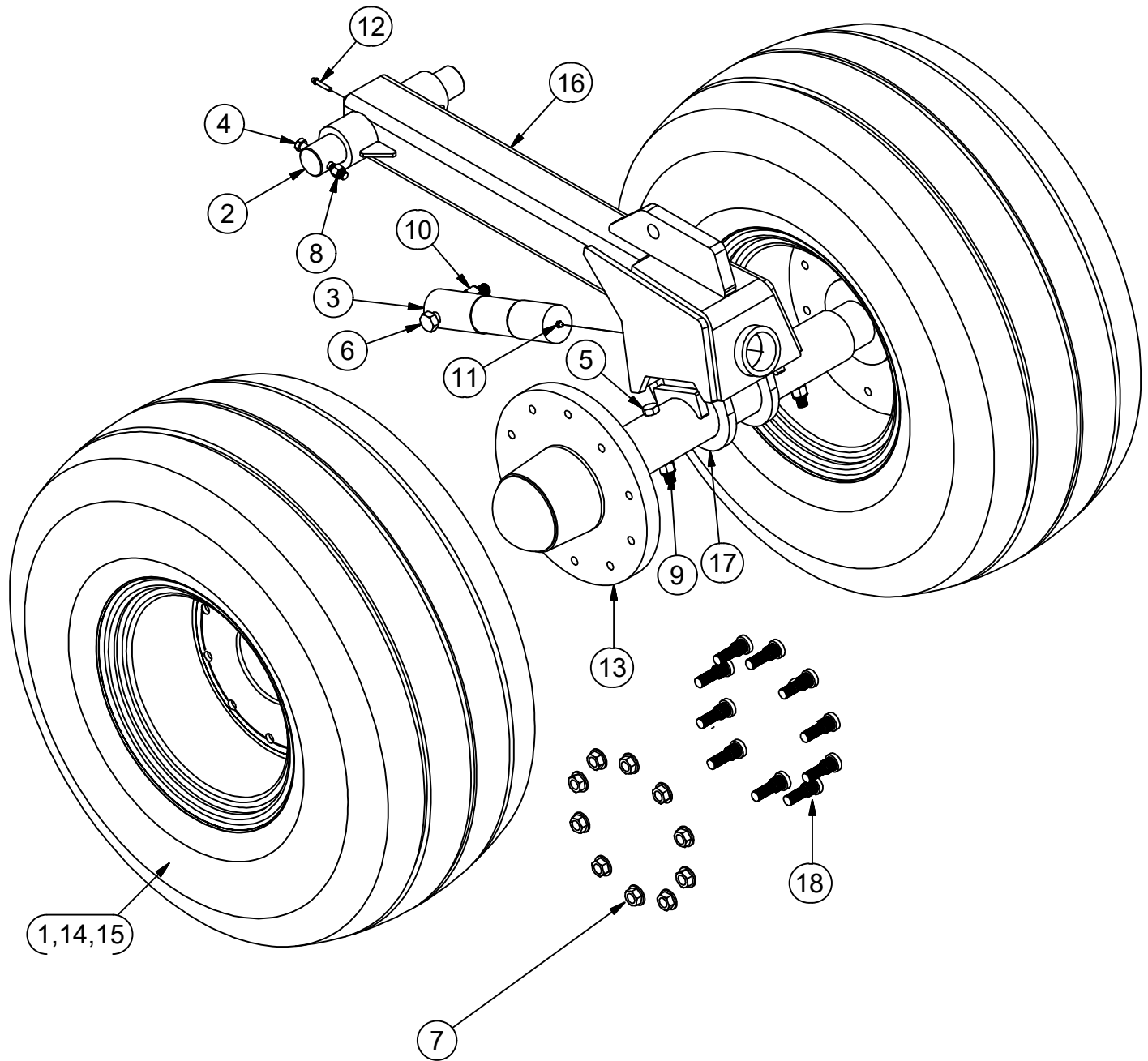
| AC001574: Basket Arm Assembly | | | AC001574: Basket Arm Assembly | | |
|-------------------------------|-------------|---|-------------------------------|-------------|--|
| ITEM | PART NUMBER | DESCRIPTION | ITEM | PART NUMBER | DESCRIPTION |
| 1 | PR101501 | Pin, 1" x 5-1/4" YZP | 5 | R0410106 | Nut, Nylon Insert Lock, Grade 2, 1/2"-13 |
| 2 | R0110423 | Bolt, Grade 5, 3/8"-16 x 2-1/4" | 6 | R1010006 | Bushing, Greaseless, 1.0" ID x 2"L |
| 3 | R0236351 | U-Bolt, Gr. 8, 1/2"-13, 5.5" x 3.06" x 5.5" | 7 | WC001541 | Basket Arms |
| 4 | R0410104 | Nut, Nylon Insert Lock, Grade 2, 3/8"-16 | | | |

Rolling Basket/Cradle Assembly



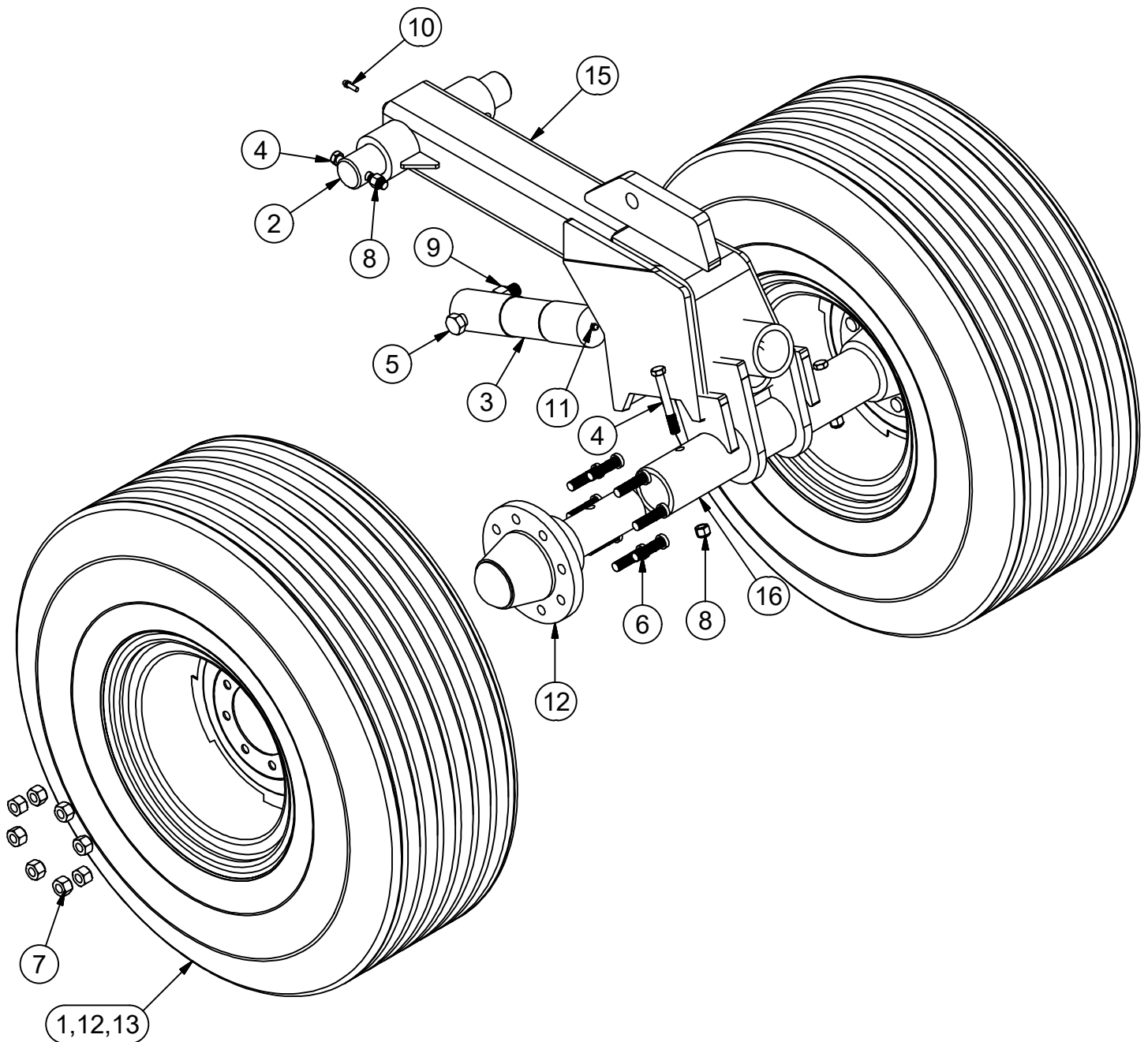
| AC003615: Rolling Basket: 60 | | | AC003615: Rolling Basket: 60 | | |
|------------------------------|-------------|--|------------------------------|-------------|---|
| ITEM | PART NUMBER | DESCRIPTION | ITEM | PART NUMBER | DESCRIPTION |
| 1 | R0710620 | Bolt, Carriage, Grade 5, 1/2"-13 x 2" | 7 | R9903016 | Assy, Coultter Hub / Spindle - Modified |
| 2 | R0130615 | Bolt, Grade 8, 1/2"-13 x 1-1/2" | 8 | WC001016 | Shield, Hub: Round Dust Cap |
| 3 | R0130640 | Bolt, Grade 8, 1/2"-13 x 4" | 9 | WC003629 | Cradle, Rolling Basket, 60 |
| 4 | R0410106 | Nut, Nylon Insert Lock, Grade 2, 1/2"-13 | 10 | WC003631 | Rolling Basket - 60 |
| 5 | R0620006 | Lock Washer, 1/2", High Alloy, Medium | 11 | WC003633 | Rolling Basket Spindle Housing |
| 6 | R1022500 | Bushing, Greaseless, 2.0" ID x 2.0"L | | | |

Axle and Wheels Assembly: 10-Bolt



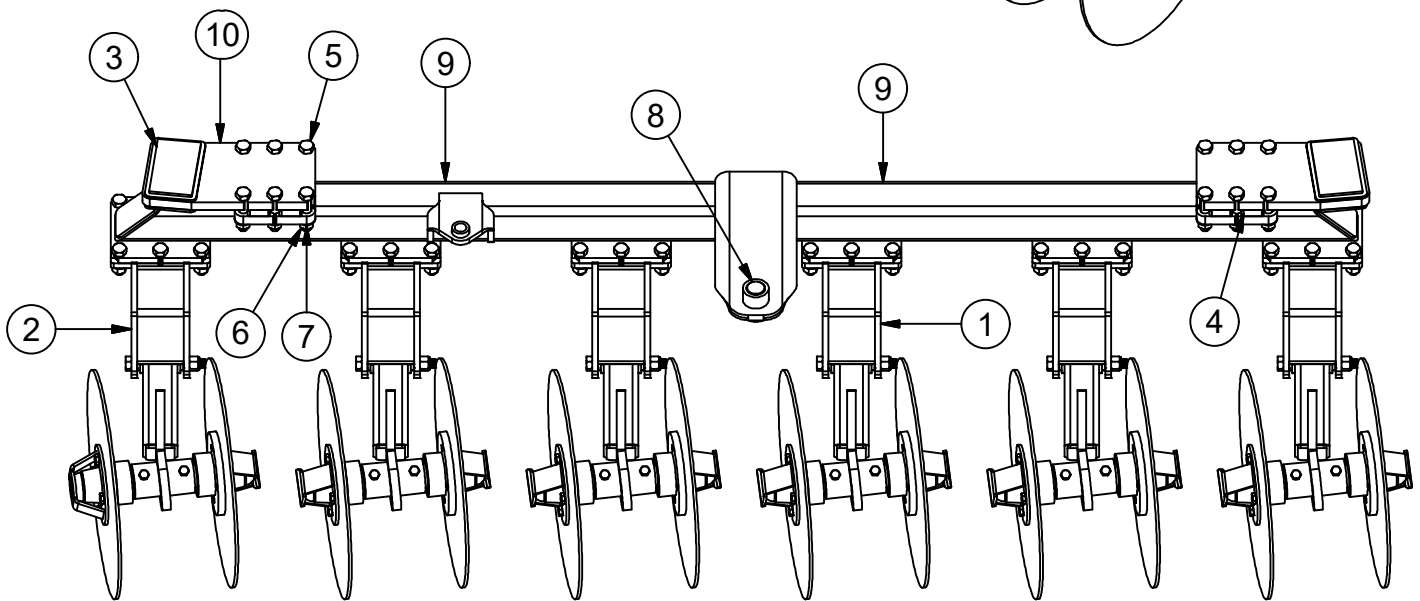
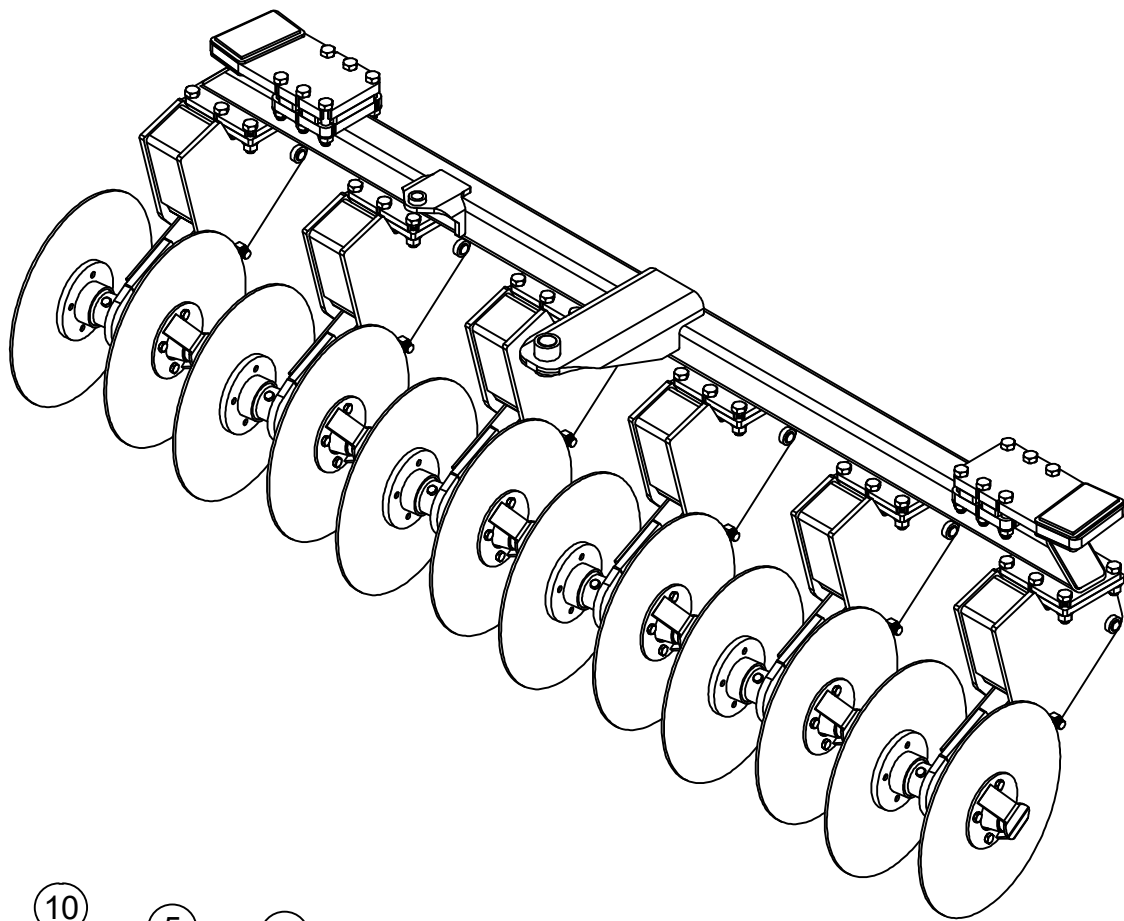
| AC001506: Axle and Wheels Assy - 10-bolt | | | AC001506: Axle and Wheels Assy - 10-bolt | | |
|--|-------------|--|--|-------------|--|
| ITEM | PART NUMBER | DESCRIPTION | ITEM | PART NUMBER | DESCRIPTION |
| 1 | KW100006 | Assembly, Wheel & Tire: 10 Bolt | 10 | R0410109 | Nut, Nylon Insert Lock, Grade 2, 3/4"-10 |
| 2 | PR201501 | Pin, Axle Arm: 2" | 11 | R1502510 | Zerk, Grease: 1/4"-18 NPT |
| 3 | PR251001 | Shaft, Rotation, Axle | 12 | R1502509 | Zerk, Grease: 1/8"-27 NPT -.75" |
| 4 | R0130640 | Bolt, Grade 8, 1/2"-13 x 4" | 13 | R9903009 | Assembly, 10 Bolt Wheel Hub/Spindle |
| 5 | R0130950 | Bolt, Grade 8, 3/4"-10 x 5" | 14 | R9907005 | Tire, Flotation, 440/55 R18 |
| 6 | R0130950 | Bolt, Grade 8, 3/4"-10 x 5" | 15 | R9908003 | Wheel, Flotation, 10 Bolt - Ag White |
| 7 | R0150501 | Nut, Wheel Lug 3/4"-20 | 16 | WC001511 | Rocker Axle Arm |
| 8 | R0410106 | Nut, Nylon Insert Lock, Grade 2, 1/2"-13 | 17 | WC001513 | Rocker Axle Spindles Housing: 37 |
| 9 | R0410109 | Nut, Nylon Insert Lock, Grade 2, 3/4"-10 | 18 | R0150926 | Lug Bolt: 3/4" |

Axle and Wheels Assembly: 8-Bolt



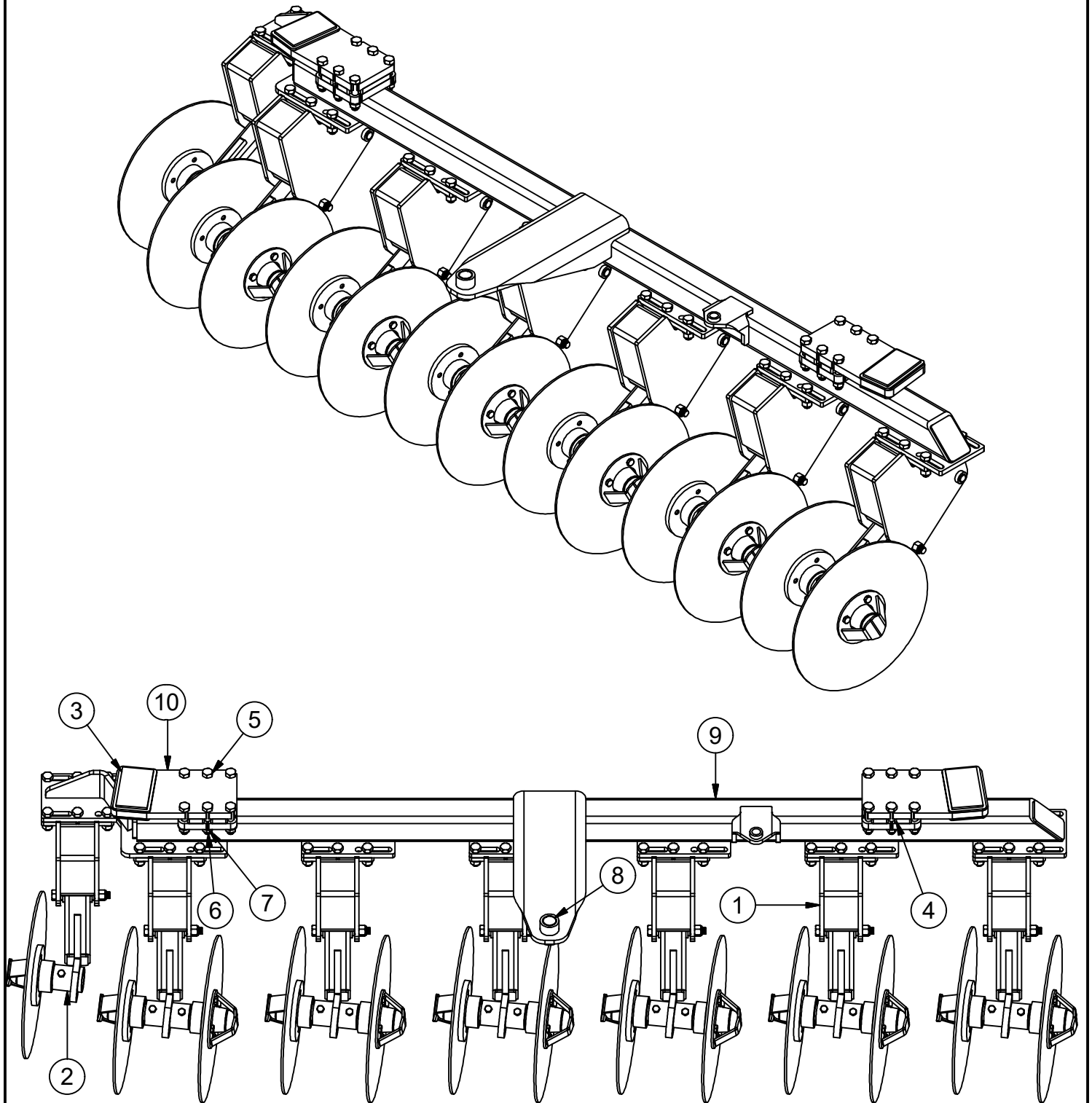
| AC001565: 8 Bolt Axle and Wheels Assembly | | | AC001565: 8 Bolt Axle and Wheels Assembly | | |
|---|-------------|--|---|-------------|--|
| ITEM | PART NUMBER | DESCRIPTION | ITEM | PART NUMBER | DESCRIPTION |
| 1 | KW100008 | Assembly, Wheel & Tire: 8 Bolt | 9 | R0410109 | Nut, Nylon Insert Lock, Grade 2, 3/4"-10 |
| 2 | PR201501 | Pin, Axle Arm: 2" | 10 | R1502509 | Zerk, Grease: 1/8"-27 NPT -.75" |
| 3 | PR251001 | Shaft, Rotation, Axle: 2.50" x 10" | 11 | R1502510 | Zerk, Grease: 1/4"-18 NPT |
| 4 | R0130640 | Bolt, Grade 8, 1/2"-13 x 4" | 12 | R9903008 | Wheel Hub / Spindle, 2-1/2: 32 |
| 5 | R0130950 | Bolt, Grade 8, 3/4"-10 x 5" | 13 | R9907001 | Tire, Floatation 320/70R15 (12.5L) |
| 6 | R0150723 | Bolt: 9/16" 8 Bolt Wheel Stud | 14 | R9908005 | Wheel, Floatation, 8 Bolt: 32 |
| 7 | R0350107 | 8 Bolt Lug Nut | 15 | WC001511 | Rocker Axle Arm |
| 8 | R0410106 | Nut, Nylon Insert Lock, Grade 2, 1/2"-13 | 16 | WC001579 | Housing, Spindles, Rocker Axle, 8 Bolt |

Tool Bar Assembly, Right Front Center: 10'



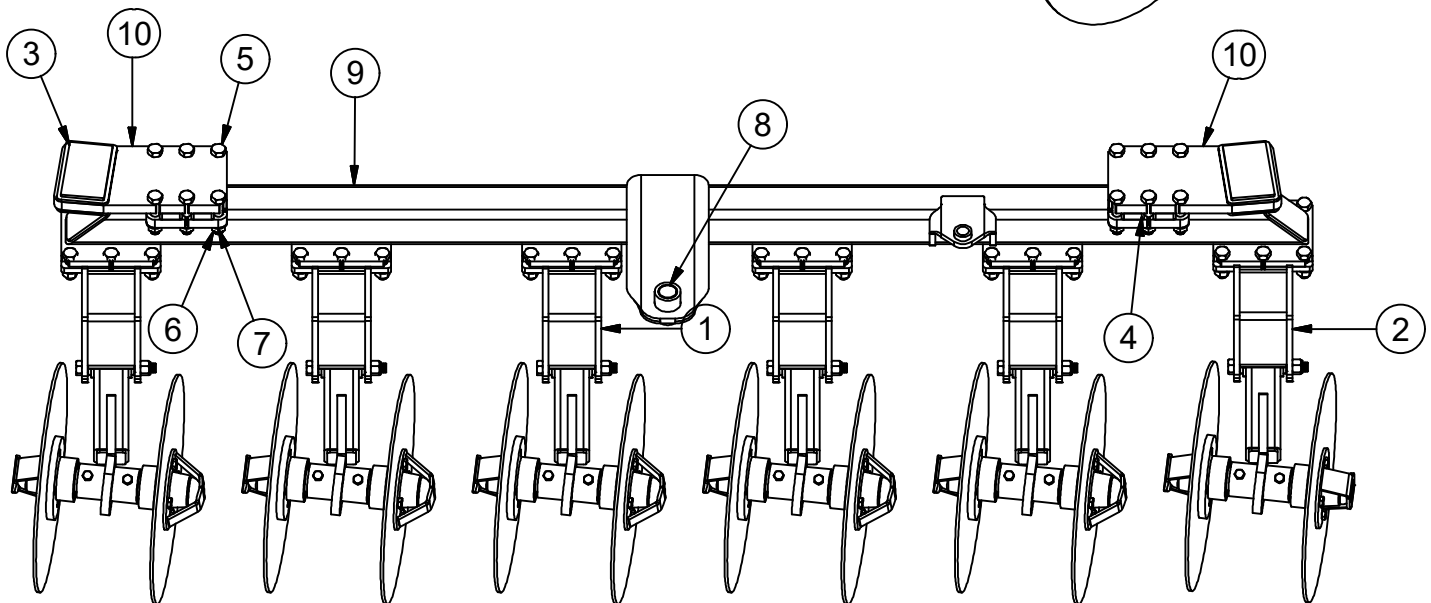
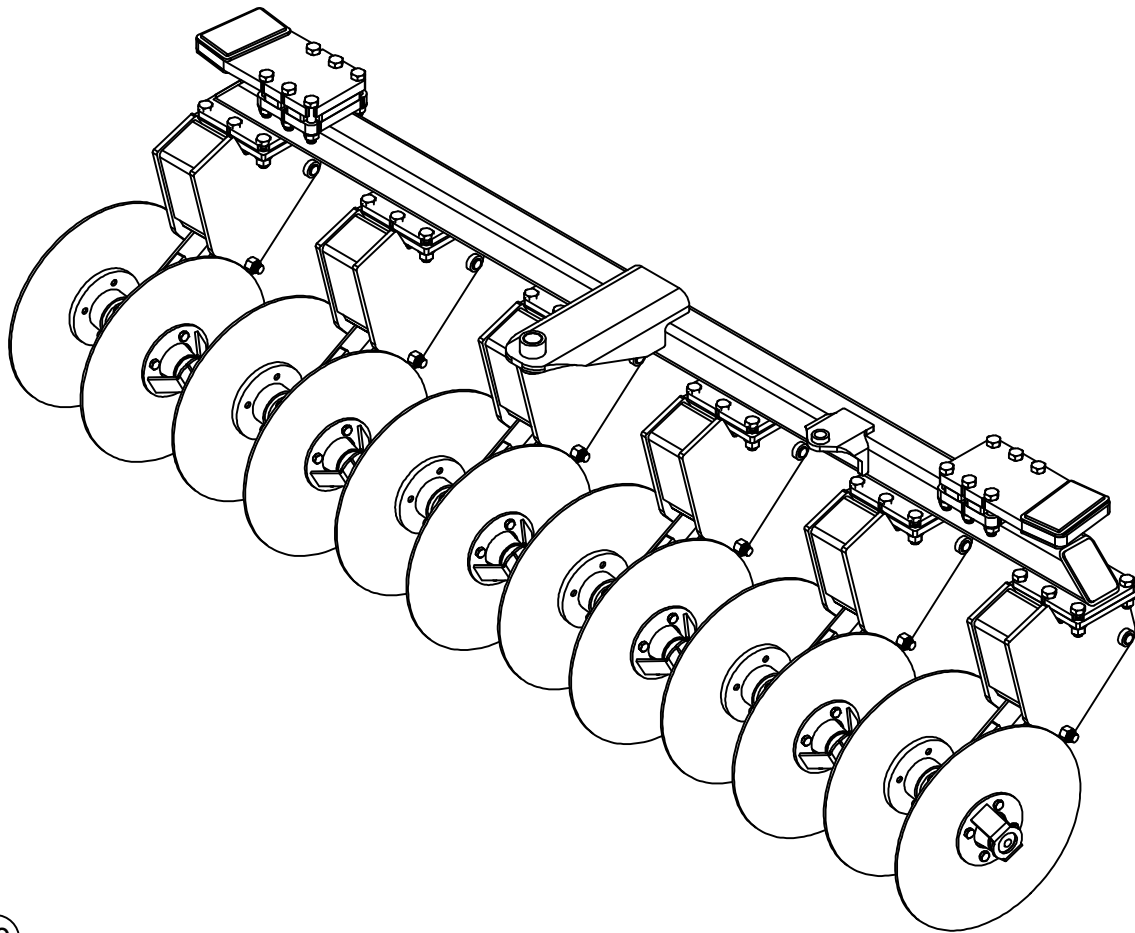
| Tool Bar, Right Front Center: 120" | | | Tool Bar, Right Front Center: 120" | | |
|------------------------------------|-------------|---|------------------------------------|-------------|--------------------------------------|
| ITEM | PART NUMBER | DESCRIPTION | ITEM | PART NUMBER | DESCRIPTION |
| 1 | AC002509 | Assembly, Shank: Right | 6 | R0340109 | Nut, Grade 8, 3/4"-16 Fine Thread |
| 2 | Inquire | Assembly, Shank: Right Center | 7 | R0610009 | Lock Washer, 3/4", Medium |
| 3 | PM032503 | UHMW Glide Plate | 8 | R1015003 | Bushing, Greaseless, 1.5" ID x 1.5"L |
| 4 | PP082514 | Tool Bar Bolt Plate | 9 | Inquire | Tool Bar, RF: 120" |
| 5 | R0140940 | Bolt, Grade 8, 3/4"-16 x 4" Fine Thread | 10 | Inquire | Tool Bar Glide Pad Bracket |

Tool Bar Assembly, Right Rear Center: 10'



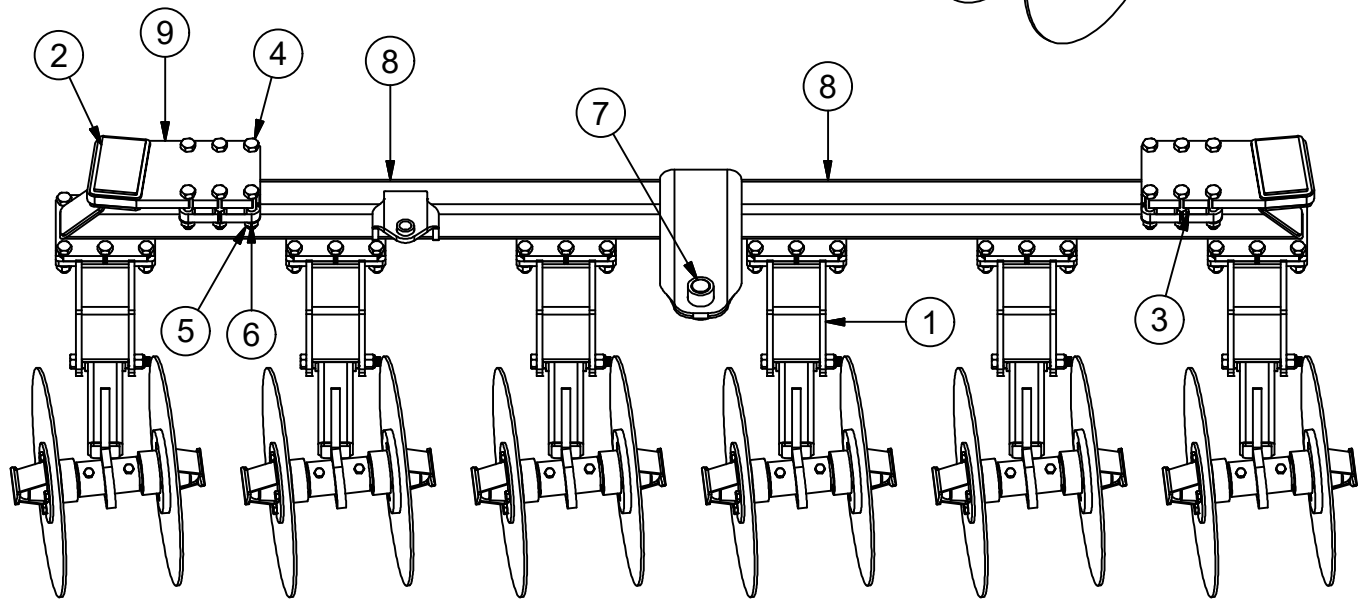
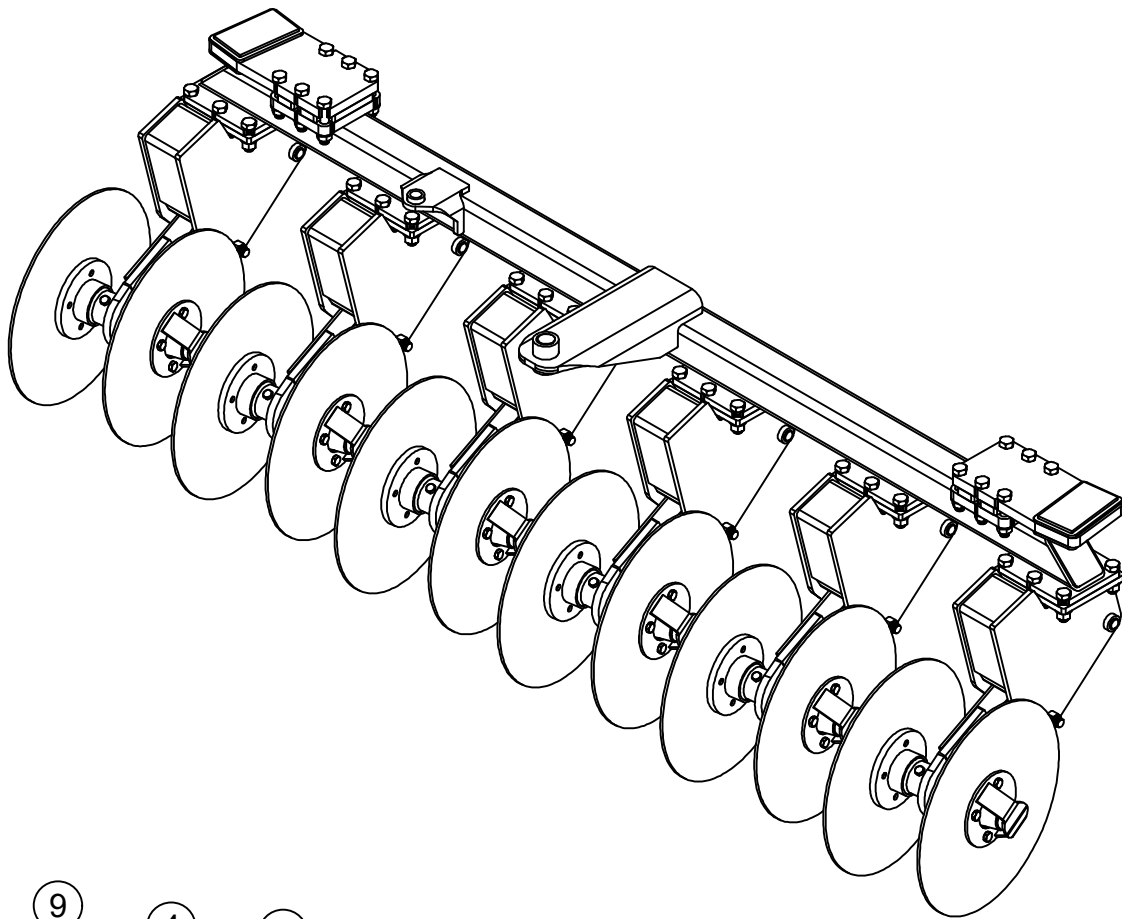
| Tool Bar Assembly, RR Center: 120" | | | Tool Bar Assembly, RR Center: 120" | | |
|------------------------------------|-------------|---|------------------------------------|-------------|--------------------------------------|
| ITEM | PART NUMBER | DESCRIPTION | ITEM | PART NUMBER | DESCRIPTION |
| 1 | AC002510 | Assembly, Shank: Left | 6 | R0340109 | Nut, Grade 8, 3/4"-16 Fine Thread |
| 2 | See Page 23 | Assembly, Shank: Right Rear Center | 7 | R0610009 | Lock Washer, 3/4", Medium |
| 3 | PM032503 | UHMW Glide Plate | 8 | R1015003 | Bushing, Greaseless, 1.5" ID x 1.5"L |
| 4 | PP082514 | Tool Bar Bolt Plate | 9 | Inquire | Tool Bar, RRC: 120 |
| 5 | R0140940 | Bolt, Grade 8, 3/4"-16 x 4" Fine Thread | 10 | Inquire | Tool Bar Glide Pad Bracket |

Tool Bar Assembly, Left Front Center: 10'



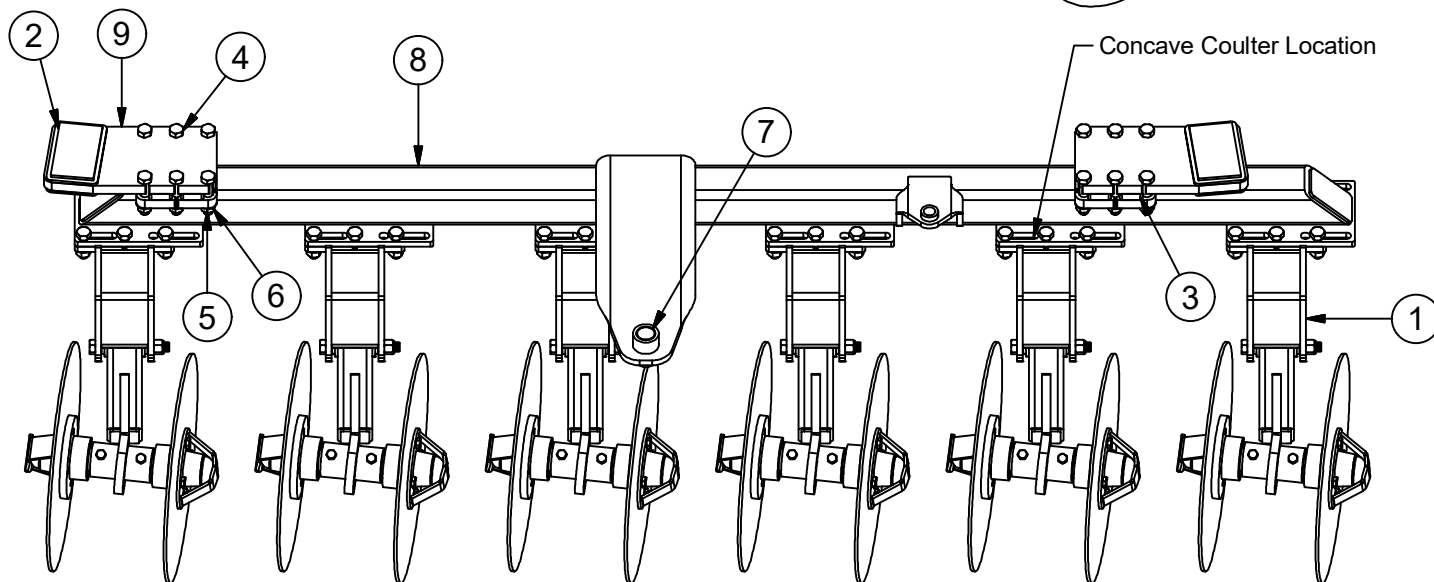
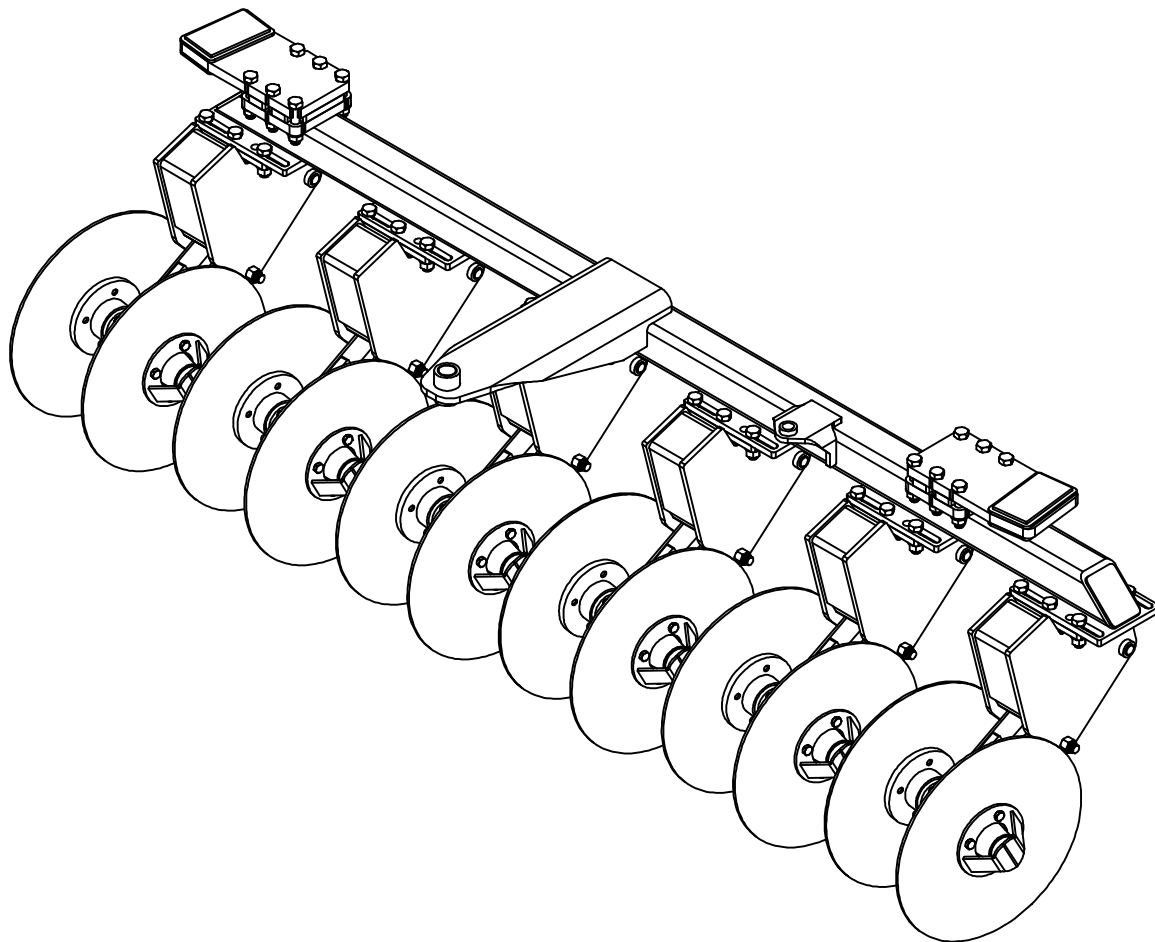
| Tool Bar, LF Center: 120" | | | Tool Bar, LF Center: 120" | | |
|---------------------------|-------------|---|---------------------------|-------------|--------------------------------------|
| ITEM | PART NUMBER | DESCRIPTION | ITEM | PART NUMBER | DESCRIPTION |
| 1 | AC002510 | Assembly, Shank: Left | 6 | R0340109 | Nut, Grade 8, 3/4"-16 Fine Thread |
| 2 | Inquire | Assembly, Shank: Left Center | 7 | R0610009 | Lock Washer, 3/4", Medium |
| 3 | PM032503 | UHMW Glide Plate | 8 | R1015003 | Bushing, Greaseless, 1.5" ID x 1.5"L |
| 4 | PP082514 | Tool Bar Bolt Plate | 9 | Inquire | Tool Bar, LF: 120 |
| 5 | R0140940 | Bolt, Grade 8, 3/4"-16 x 4" Fine Thread | 10 | Inquire | Tool Bar Glide Pad Bracket |

Tool Bar Assembly, Right Front Wing: 10'



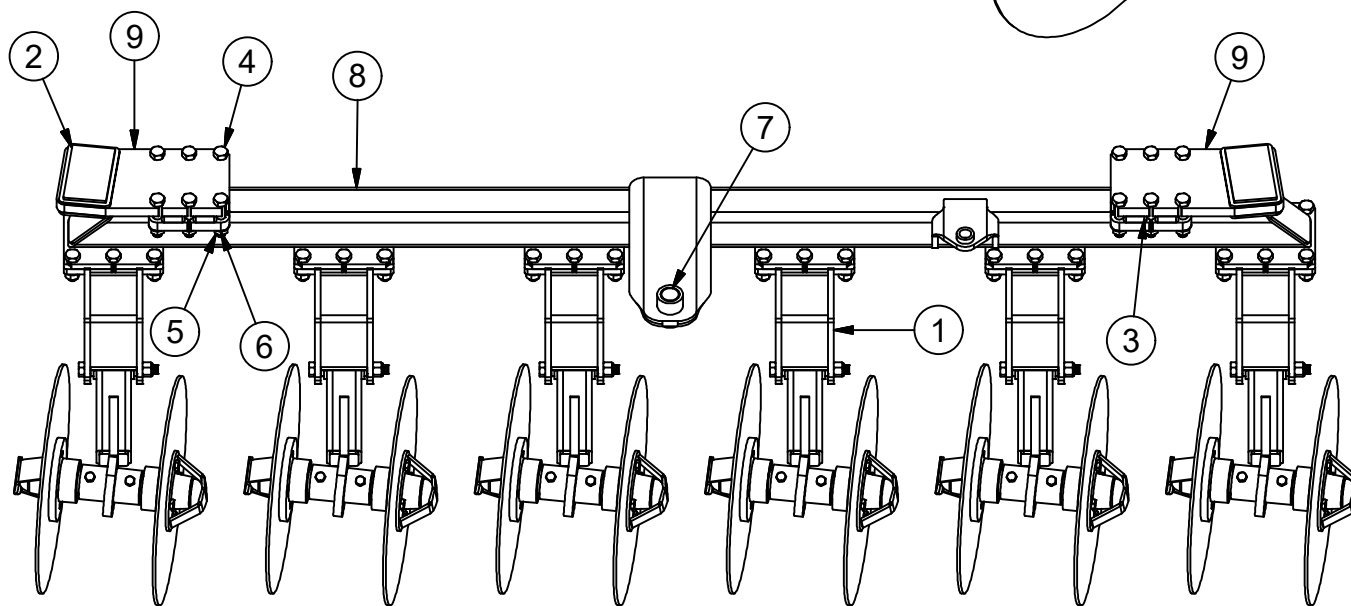
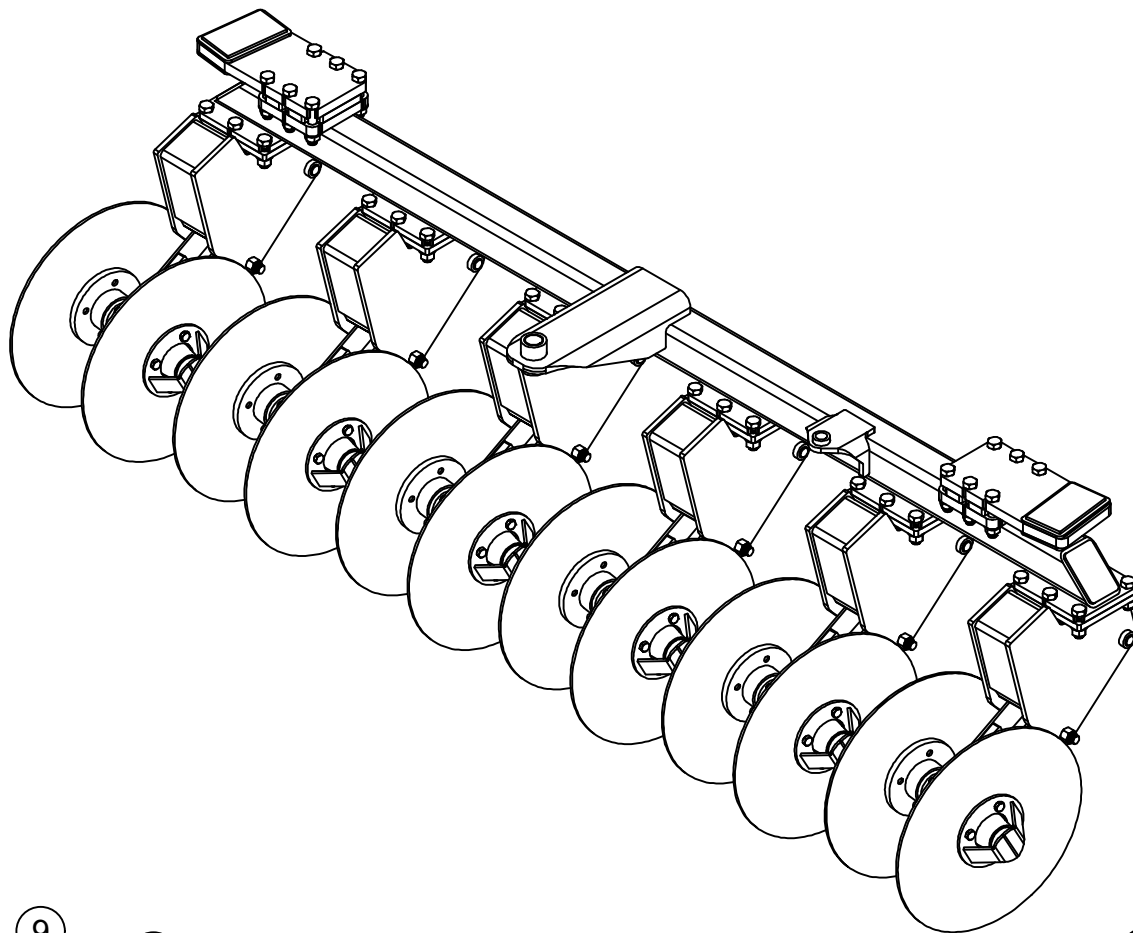
| Tool Bar, RF Wing: 120" | | | Tool Bar, RF Wing: 120" | | |
|-------------------------|-------------|---|-------------------------|-------------|--------------------------------------|
| ITEM | PART NUMBER | DESCRIPTION | ITEM | PART NUMBER | DESCRIPTION |
| 1 | AC002509 | Assembly, Shank: Right | 6 | R0610009 | Lock Washer, 3/4", Medium |
| 2 | PM032503 | UHMW Glide Plate | 7 | R1015003 | Bushing, Greaseless, 1.5" ID x 1.5"L |
| 3 | PP082514 | Tool Bar Bolt Plate | 8 | Inquire | Tool Bar, RF: 120 |
| 4 | R0140940 | Bolt, Grade 8, 3/4"-16 x 4" Fine Thread | 9 | Inquire | Tool Bar Glide Pad Bracket |
| 5 | R0340109 | Nut, Grade 8, 3/4"-16 Fine Thread | | | |

Tool Bar Assembly, Right Rear Wing: 10'



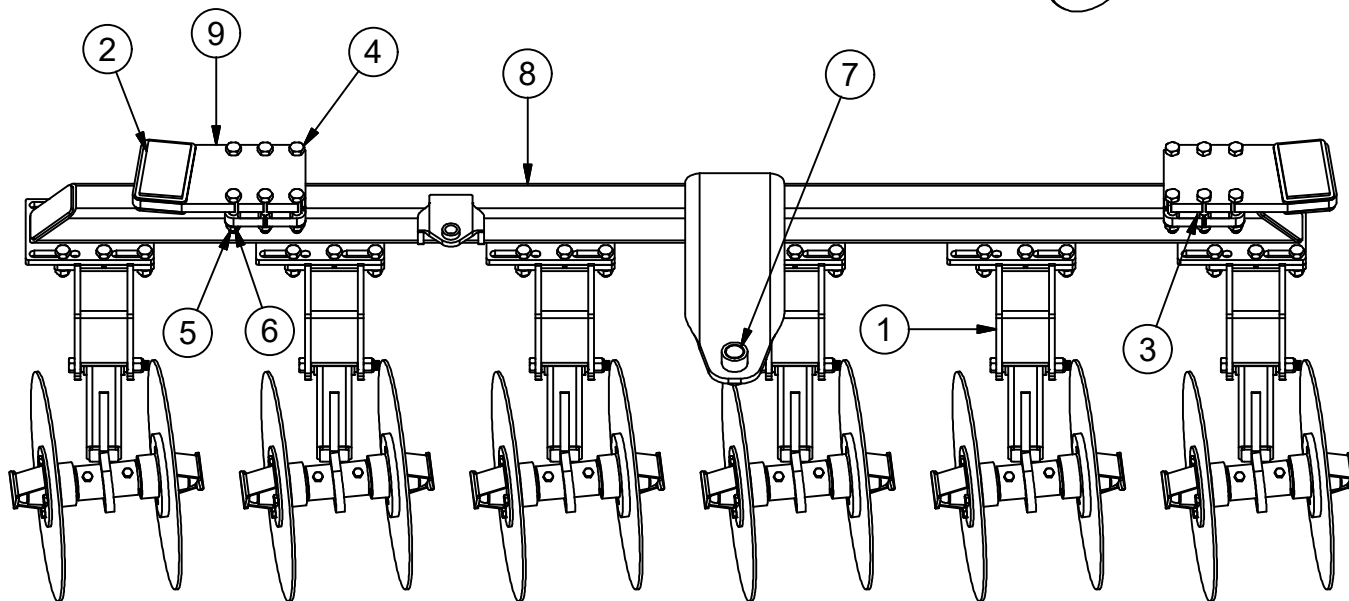
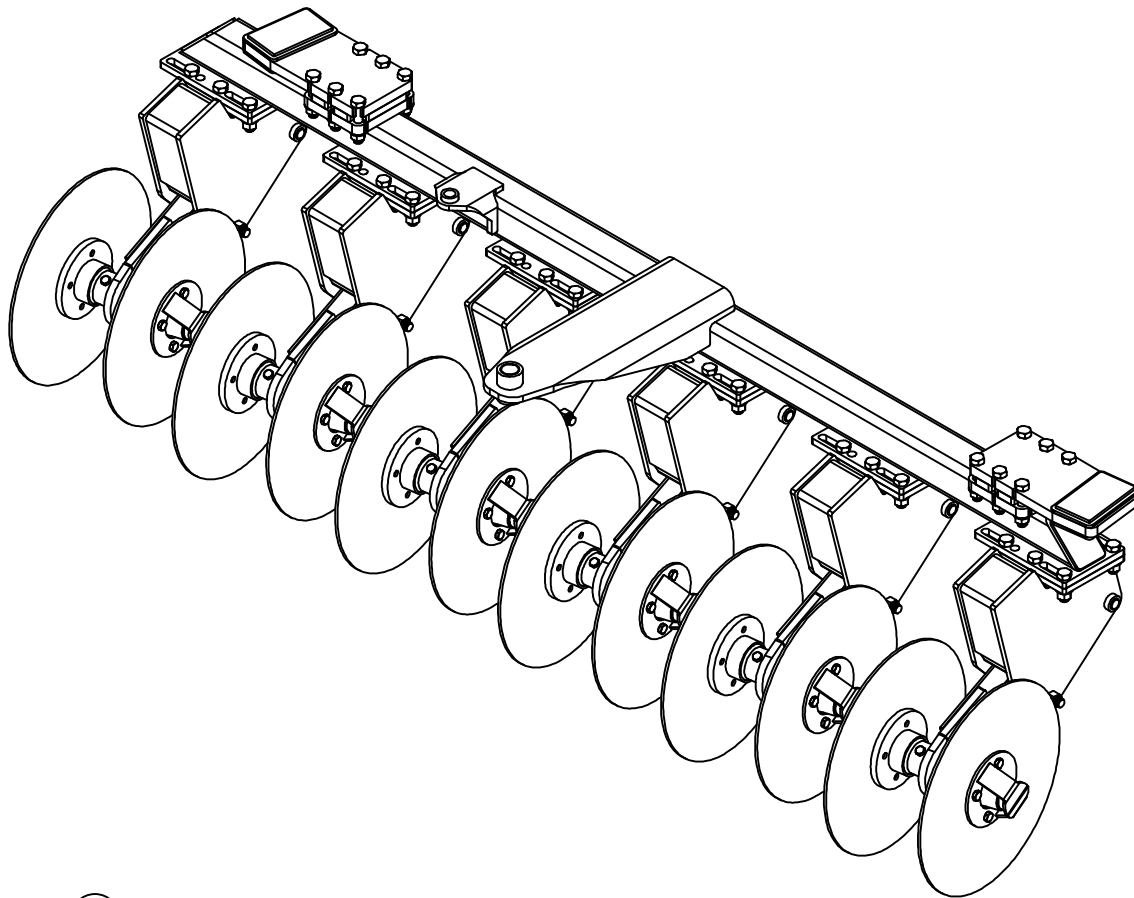
| Tool Bar Assembly, RR Wing: 120" | | | Tool Bar Assembly, RR Wing: 120" | | |
|----------------------------------|-------------|---|----------------------------------|-------------|--------------------------------------|
| ITEM | PART NUMBER | DESCRIPTION | ITEM | PART NUMBER | DESCRIPTION |
| 1 | AC002510 | Assembly, Shank: Left | 6 | R0610009 | Lock Washer, 3/4", Medium |
| 2 | PM032503 | UHMW Glide Plate | 7 | R1015003 | Bushing, Greaseless, 1.5" ID x 1.5"L |
| 3 | PP082514 | Tool Bar Bolt Plate | 8 | Inquire | Tool Bar, RR: 120 |
| 4 | R0140940 | Bolt, Grade 8, 3/4"-16 x 4" Fine Thread | 9 | Inquire | Tool Bar Glide Pad Bracket |
| 5 | R0340109 | Nut, Grade 8, 3/4"-16 Fine Thread | | | |

Tool Bar Assembly, Left Front Wing: 10'



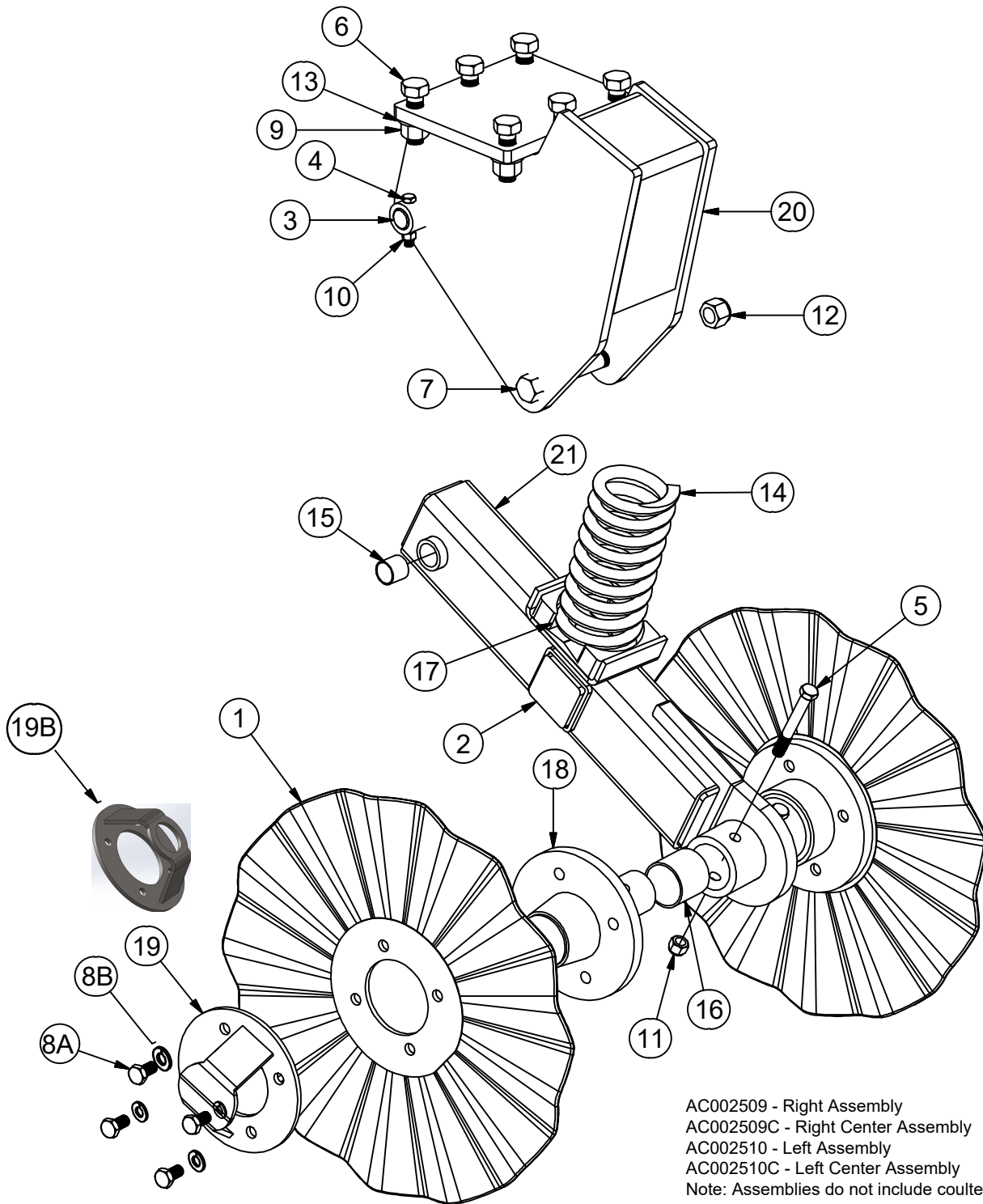
| Tool Bar Assembly, LF: 120" | | | Tool Bar Assembly, LF: 120" | | |
|-----------------------------|-------------|---|-----------------------------|-------------|--------------------------------------|
| ITEM | PART NUMBER | DESCRIPTION | ITEM | PART NUMBER | DESCRIPTION |
| 1 | AC002510 | Assembly, Shank: Left | 6 | R0610009 | Lock Washer, 3/4", Medium |
| 2 | PM032503 | UHMW Glide Plate | 7 | R1015003 | Bushing, Greaseless, 1.5" ID x 1.5"L |
| 3 | PP082514 | Tool Bar Bolt Plate | 8 | Inquire | Tool Bar, LF: 120 |
| 4 | R0140940 | Bolt, Grade 8, 3/4"-16 x 4" Fine Thread | 9 | Inquire | Tool Bar Glide Pad Bracket |
| 5 | R0340109 | Nut, Grade 8, 3/4"-16 Fine Thread | | | |

Tool Bar Assembly, Left Rear Center/Wing: 10'



| Tool Bar Assembly, LR Center/Wing: 120" | | | Tool Bar Assembly, LR Center/Wing: 120" | | |
|---|-------------|---|---|-------------|--------------------------------------|
| ITEM | PART NUMBER | DESCRIPTION | ITEM | PART NUMBER | DESCRIPTION |
| 1 | AC002509 | Assembly, Shank: Right | 6 | R0610009 | Lock Washer, 3/4", Medium |
| 2 | PM032503 | UHMW Glide Plate | 7 | R1015003 | Bushing, Greaseless, 1.5" ID x 1.5"L |
| 3 | PP082514 | Tool Bar Bolt Plate | 8 | Inquire | Tool Bar, LR: 120 |
| 4 | R0140940 | Bolt, Grade 8, 3/4"-16 x 4" Fine Thread | 9 | Inquire | Tool Bar Glide Pad Bracket |
| 5 | R0340109 | Nut, Grade 8, 3/4"-16 Fine Thread | | | |

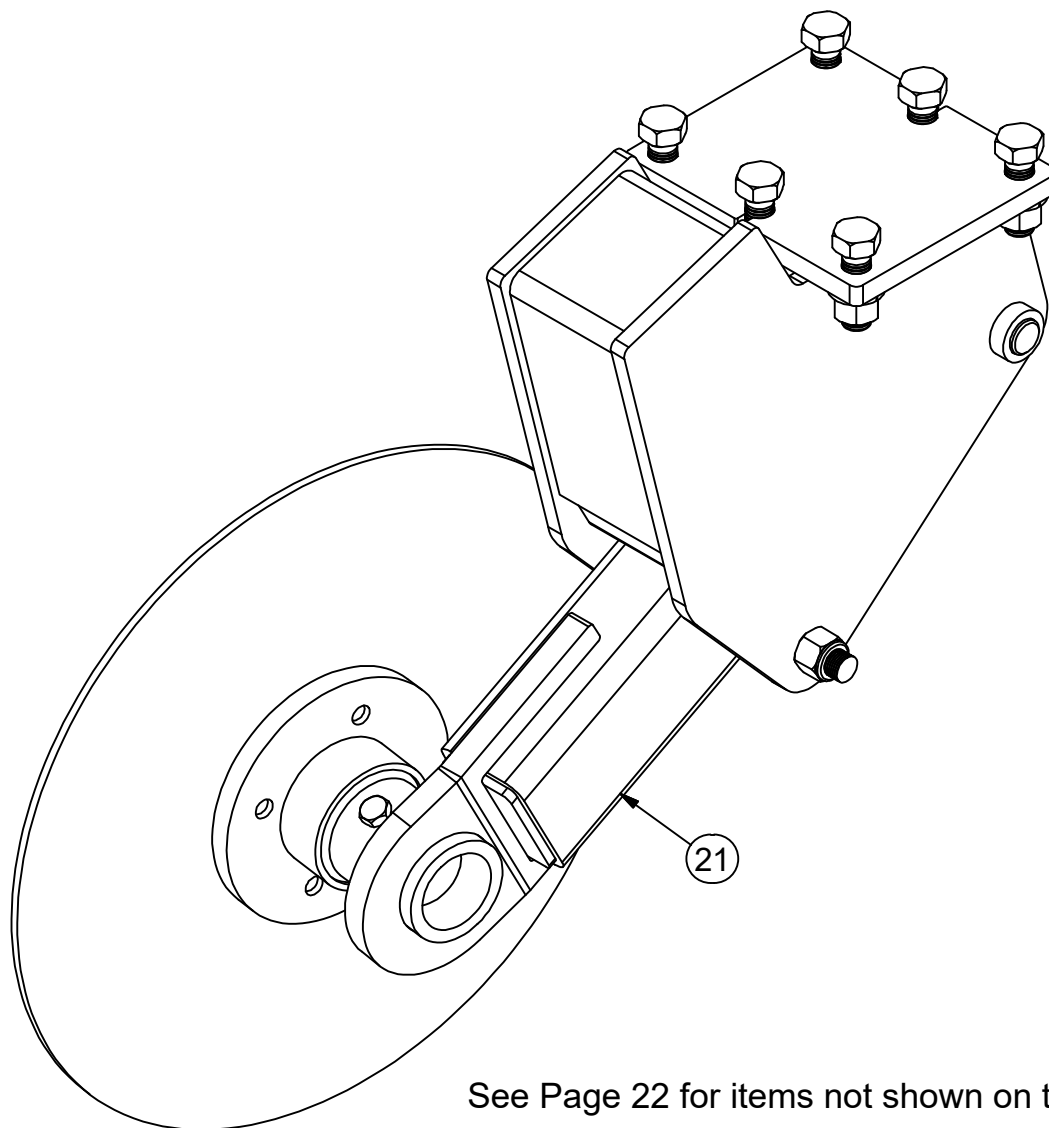
Spring/Shank Assembly: Right/Left/Front Center (Right Shown)



AC002509 - Right Assembly
 AC002509C - Right Center Assembly
 AC002510 - Left Assembly
 AC002510C - Left Center Assembly
 Note: Assemblies do not include coulter blades

| AC002509(C),AC002510(C): Assembly, Shank, (Right Shown) | | | AC002509(C),AC002510(C): Assembly, Shank, (Right Shown) | | |
|---|-------------|--|---|-------------|--|
| ITEM | PART NUMBER | DESCRIPTION | ITEM | PART NUMBER | DESCRIPTION |
| 1 | | Coulter Blade - See Options | 12 | R0410109 | Nut, Nylon Insert Lock, Grade 2, 3/4"-10 |
| 2 | PM051001 | Pad, UHMW | 13 | R0610009 | Lock Washer, 3/4", Medium |
| 3 | PR101001 | Pin, Shank Arm: 1" | 14 | R0940001 | Spring, Shank, Outer:.625" x 4" x 10" |
| 4 | R0110423 | Bolt, Grade 5, 3/8"-16 x 2-1/4" | 15 | R1010006 | Bushing, Greaseless, 1.0" ID x 2"L |
| 5 | R0130640 | Bolt, Grade 8, 1/2"-13 x 4" | 16 | R1022500 | Bushing, Greaseless, 2.0" ID x 2.0"L |
| 6 | R0130925 | Bolt, Grade 8, 3/4"-10 x 2-1/2" | 17 | R9902001 | Base, Shank Spring, Seat, 4" |
| 7 | R0130965 | Bolt, Grade 8, 3/4"-10 x 6.5" | 18 | R9903016 | Assy, Coulter Hub / Spindle - Modified |
| 8A | R0140613 | Bolt, Wheel Lug 1/2"-20 x 1-1/4" | 19A | WC001016 | Shield, Hub: Round Dust Cap |
| 8B | R0620006 | Lock Washer, 1/2" | 19B | WC006000 | Shield, Hub: Front Center Coulters |
| 9 | R0310109 | Nut, Hex, Grade A, 3/4"-10 | 20 | WC002509 | Spring Body |
| 10 | R0410104 | Nut, Nylon Insert Lock, Grade 2, 3/8"-16 | 21a | WC002519 | Coulter Arm: Right (Shown) |
| 11 | R0410106 | Nut, Nylon Insert Lock, Grade 2, 1/2"-13 | 21b | WC002520 | Coulter Arm: Left |

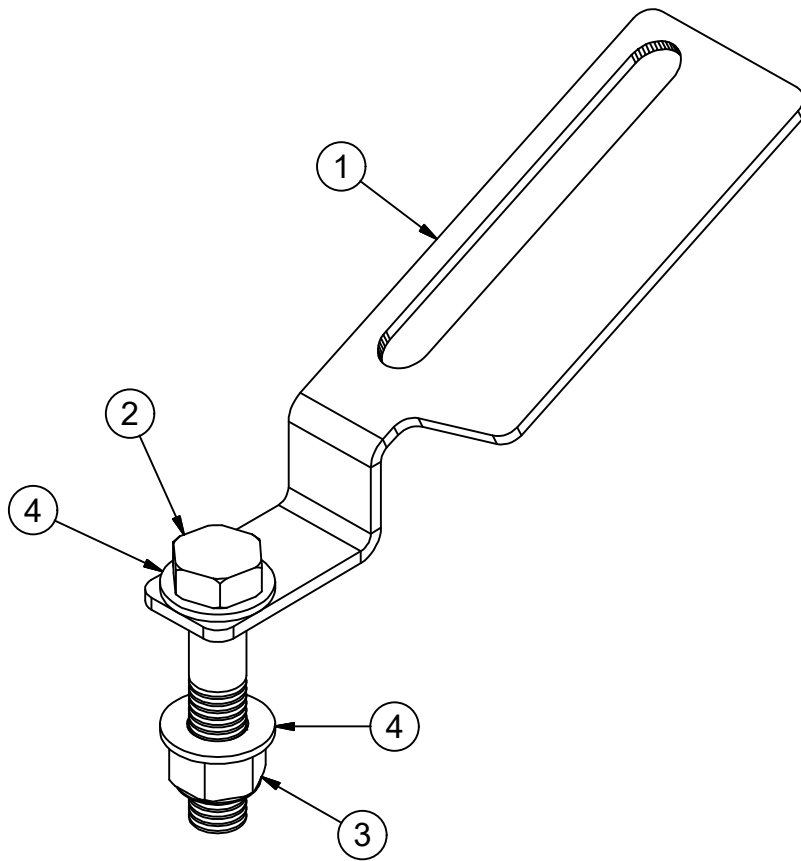
Spring/Shank Assembly: Right Rear Center



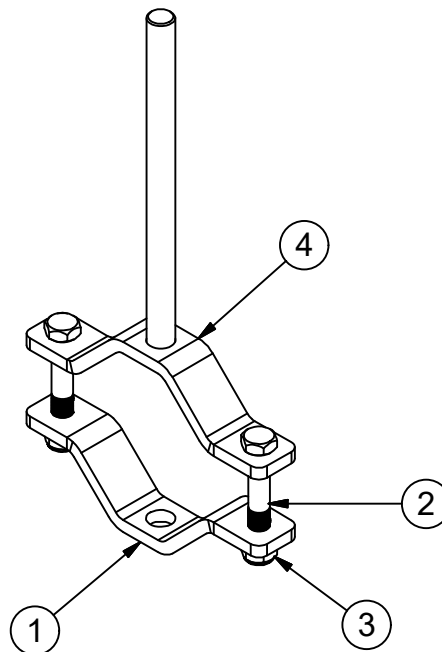
See Page 22 for items not shown on this page.

| Assembly, Shank: Right Rear Center | | | Assembly, Shank: Right Rear Center | | |
|------------------------------------|-------------|--|------------------------------------|-------------|--|
| ITEM | PART NUMBER | DESCRIPTION | ITEM | PART NUMBER | DESCRIPTION |
| 1 | | Coulter Blade - See Options | 12 | R0410109 | Nut, Nylon Insert Lock, Grade 2, 3/4"-10 |
| 2 | PM051001 | Pad, UHMW | 13 | R0610009 | Lock Washer, 3/4", Medium |
| 3 | PR101001 | Pin, Shank Arm: 1" | 14 | R0940001 | Spring, Shank, Outer:.625" x 4" x 10" |
| 4 | R0110423 | Bolt, Grade 5, 3/8"-16 x 2-1/4" | 15 | R1010006 | Bushing, Greaseless, 1.0" ID x 2"L |
| 5 | R0130640 | Bolt, Grade 8, 1/2"-13 x 4" | 16 | R1022500 | Bushing, Greaseless, 2.0" ID x 2.0"L |
| 6 | R0130925 | Bolt, Grade 8, 3/4"-10 x 2-1/2" | 17 | R9902001 | Base, Shank Spring, Seat, 4" |
| 7 | R0130965 | Bolt, Grade 8, 3/4"-10 x 6.5" | 18 | R9903016 | Assy, Coulter Hub / Spindle - Modified |
| 8 | R0150501 | Bolt, Wheel Lug 1/2"-20 x 1" | 19 | WC001016 | Shield, Hub: Round Dust Cap |
| 9 | R0310109 | Nut, Hex, Grade A, 3/4"-10 | 20 | WC002509 | Spring Body |
| 10 | R0410104 | Nut, Nylon Insert Lock, Grade 2, 3/8"-16 | 21 | Inquire | Coulter Arm: Center |
| 11 | R0410106 | Nut, Nylon Insert Lock, Grade 2, 1/2"-13 | | | |

Tool Bar Angle Gauge

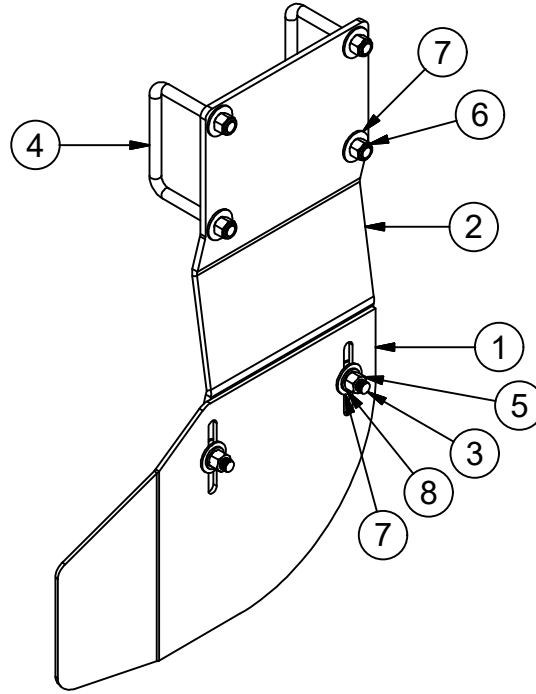


| AC003513: Tool Bar Angle Gauge | | | AC003513: Tool Bar Angle Gauge | | |
|--------------------------------|-------------|-----------------------------|--------------------------------|-------------|---------------------------------------|
| ITEM | PART NUMBER | DESCRIPTION | ITEM | PART NUMBER | DESCRIPTION |
| 1 | PP032509 | Storm Gauge, Tool Bar Angle | 3 | R0410111 | Nut, Nylon Insert Lock, Grade 2, 1"-8 |
| 2 | R0131150 | Bolt, Grade 8, 1"-8 x 5" | 4 | R0530211 | Washer, 1" x 2" O.D. |

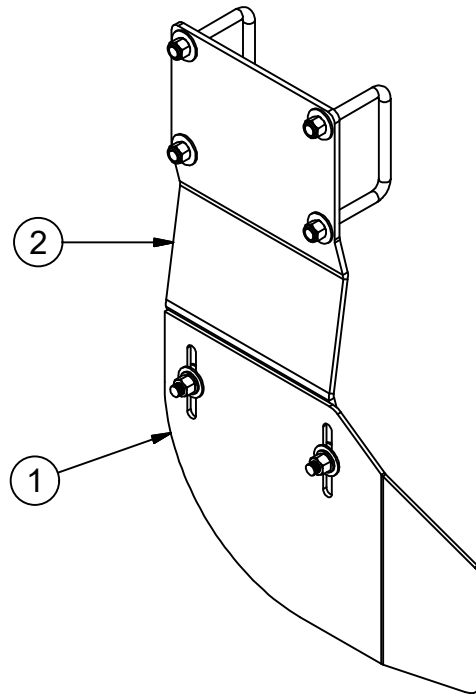


| AC003514: Angle Gauge Cylinder Marker | | | AC003514: Angle Gauge Cylinder Marker | | |
|---------------------------------------|-------------|---------------------------------|---------------------------------------|-------------|--|
| ITEM | PART NUMBER | DESCRIPTION | ITEM | PART NUMBER | DESCRIPTION |
| 1 | PP032512 | Mount Bracket, Indicator | 3 | R0410104 | Nut, Nylon Insert Lock, Grade 2, 3/8"-16 |
| 2 | R0110423 | Bolt, Grade 5, 3/8"-16 x 2-1/4" | 4 | WC002572 | Rod Bracket, Indicator |

Deflector Shield: RH/LH

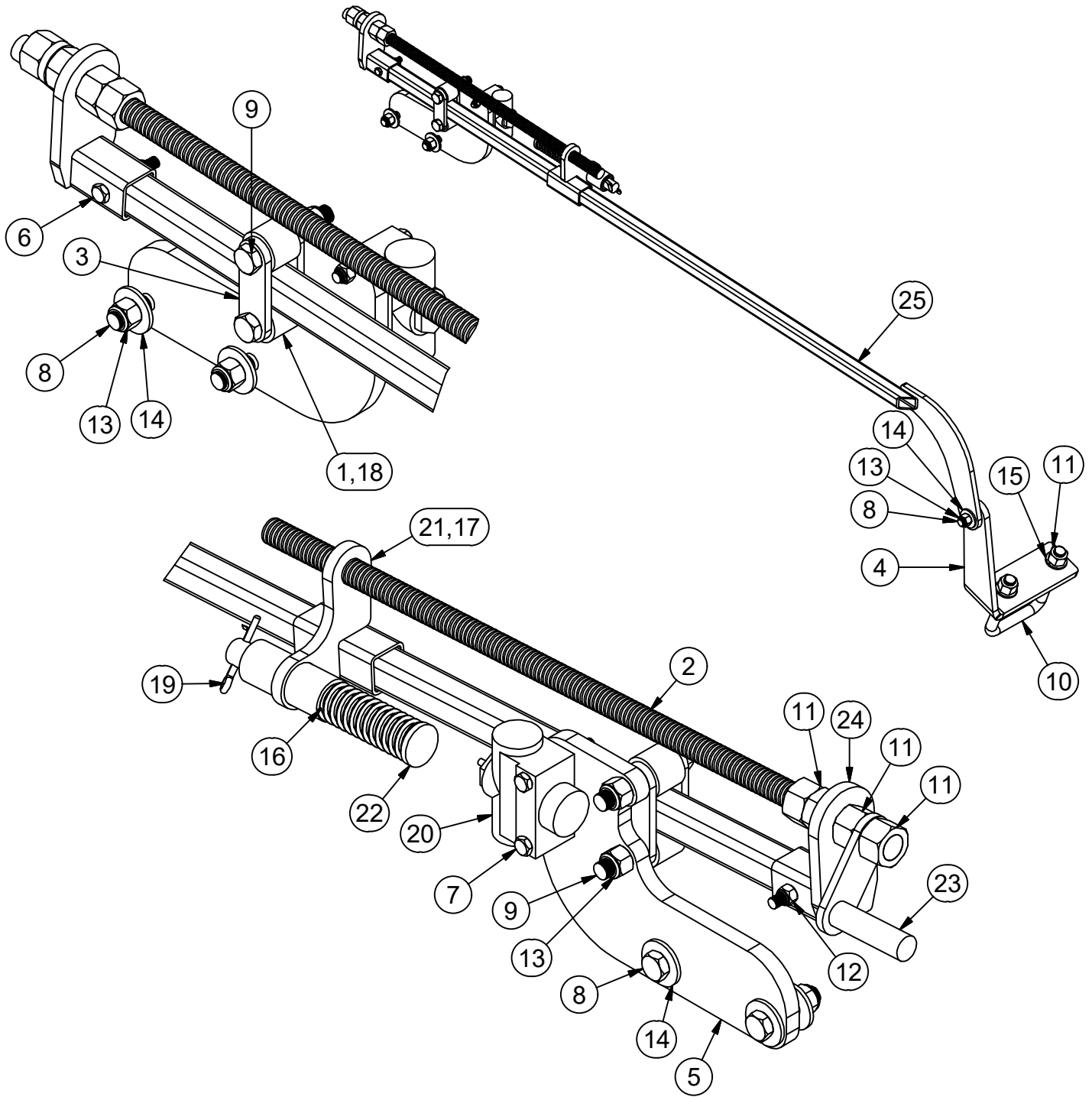


| AC003612: Deflector Shield - Right | | | AC003612: Deflector Shield - Right | | |
|------------------------------------|-------------|--|------------------------------------|-------------|--|
| ITEM | PART NUMBER | DESCRIPTION | ITEM | PART NUMBER | DESCRIPTION |
| 1 | Inquire | Deflector Shield - Right | 5 | R0306301 | Nut, Hex, Grade A, 5/8" -11 ZF |
| 2 | PP042506 | Deflector Shield Bracket - Right | 6 | R0410108 | Nut, Nylon Insert Lock, Grade 2, 5/8"-11 |
| 3 | R0130820 | Bolt, Grade 8, 5/8"-11 x 2" | 7 | R0510108 | Washer, USS, 5/8" x 1.750" |
| 4 | R0238653 | U-Bolt, Gr. 8, 5/8"-11, 5.25"x6"x5.25" | 8 | R0610008 | Lock Washer, 5/8", Medium |



| AC003613: Deflector Shield - Left | | | AC003613: Deflector Shield - Left | | |
|-----------------------------------|-------------|--|-----------------------------------|-------------|--|
| ITEM | PART NUMBER | DESCRIPTION | ITEM | PART NUMBER | DESCRIPTION |
| 1 | Inquire | Deflector Shield - Left | 5 | R0306301 | Nut, Hex, Grade A, 5/8" -11 ZF |
| 2 | PP042505 | Deflector Shield Bracket - Left | 6 | R0410108 | Nut, Nylon Insert Lock, Grade 2, 5/8"-11 |
| 3 | R0130820 | Bolt, Grade 8, 5/8"-11 x 2" | 7 | R0510108 | Washer, USS, 5/8" x 1.750" |
| 4 | R0238653 | U-Bolt, Gr. 8, 5/8"-11, 5.25"x6"x5.25" | 8 | R0610008 | Lock Washer, 5/8", Medium |

Depth Control Assembly



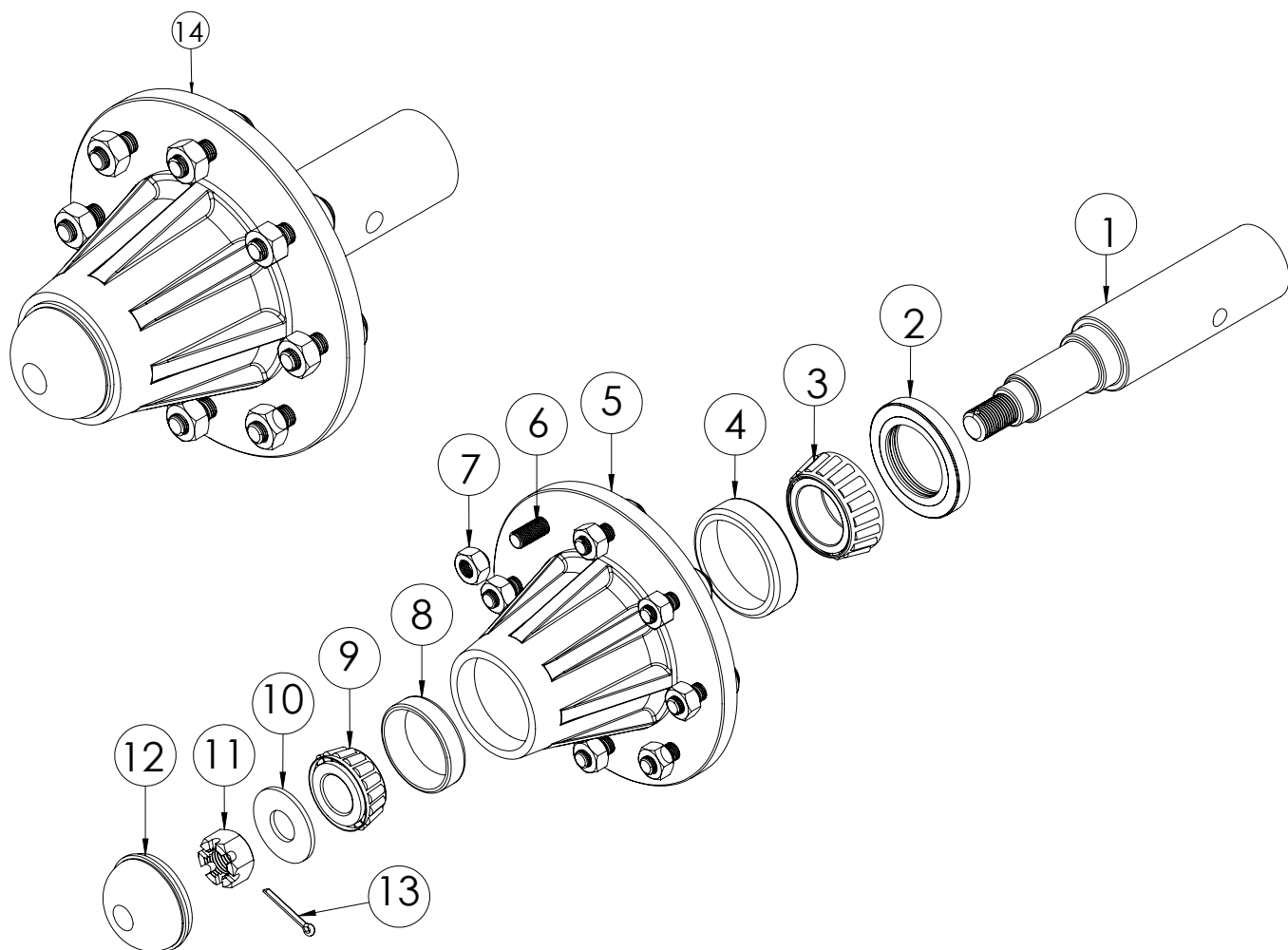
| Parts List | | | Parts List | | |
|------------|-------------|---|------------|-------------|--|
| ITEM | PART NUMBER | DESCRIPTION | ITEM | PART NUMBER | DESCRIPTION |
| 1 | PB131001 | Bushing, Depth Control Guide | 14 | R0510106 | Washer, USS, 1/2" |
| 2 | Inquire | Threaded, Depth Control: 3/4" | 15 | R0610009 | Lock Washer, 3/4" |
| 3 | PP031002 | Plate, Depth Control Guide Bushing | 16 | R0912001 | Spring, 1-1/8" x 0.120" x 4" Long (2/pack) |
| 4 | PP052534 | Axle Bracket, Depth Control | 17 | R1010001 | Bushing, Greaseless, 1"OD .77" ID x 3/4" |
| 5 | Inquire | Depth Control Mount Plate | 18 | R1010002 | Bush, Greaseless, 0.5"ID x .75"OD x 1"L |
| 6 | R0130320 | Bolt, 5/16"-18 x 2" | 19 | R1619251 | Pin, Cotter: 3/16" x 1.5" |
| 7 | R0130325 | Bolt, 5/16"-18 x 2-1/2" | 20 | R1803001 | Valve, Depth Control |
| 8 | R0130620 | Bolt, 1/2"-13 x 2" | 21 | WC001040 | Bracket, Depth Control Plunger Slide |
| 9 | R0130630 | Bolt, 1/2"-13 x 3" | 22 | WC001041 | Plunger, Depth Control |
| 10 | R0239458 | U-Bolt, Gr. 8, 3/4"-10, 5.75"x4.06"x5.75" | 23 | WC001042 | Handle, Depth Control |
| 11 | R0310109 | Nut, Hex, 3/4"-10 | 24 | WC001043 | Bracket, Linkage End Handle |
| 12 | R0410103 | Nut, Nylon Insert Lock, 5/16"-18 | 25 | Inquire | Arm, Depth Control Linkage |
| 13 | R0410106 | Nut, Nylon Insert Lock, 1/2"-13 | | | |

Hub Assembly: 10-Bolt

10-Bolt Hub(Illustration Not Available)

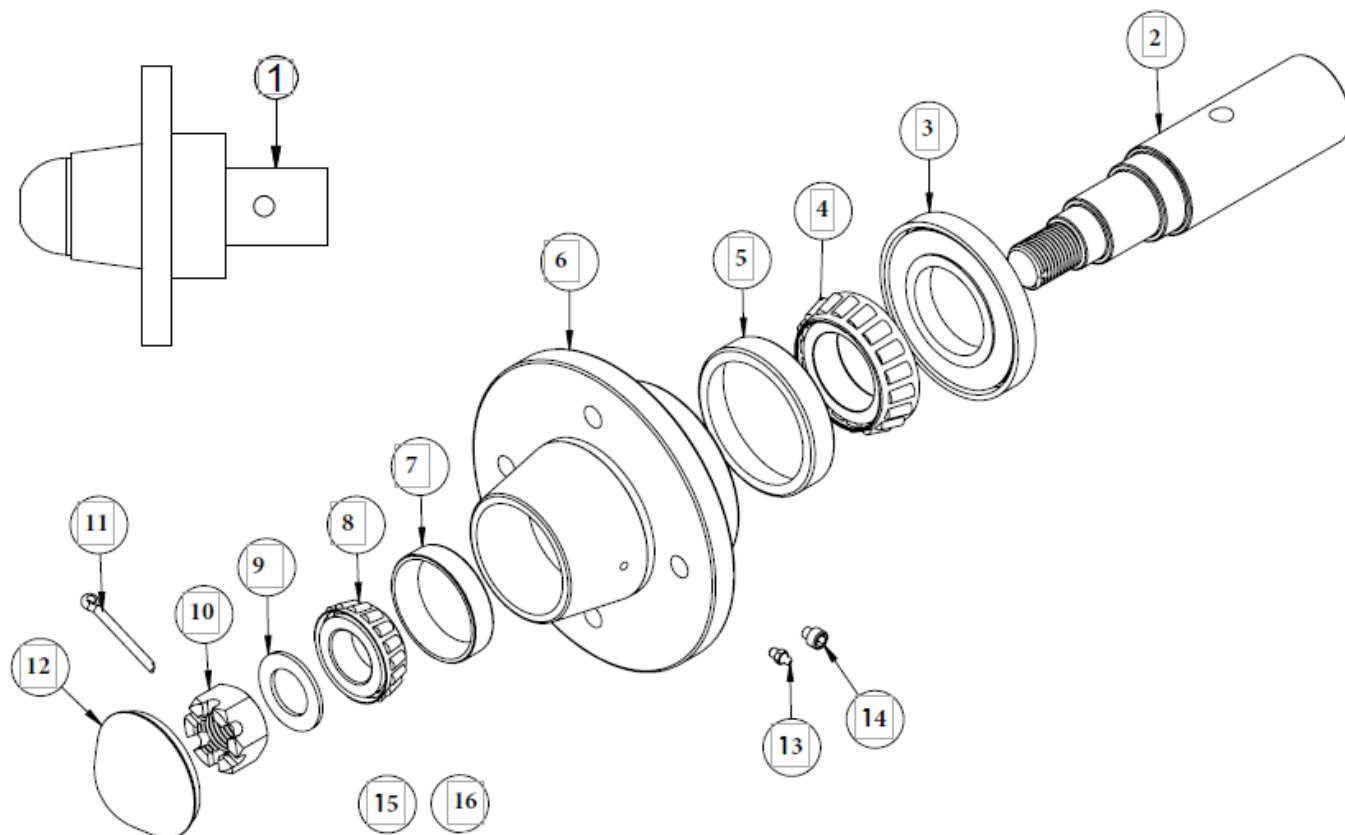
| Item | Part # | Description | Reference # |
|-------|-------------|---|-------------|
| 1 | N/A | Spindle | |
| 2 | R1300000-02 | Seal, Grease, Labyrinth Seal: 10-Bolt Hub | SE-48 |
| 3 | R1100002 | Bearing, Tapered, 10-Bolt Hub Inner (Premium) | 39585 |
| 4 | R1200001 | Race, 10-Bolt Hub Inner (Premium) | 39520 |
| 5 | N/A | Hub, Cast: 10-Bolt (Includes Races) | |
| 6 | R0150926 | Studded Bolt: 3/4" x 2-5/8" | |
| 7 | R0350107 | 10-Bolt Lug Nut: 3/4" | |
| 8 | R1200000 | Race, 10-Bolt Hub Outer (Premium) | 453A |
| 9 | R1100001 | Bearing, Tapered, 10-Bolt Hub Outer (Premium) | 460 |
| 10 | N/A | Washer, Flat, Hardened: 1.25" | |
| 11 | N/A | Nut, Castle, Fine: 1.25" | |
| 12 a) | R9906005 | Dust Cap: 10-Bolt Hub | |
| 12 b) | | Rubber Gasket, Dust Cap | |
| 13 | N/A | Cotter Pin: 3/16" x 1.75" | |
| 14 | R9903009-01 | Complete Hub/Spindle Assembly: 10-Bolt: 2.5" Spindle | |
| * | KB100000-11 | Premium(Silver) Rebuild Kit: 10-Bolt (Includes 2,3,4,8,9) | |
| ** | KB100002-12 | Premium(Gold) Rebuild Kit: 10-Bolt(Includes: 2-4,8-13) | |

Hub Assembly: 8-Bolt



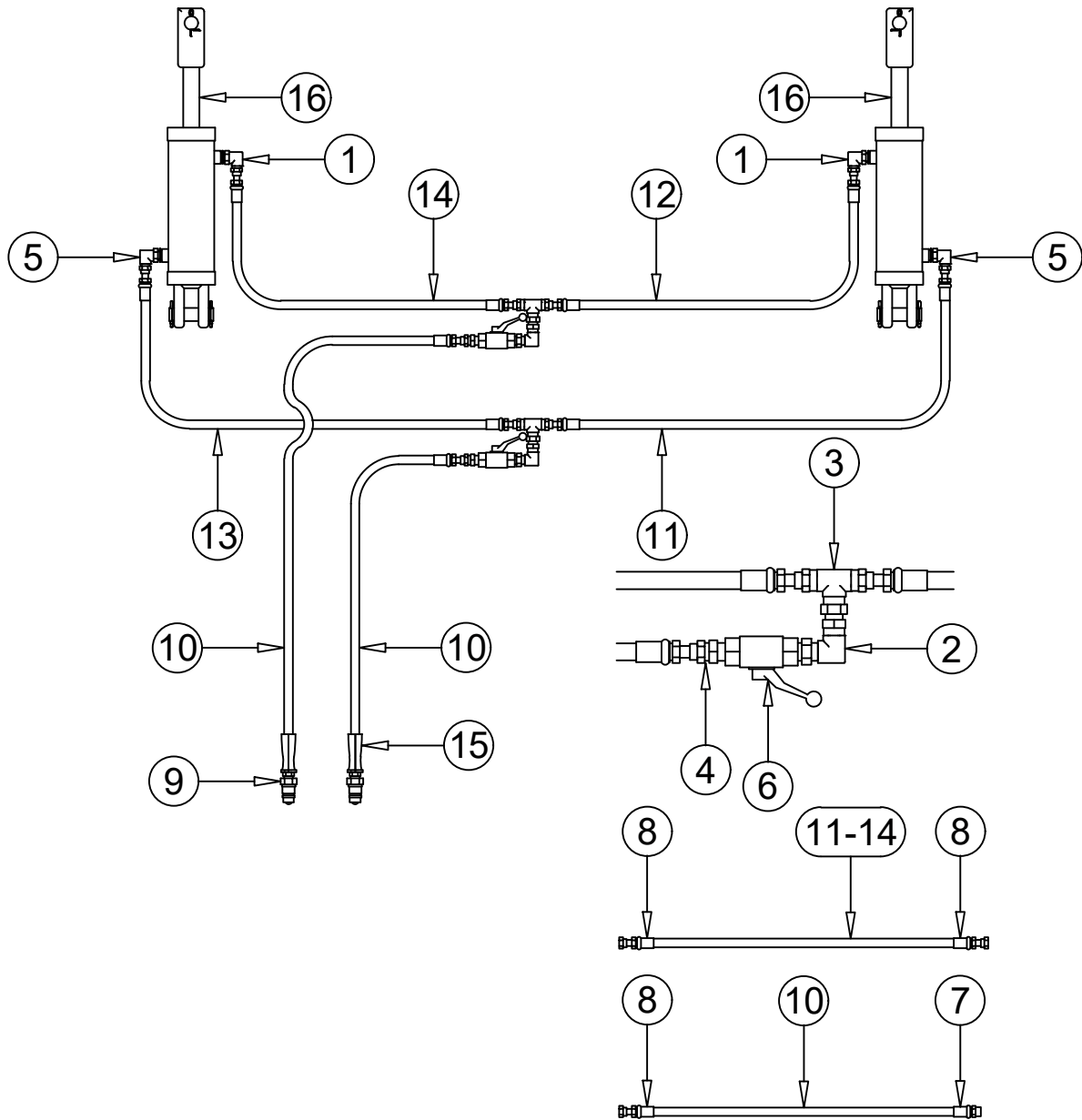
| Item | Part # | Description | Reference # |
|------|-------------|--|------------------|
| 1 | N/A | Spindle | |
| 2 | R1300001-02 | Seal, Grease, Labyrinth Seal: 8-Bolt Hub | SE-17-single lip |
| 3 | R1100018 | Bearing, Tapered, 8-Bolt Hub Inner (Premium) | 3780 |
| 4 | R1200006 | Race, 8-Bolt Hub Inner (Premium) | 3720 |
| 5 | R9905006 | Hub, Cast: 8-Bolt (Includes Races) | |
| 6 | R0150723 | Studded Bolt: 9/16" x 2-1/2" | |
| 7 | R0350107 | Nut, Lug, Fine: 9/16" | |
| 8 | R1200005 | Race, 8-Bolt Hub Outer (Premium) | 2720 |
| 9 | R1100017 | Bearing, Tapered, 8-Bolt Hub Outer (Premium) | 2790 |
| 10 | R0590005 | Washer, Flat, Hardened: 1" | |
| 11 | R1410001 | Nut, Castle, Fine: 1" | |
| 12 | R9906004 | Dust Cap: 8-Bolt Hub | DC-17 |
| 13 | R1618900 | Cotter Pin: 3/16" x 2" | |
| 14 | R9903008-01 | Complete Hub/Spindle Assembly: 8-Bolt: 2.5" Spindle | |
| * | KB100002-11 | Premium(Silver) Rebuild Kit: 8-Bolt (Includes 2,3,4,8,9) | |
| ** | KB100002-12 | Premium(Gold) Rebuild Kit: 8-Bolt(Includes: 2-4,8-13) | |

Coulter Hub Assembly



| Item | Part # | Description | Reference # |
|------|-------------|--|-------------|
| 1 | R9903016 | Assy, Coulter Hub: Rnd Spindle (complete) Storm | |
| 2 | n/a | 4-Bolt Round Spindle | |
| 3 | R1300004 | Seal, Grease, Triple Lip, w/Ductile (Fits all variations) | |
| 4 | n/a | Bearing, Tapered, 4-Bolt Inner | 30209 |
| 5 | n/a | Race, 4-Bolt Inner | 30209 |
| 6 | n/a | Hub, Cast, 4-Bolt | |
| 7 | n/a | Race, 4-Bolt Outer | 30206 |
| 8 | n/a | Bearing, Tapered, 4-Bolt Outer | 30206 |
| 9 | R0590100 | Washer, Flat, Hardened: 1" | |
| 10 | R0320411 | Nut, Castle: 1" | |
| 11 | R1618900 | Cotter Pin: 3/16" x 2" | |
| 12 | R9906003 | Dust Cap, 4-Bolt | |
| 13 | R1502505 | Zerk, Grease: 6mm x 1.0 | |
| 14 | R1502506 | Plug, Grease: 6mm x 1.0 | |
| 15a | KB200002 | Rebuild Kit, 4-Bolt (Includes Items 3-5,7-8) Fits all variations(CANADA ONLY) | |
| 15b | KB200002-10 | Rebuild Kit, 4-Bolt (Includes Items 3-5,7-8) Fits all variations(USA ONLY) | |
| 16a | KB200002-01 | Full Rebuild Kit: 4- Bolt (Includes Items 3-5,7-12)(CANADA ONLY) | |
| 16b | KB200002-11 | Full Rebuild Kit: 4- Bolt (Includes Items 4-6,7-12)(USA ONLY) | |
| | | | |
| | | | |
| | | | |

Hydraulics: Hitch

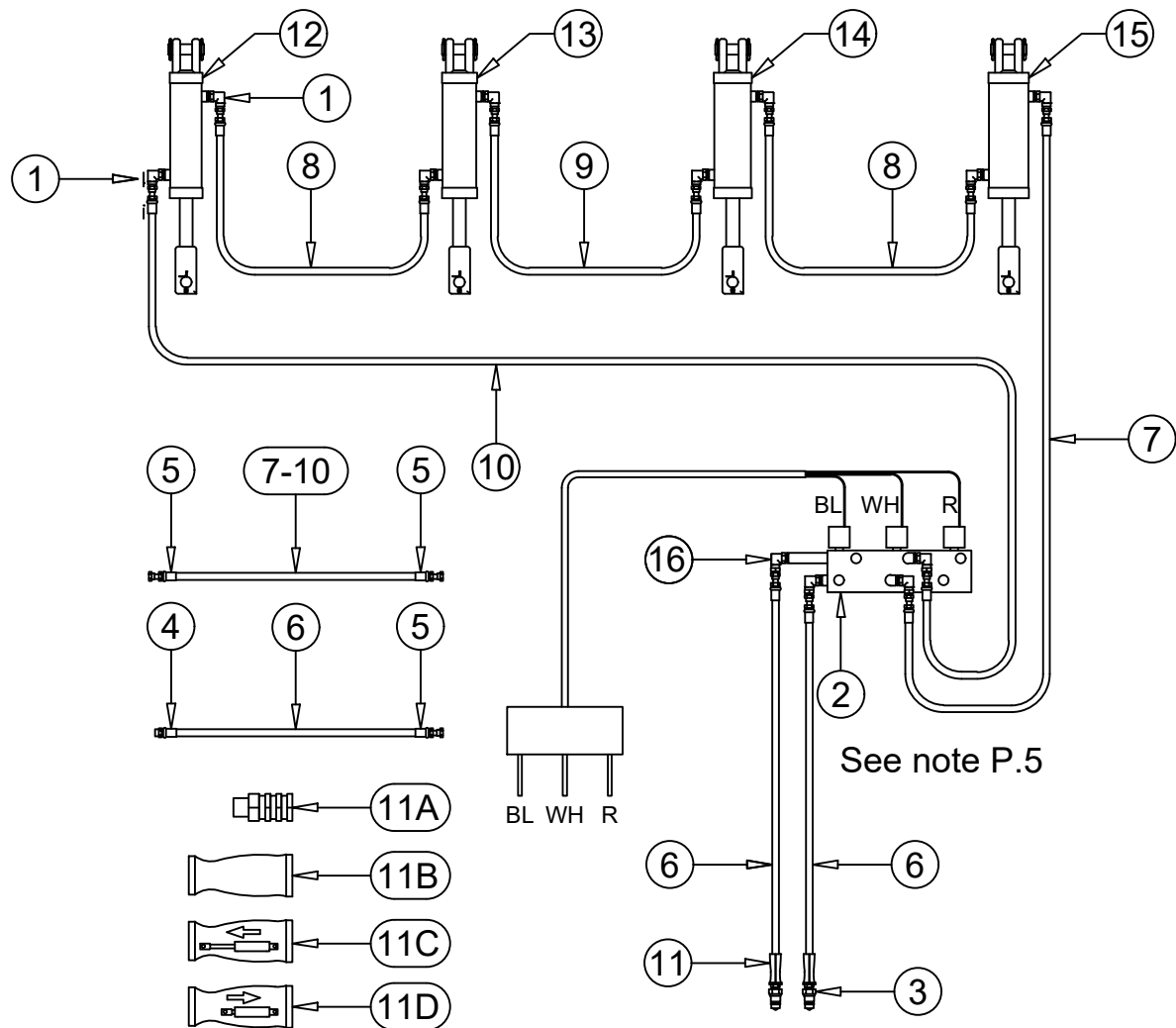


*Hydraulics may differ from picture. Inquire if further information required.

**Warranty void if cylinders disassembled.

| Storm: Hydraulic Schematic, Hitch | | | Storm: Hydraulic Schematic, Hitch | | |
|-----------------------------------|-------------|---|-----------------------------------|-------------|---|
| ITEM | PART NUMBER | DESCRIPTION | ITEM | PART NUMBER | DESCRIPTION |
| 1 | R1802007 | MORFS 6 to MORB 8, 90 Degree | 10 | Inquire | Hose, Hydraulic, Complete: 3/8 - 228 |
| 2 | R1802028 | MORFS 6 to MORB 6, 90 Degree | 11 | Inquire | Hose, Hydraulic, Complete: 3/8 - 11 |
| 3 | R1802032 | Swivel FORFS 6 to MORFS 6 Tee | 12 | Inquire | Hose, Hydraulic, Complete: 3/8 - 23 |
| 4 | R1802039 | MORB 6 to MORFS 6 Straight | 13 | Inquire | Hose, Hydraulic, Complete: 3/8 - 48 |
| 5 | R1802045 | MORFS 6 to MORB 8, 90 Degree Restrictor | 14 | Inquire | Hose, Hydraulic, Complete: 3/8 - 60 |
| 6 | R1803006 | ORB 6 HP BALL VALVE 7250 PSI | 15 | R1899010 | Grips, Hose, Hydraulic: 1/2" NPT - Blue |
| 7 | R1804002 | Hose Crimp 6 (3/8") to MNPT 8 (1/2") | 16 | R1940801 | Cylinder: 4" x 8" (S3320-S4020) |
| 8 | R1804006 | Hose Crimp 6 (3/8") to FORFS 6 | | | |
| 9 | R1805001 | Tip, Ball, Male: 1/2" NPT | | | |

Hydraulics: Front Tool Bars

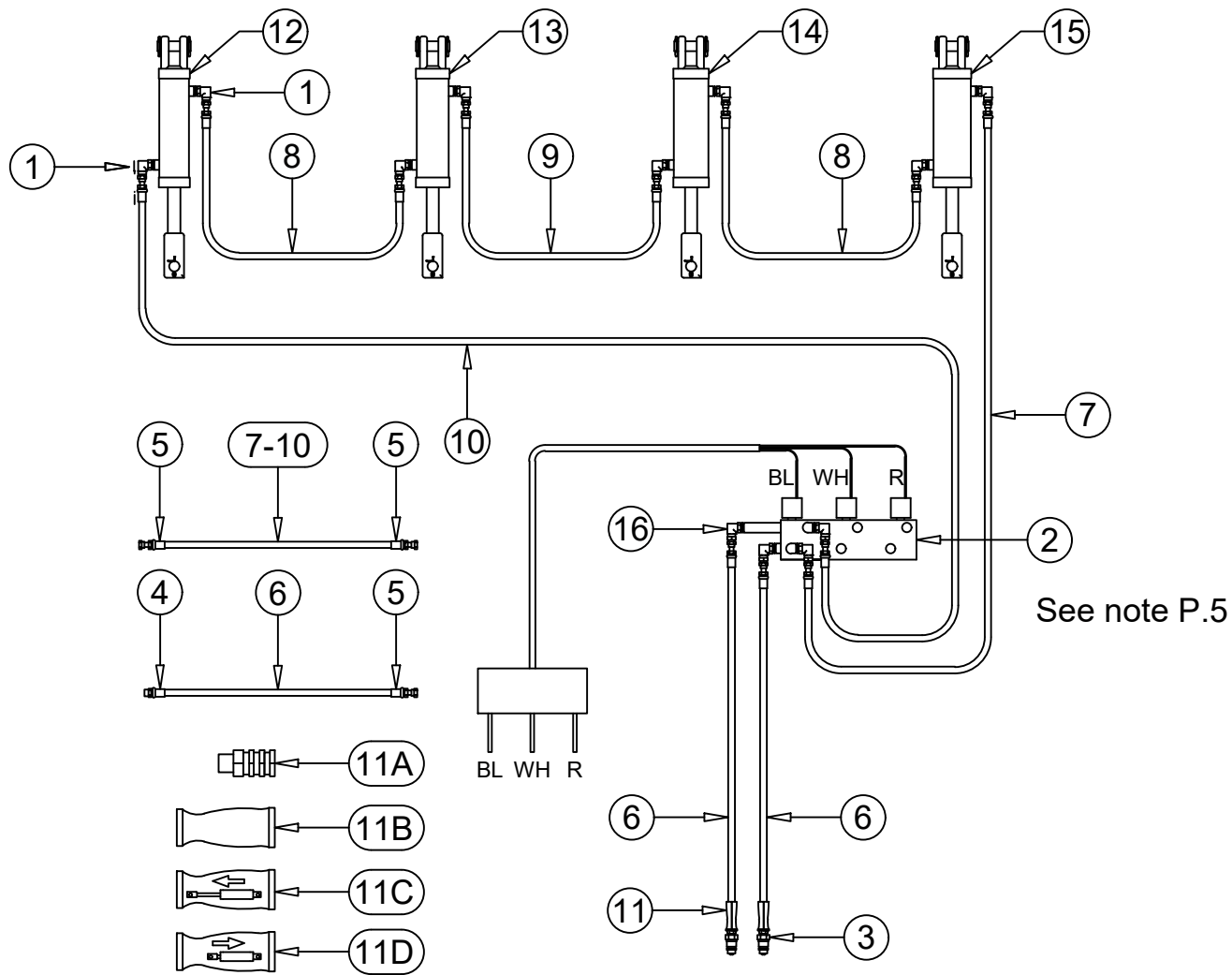


*Hydraulics may differ from picture. Inquire if further information required.

**Warranty void if cylinders disassembled.

| S4020: Hydraulic Schematic, Tool Bars, Front | | | S4020: Hydraulic Schematic, Tool Bars, Front | | |
|--|-------------|--|--|-------------|---|
| ITEM | PART NUMBER | DESCRIPTION | ITEM | PART NUMBER | DESCRIPTION |
| 1 | R1802007 | MORFS 6 to MORB 8, 90 Degree | 9 | Inquire | Hose, Hydraulic, Complete: 3/8 - 144 |
| 2 | R1803012 | Valve, Selector, 700-0823-4025 | 10 | Inquire | Hose, Hydraulic, Complete: 3/8 - 204 |
| 3 | R1805001 | Tip, Ball, Male: 1/2" NPT | 11 | R1899013 | Grips, Hose, Hydraulic: 1/2" NPT - Yellow |
| 4 | R1804002 | Hose Crimp 6 (3/8") to Male NPT 8 (1/2") | 12 | R1920600 | Cylinder, Repr: 2.75" x 6" - 16.25" Ret. |
| 5 | R1804006 | Hose Crimp 6 (3/8") to Female ORFS 6 | 13 | R1930602 | Cylinder, Repr: 3.00" x 6" - 16.25" Ret. |
| 6 | Inquire | Hose, Hydraulic, Complete: 3/8 - 228 | 14 | R1930601 | Cylinder, Repr: 3.25" x 6" - 16.25" Ret. |
| 7 | Inquire | Hose, Hydraulic, Complete: 3/8 - 216 | 15 | R1930600 | Cylinder, Repr: 3.50" x 6" - 16.25" Ret. |
| 8 | Inquire | Hose, Hydraulic, Complete: 3/8 - 127 | 16 | R1802028 | MORFS 6 (3/8") to MORB 6 (3/8") 90 Deg |

Hydraulics: Rear Tool Bars

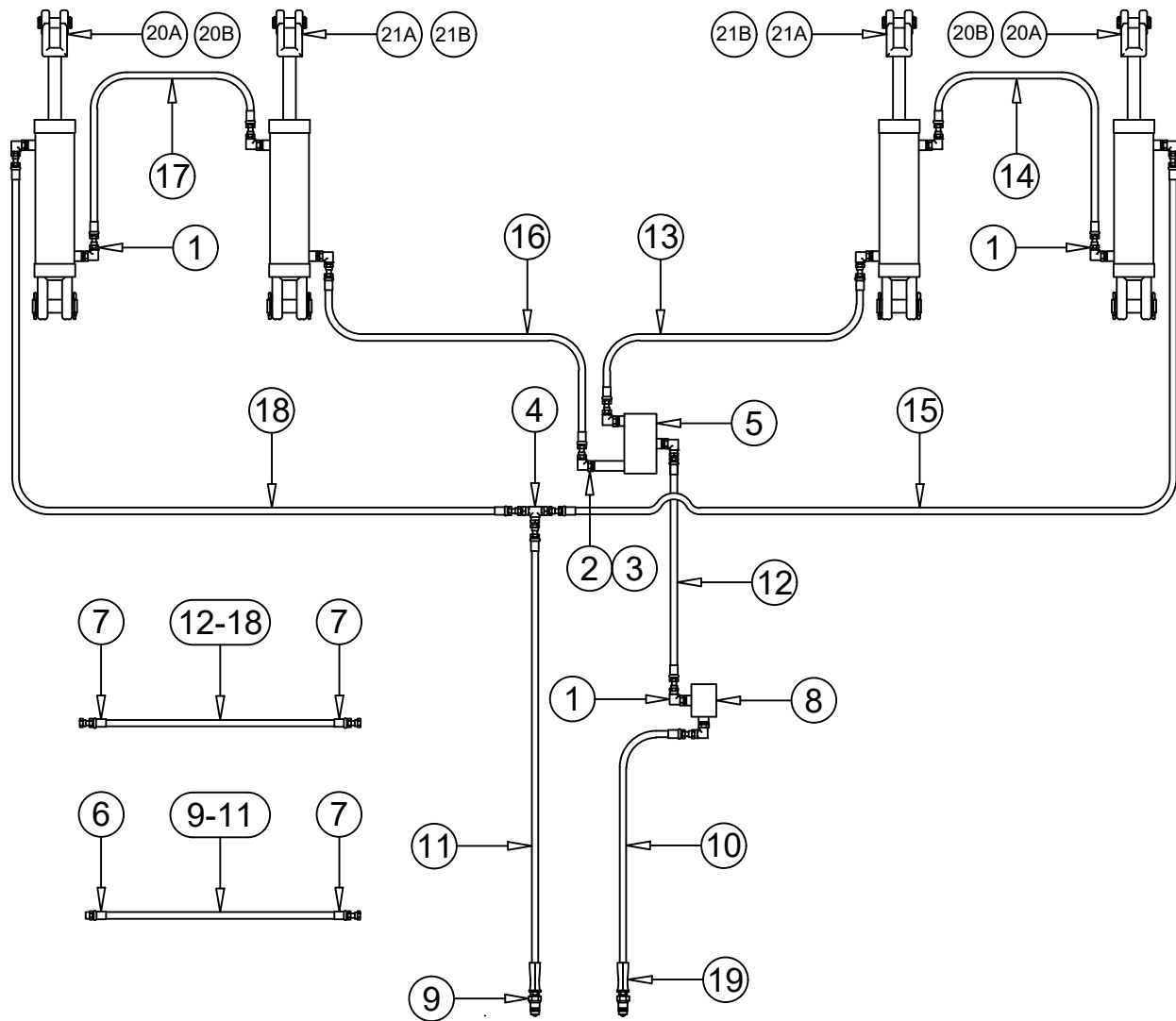


*Hydraulics may differ from picture. Inquire if further information required.

**Warranty void if cylinders disassembled.

| S4020: Hydraulic Schematic, Tool Bars, Rear | | | S4020: Hydraulic Schematic, Tool Bars, Rear | | |
|---|-------------|--|---|-------------|---|
| ITEM | PART NUMBER | DESCRIPTION | ITEM | PART NUMBER | DESCRIPTION |
| 1 | R1802007 | MORFS 6 to MORB 8, 90 Degree | 9 | R1810174 | Hose, Hydraulic, Complete: 3/8 - 174 |
| 2 | R1803012 | Valve, Selector, 700-0823-4025 | 10 | R1810344 | Hose, Hydraulic, Complete: 3/8 - 344 |
| 3 | R1805001 | Tip, Ball, Male: 1/2" NPT | 11 | R1899013 | Grips, Hose, Hydraulic: 1/2" NPT - Yellow |
| 4 | R1804002 | Hose Crimp 6 (3/8") to Male NPT 8 (1/2") | 12 | R1920600 | Cylinder, Repl: 2.75" x 6" - 16.25" Ret. |
| 5 | R1804006 | Hose Crimp 6 (3/8") to Female ORFS 6 | 13 | R1930602 | Cylinder, Repl: 3.00" x 6" - 16.25" Ret. |
| 6 | R1810228 | Hose, Hydraulic, Complete: 3/8 - 228 | 14 | R1930601 | Cylinder, Repl: 3.25" x 6" - 16.25" Ret. |
| 7 | R1810352 | Hose, Hydraulic, Complete: 3/8 - 352 | 15 | R1930600 | Cylinder, Repl: 3.50" x 6" - 16.25" Ret. |
| 8 | R1810144 | Hose, Hydraulic, Complete: 3/8 - 144 | 16 | R1802028 | MORFS 6 (3/8") to MORB 6 (3/8") 90 Deg |

Hydraulics: Wheel Lift - Option A

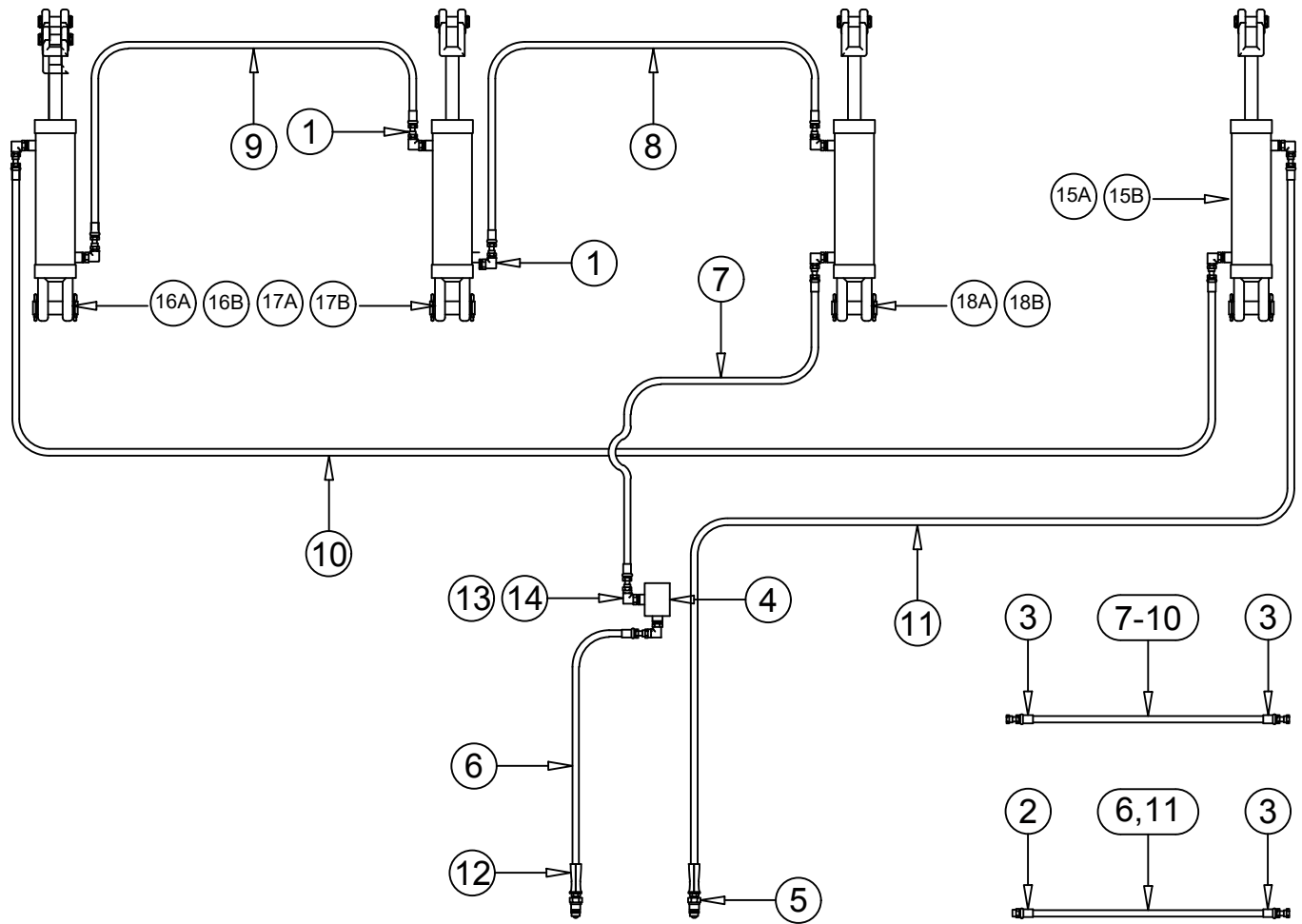


*Hydraulics may differ from picture. Inquire if further information required.

**Warranty void if cylinders disassembled.

| S4020: Hydraulic Schematic, Wheels | | | S4020: Hydraulic Schematic, Wheels | | |
|------------------------------------|-------------|--------------------------------------|------------------------------------|-------------|---|
| ITEM | PART NUMBER | DESCRIPTION | ITEM | PART NUMBER | DESCRIPTION |
| 1 | R1802007 | Elbow 90: MORFS 6 to MORB 8 | 12 | Inquire | Hose, Hydraulic: 3/8 - 234 |
| 2 | R1802015 | Elbow 90: FPTX 6 to MORB 10 | 13 | Inquire | Hose, Hydraulic: 3/8 - 101 |
| 3 | R1802061 | Adapter: MPT 6 to MORFS 6 | 14 | Inquire | Hose, Hydraulic: 3/8 - 156 |
| 4 | R1802031 | Tee: 6MORFS - 6MORFS - 6MORFS | 15 | Inquire | Hose, Hydraulic: 3/8 - 210 |
| 5 | R1803002 | Flow Divider: 2-Way | 16 | Inquire | Hose, Hydraulic: 3/8 - 096 |
| 6 | R1804002 | Hose Crimp 6 (3/8") to MNPT 8 (1/2") | 17 | Inquire | Hose, Hydraulic: 3/8 - 156 |
| 7 | R1804006 | Hose Crimp 6 (3/8") to FORFS 6 | 18 | Inquire | Hose, Hydraulic: 3/8 - 214 |
| 8 | R1803001 | Valve, Depth Control | 19 | R1899011 | Grips, Hose, Hydraulic: 1/2" NPT - Green |
| 9 | R1805001 | Tip, Ball, Male: 1/2" NPT | 20A | R1941207-01 | Cylinder, Repr: 4.25" x 12", 22-1/4" Ret. |
| 10 | Inquire | Hose, Hydraulic: 3/8 - 406 | 20B | R1941209 | Cylinder, Repr: 4.75" x 12", 22-1/4" Ret. |
| 11 | Inquire | Hose, Hydraulic: 3/8 - 288 | 21A | R1951208-01 | Cylinder, Repr: 4.50" x 12", 22-1/4" Ret. |
| | | | 21B | R1951206 | Cylinder, Repr: 5" x 12", 22-1/4" Ret. |

Hydraulics: Wheel Lift - Option B

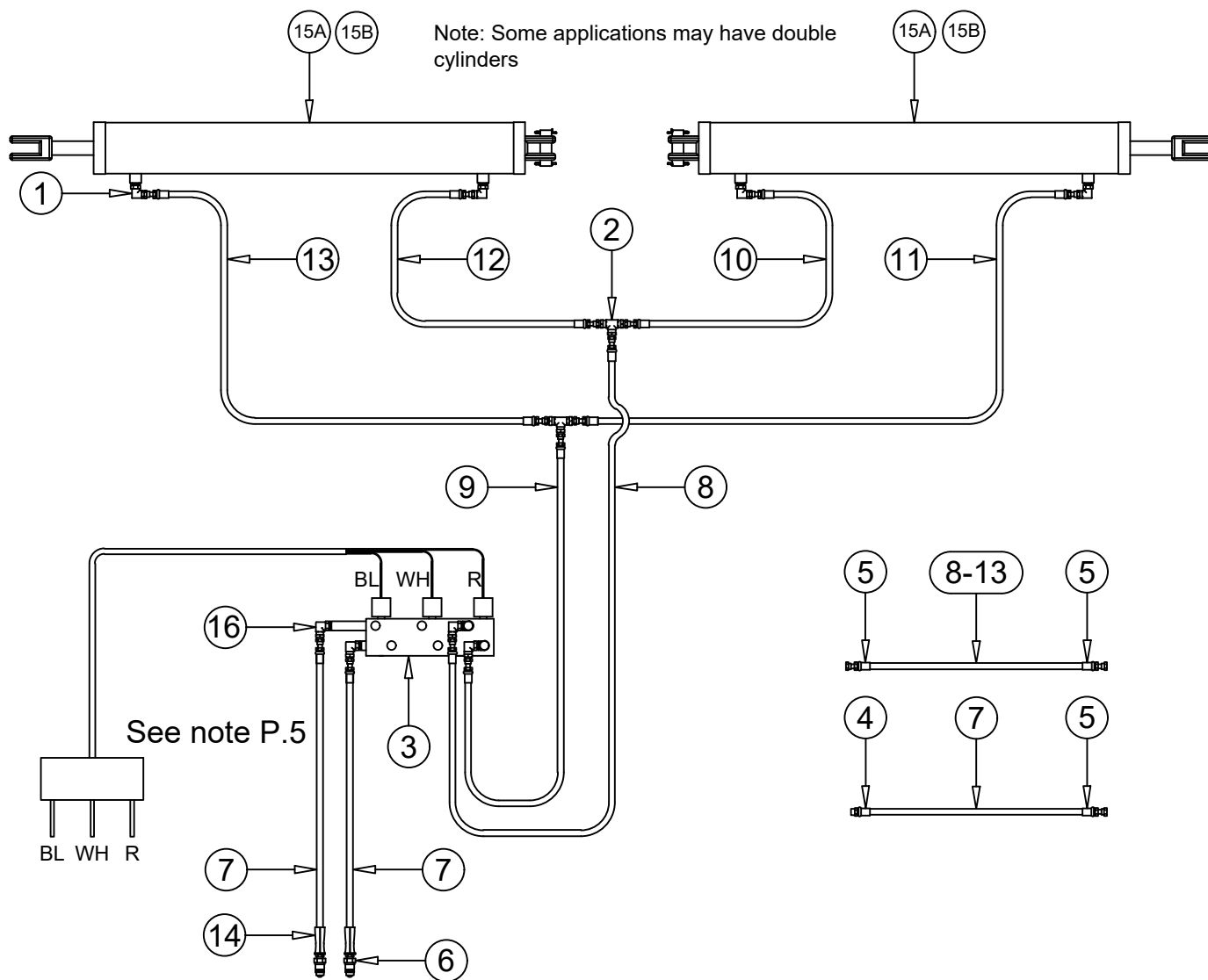


*Hydraulics may differ from picture. Inquire if further information required.

**Warranty void if cylinders disassembled.

| S4020: Hydraulic Schematic, Wheels | | | S4020: Hydraulic Schematic, Wheels | | |
|------------------------------------|-------------|--------------------------------------|------------------------------------|-------------|---|
| ITEM | PART NUMBER | DESCRIPTION | ITEM | PART NUMBER | DESCRIPTION |
| 1 | R1802007 | Elbow 90: MORFS 6 to MORB 8 | 12 | R1899011 | Grips, Hose, Hydraulic: 1/2" NPT - Green |
| 2 | R1804002 | Hose Crimp 6 (3/8") to MNPT 8 (1/2") | 13 | R1802015 | Elbow 90: FPTX 6 to MORB 10 |
| 3 | R1804006 | Hose Crimp 6 (3/8") to FORFS 6 | 14 | R1802061 | Adapter: MPT 6 to MORFS 6 |
| 4 | R1803001 | Valve, Depth Control | 15A | R1931205-01 | Cylinder, Re-ph: 3.75" x 12", 22-1/4" Ret. |
| 5 | R1805001 | Tip, Ball, Male: 1/2" NPT | 15B | R1941207-01 | Cylinder, Re-ph: 4.25" x 12", 22-1/4" Ret. |
| 6 | Inquire | Hose, Hydraulic: 3/8 | 16A | R1941206-01 | Cylinder, Re-ph: 4" x 12", 22-1/4" Ret. |
| 7 | Inquire | Hose, Hydraulic: 3/8 | 16B | R1951208-01 | Cylinder, Re-ph: 4.50" x 12", 22-1/4" Ret. |
| 8 | Inquire | Hose, Hydraulic: 3/8 | 17A | R1941207-01 | Cylinder, Re-ph: 4.25" x 12", 22-1/4" Ret. |
| 9 | Inquire | Hose, Hydraulic: 3/8 | 17B | R1941209 | Cylinder, Re-ph: 4.75" x 12" - 22-1/4" Ret. |
| 10 | Inquire | Hose, Hydraulic: 3/8 | 18A | R1941208-01 | Cylinder, Re-ph: 4.50" x 12", 22-1/4" Ret. |
| 11 | Inquire | Hose, Hydraulic: 3/8 | 18B | R1951206 | Cylinder, Re-ph: 5" x 12", 22-1/4" Ret. |

Hydraulics: Wing Lift

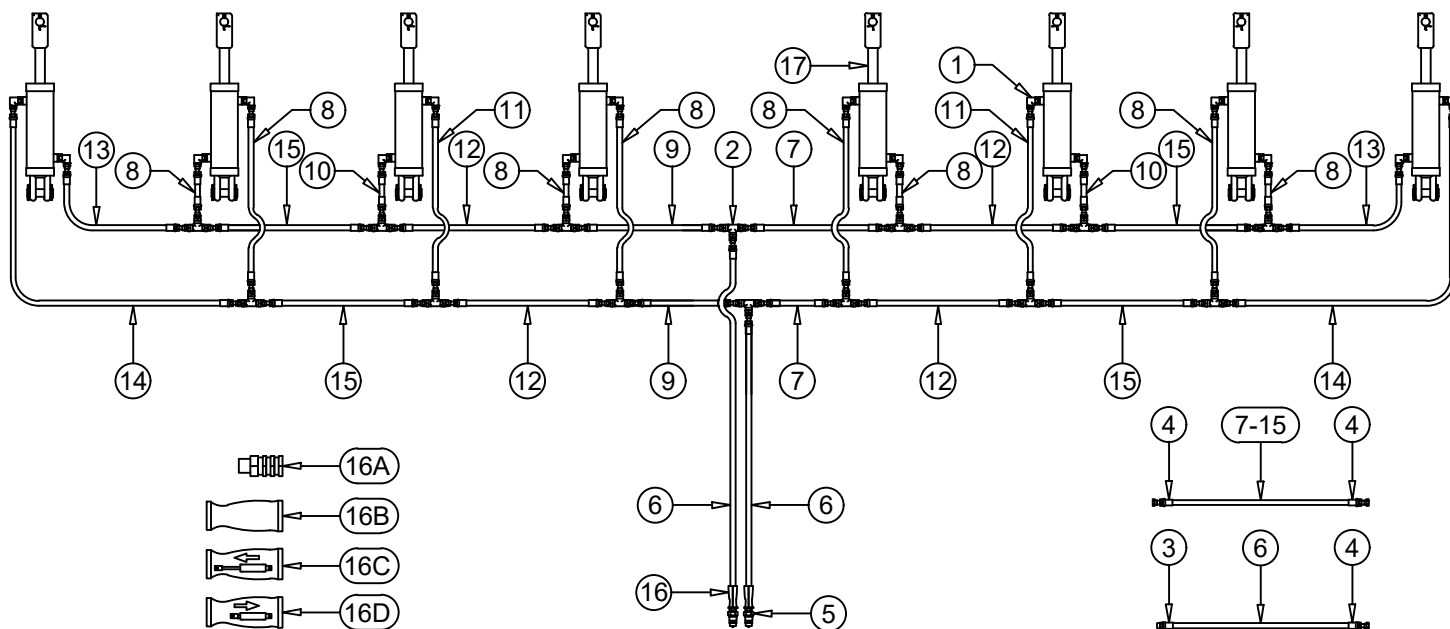


*Hydraulics may differ from picture. Inquire if further information required.

**Warranty void if cylinders disassembled.

| S4020: Hydraulic Schematic, Wings | | | S4020: Hydraulic Schematic, Wings | | |
|-----------------------------------|-------------|--------------------------------------|-----------------------------------|-------------|---|
| ITEM | PART NUMBER | DESCRIPTION | ITEM | PART NUMBER | DESCRIPTION |
| 1 | R1802007 | MORFS 6 to MORB 8, 90 Degrees | 9 | Inquire | Hose, Hydraulic: 3/8 - 53 |
| 2 | R1802031 | MORFS 6 to MORFS 6 to MORFS 6 Tee | 10 | Inquire | Hose, Hydraulic: 3/8 - 48 |
| 3 | R1803012 | Valve, Selector, 700-0823-4025 | 11 | Inquire | Hose, Hydraulic: 3/8 - 84 |
| 4 | R1804002 | Hose Crimp 6 (3/8") to MNPT 8 (1/2") | 12 | Inquire | Hose, Hydraulic: 3/8 - 42 |
| 5 | R1804006 | Hose Crimp 6 (3/8") to FORFS 6 | 13 | Inquire | Hose, Hydraulic: 3/8 - 78 |
| 6 | R1805001 | Tip, Ball, Male: 1/2" NPT | 14 | R1899013 | Grips, Hose, Hydraulic: 1/2" NPT - Yellow |
| 7 | Inquire | Hose, Hydraulic: 3/8 - 228 | 15A | R1953401 | Cylinder: 5" x 34" |
| 8 | Inquire | Hose, Hydraulic: 3/8 - 56 | 15B | R1963401 | Cylinder: 6" x 34" |
| | | | 16 | R1802028 | MORFS 6 (3/8") to MORB 6 (3/8") 90 Deg |

Hydraulics: Rolling Baskets



*Hydraulics may differ from picture. Inquire if further information required.

**Warranty void if cylinders disassembled.

| S4020: Hydraulic Schematic, Rolling Baskets | | | S4020: Hydraulic Schematic, Rolling Baskets | | |
|---|-------------|---|---|-------------|--|
| ITEM | PART NUMBER | DESCRIPTION | ITEM | PART NUMBER | DESCRIPTION |
| 1 | R1802045 | MORFS 6 to MORB 8, 90 Degree Restrictor | 10 | Inquire | Hose, Hydraulic: 3/8 - 32 |
| 2 | R1802031 | MORFS 6 to MORFS 6 to MORFS 6 Tee | 11 | Inquire | Hose, Hydraulic: 3/8 - 34 |
| 3 | R1804002 | Hose Crimp 6 (3/8") to MNPT 8 (1/2") | 12 | Inquire | Hose, Hydraulic: 3/8 - 40 |
| 4 | R1804006 | Hose Crimp 6 (3/8") to FORFS 6to MORFS | 13 | Inquire | Hose, Hydraulic: 3/8 - 66 |
| 5 | R1805001 | Tip, Ball, Male: 1/2" NPT | 14 | Inquire | Hose, Hydraulic: 3/8 - 70 |
| 6 | Inquire | Hose, Hydraulic: 3/8 - 372 | 15 | Inquire | Hose, Hydraulic: 3/8 - 71 |
| 7 | Inquire | Hose, Hydraulic: 3/8 - 18 | 16 | R1899012 | Grips, Hose, Hydraulic: 1/2" NPT - Red |
| 8 | Inquire | Hose, Hydraulic: 3/8 - 22 | 17 | R1930300 | Cylinder, Tie-Rod: 3" x 3" |
| 9 | Inquire | Hose, Hydraulic: 3/8 - 25 | | | |

